

# Matrix 320™

## PRODUCT REFERENCE GUIDE



Image Based Industrial Reader

## **Datalogic S.r.l.**

Via S. Vitalino, 13  
40012 Calderara di Reno (BO)  
Italy  
Tel. +39 051 3147011  
Fax +39 051 3147205

### **© 2020 Datalogic S.p.A. and /or its affiliates**

All rights reserved. Without limiting the rights under copyright, no part of this documentation may be reproduced, stored in or introduced into a retrieval system, or transmitted in any form or by any means, or for any purpose, without the express written permission of Datalogic S.p.A. and/or its affiliates.

Owners of Datalogic products are hereby granted a non-exclusive, revocable license to reproduce and transmit this documentation for the purchaser's own internal business purposes. Purchaser shall not remove or alter any proprietary notices, including copyright notices, contained in this documentation and shall ensure that all notices appear on any reproductions of the documentation.

Electronic versions of this document may be downloaded from the Datalogic website ([www.datalogic.com](http://www.datalogic.com)). If you visit our website and would like to make comments or suggestions about this or other Datalogic publications, please let us know via the "Contact" page.

### **Disclaimer**

Datalogic has taken reasonable measures to provide information in this manual that is complete and accurate, however, Datalogic shall not be liable for technical or editorial errors or omissions contained herein, nor for incidental or consequential damages resulting from the use of this material. Datalogic reserves the right to change any specification at any time without prior notice.

### **Trademarks**

Datalogic and the Datalogic logo are registered trademarks of Datalogic S.p.A. in many countries, including the U.S.A. and the E.U.

Matrix 320, ID-NET, DL.CODE, and X-PRESS are trademarks of Datalogic S.p.A. and/or its affiliates. All other trademarks and brands are property of their respective owners.

### **Patents**

See [www.patents.datalogic.com](http://www.patents.datalogic.com) for patent list.

This product is covered by one or more of the following patents:

Utility patents: EP1172756B1, EP2517148B1, EP2616988B1, EP2649555B1, EP3016028B1, EP3092597B1, IT1404187, JP5947819B2, US10229301, US6808114, US6877664, US6997385, US7387246, US7433590, US7433590, US8245926, US8888003, US8915443, US9122939, US9349047, US9361503, US9798948, US10133895, US10229301, US10540532, ZL200980163411.X, ZL201080071124.9, ZL201180044793.1, ZL201280010789.8



# CONTENTS

---

<b>PREFACE</b> .....	<b>VII</b>
<b>About this Manual</b> .....	<b>vii</b>
Manual Conventions .....	vii
<b>Technical Support</b> .....	<b>vii</b>
Support Through the Website .....	vii
Reseller Technical Support .....	viii
.....	<b>viii</b>
<b>COMPLIANCE</b> .....	<b>IX</b>
<b>General</b> .....	<b>ix</b>
<b>Power Supply</b> .....	<b>ix</b>
<b>EMC Compliance</b> .....	<b>ix</b>
<b>CE Compliance</b> .....	<b>ix</b>
<b>Laser Safety</b> .....	<b>x</b>
<b>LED Safety</b> .....	<b>x</b>
<b>HANDLING</b> .....	<b>XI</b>
<b>GENERAL VIEW</b> .....	<b>XIII</b>
<b>Matrix 320 with 14 LEDs Illuminator</b> .....	<b>xiii</b>
<b>Matrix 320 with 36 LEDs Illuminator</b> .....	<b>xiv</b>
<b>RAPID CONFIGURATION</b> .....	<b>1</b>
<b>Step 1 - Connect the System</b> .....	<b>1</b>
CBX100/CBX500 Pinout for Matrix 320 .....	2
<b>Step 2 - Mount and Position the Reader</b> .....	<b>3</b>
<b>Step 3 - Aim and Autofocus the reader</b> .....	<b>4</b>
<b>Step 4 - X-PRESS Configuration</b> .....	<b>5</b>
Aim .....	5
Setup .....	5
Learn .....	6
Reset Reader to Factory Default Environment (Optional) .....	7
<b>Step 5 - Installing DL.CODE Configuration Program</b> .....	<b>8</b>
Ethernet Device Discovery .....	9
<b>Step 6 - Device Configuration</b> .....	<b>12</b>
Automatic or Advanced Setup .....	12
Automatic Setup .....	13
Advanced Setup for Software Adjustable Focus Models (Liquid Lens) .....	15
Reading Phase .....	22
Good Read Setup .....	23
Data Formatting .....	24
Output Setup .....	25
<b>Step 7 - Test Mode</b> .....	<b>26</b>
<b>Advanced Reader Configuration</b> .....	<b>27</b>
Host Mode Programming .....	27
<b>INTRODUCTION</b> .....	<b>28</b>
<b>Product Description</b> .....	<b>28</b>
Standard Application Program .....	29
Programmability .....	29
Excellent Performance .....	29

Ease of Setup and Use .....	29
Flexible Solution .....	30
Connectivity .....	30
Industrial Strength .....	30
<b>Indicators and Keypad Button .....</b>	<b>32</b>
<b>Green/Red Spot and 360° Visual Feedback .....</b>	<b>33</b>
<b>ID-NET .....</b>	<b>34</b>
<b>X-PRESS Human Machine Interface .....</b>	<b>36</b>
X-PRESS Functions .....	37
Test Mode .....	37
Aim/Autofocus .....	38
Setup .....	38
Learn .....	38
Diagnostic Indication .....	39
<b>Model Description .....</b>	<b>39</b>
<b>Available Models .....</b>	<b>40</b>
<b>Accessories .....</b>	<b>40</b>
<b>Application Examples .....</b>	<b>42</b>
Document Handling .....	42
Multiple Reading in a Single Image .....	43
Deformed or Overprinted Code Reading .....	43
Direct Part Marking .....	44
Ink-Jet Printing Technology .....	44
Laser Marking/Etching Technology .....	45
High Dynamic Range (HDR) feature .....	46
<b>INSTALLATION.....</b>	<b>49</b>
<b>Package Contents .....</b>	<b>49</b>
<b>Mechanical Dimensions .....</b>	<b>50</b>
<b>Mounting And Positioning Matrix 320 .....</b>	<b>54</b>
Mounting the BK-32-00 Standard Fix Bracket .....	55
Mounting the BK-32-010 Pivot Fix Bracket .....	56
Compact Mounting .....	56
Extended Mounting .....	57
<b>CBX ELECTRICAL CONNECTIONS .....</b>	<b>60</b>
<b>CBX Connection Box Pinout .....</b>	<b>61</b>
<b>CAB-DS0x-S Pinout .....</b>	<b>62</b>
<b>Power Supply .....</b>	<b>63</b>
<b>Main Serial Interface .....</b>	<b>64</b>
RS232 Interface .....	64
RS422 Full Duplex Interface .....	65
<b>ID-NET Interface .....</b>	<b>66</b>
ID-NET Cables .....	66
ID-NET Response Time .....	67
ID-NET Network Termination .....	68
ID-NET Connection Diagrams .....	68
<b>Auxiliary RS232 Interface .....</b>	<b>71</b>
<b>Inputs .....</b>	<b>72</b>
External Trigger Input Connections Using Matrix 320 Power .....	73
External Trigger Input Connections Using External Power .....	75
Input 2 Connections Using Matrix 320 Power .....	76
Input 2 Connections Using External Power .....	77
Input 3 Connections (CBX500 Only) .....	77
<b>Outputs .....</b>	<b>78</b>
Output 1 and 2 Connections Using Matrix 320 Power .....	79
Output 1 and 2 Connections Using External Power .....	80
Output 3 Connections Using Matrix 320 Power (CBX500 Only) .....	81
Output 3 Connections Using External Power (CBX500 Only) .....	81
<b>On-Board Ethernet Interface .....</b>	<b>82</b>
<b>User Interface - Serial Host .....</b>	<b>82</b>

<b>TYPICAL LAYOUTS</b> .....	<b>83</b>
<b>Ethernet Connection</b> .....	<b>84</b>
<b>Serial Connection</b> .....	<b>86</b>
<b>Fieldbus Connection</b> .....	<b>87</b>
<b>Pass-Through</b> .....	<b>88</b>
<b>ID-NET Multidata Network (Pass-Through)</b> .....	<b>89</b>
<b>ID-NET Synchronized Network</b> .....	<b>90</b>
<b>READING FEATURES</b> .....	<b>91</b>
<b>FOV Calculation</b> .....	<b>91</b>
<b>Global FOV Diagrams</b> .....	<b>92</b>
Global FOV for Matrix 320 LQL-9 .....	93
Global FOV for Matrix 320 LQL-16 .....	94
<b>Maximum Line Speed and Exposure Time Calculations</b> .....	<b>95</b>
<b>SOFTWARE CONFIGURATION</b> .....	<b>97</b>
<b>DL.CODE System Requirements</b> .....	<b>97</b>
<b>Reader Configuration</b> .....	<b>98</b>
Auto-Calibration .....	99
Manual Calibration .....	100
Under-exposure .....	100
Over-exposure .....	101
Moving code out of the Field of View .....	102
<b>Multi Image Acquisition Settings</b> .....	<b>103</b>
Automatic Image Settings Selection .....	104
External Image Settings Selection .....	105
<b>Extending DOF with Automatic Image Settings Selection (Cycle All In Same Phase) for Liquid Lens Models</b> .....	<b>107</b>
<b>Extending DOF with Automatic Image Settings Selection Sequence (Input Select) for Liquid Lens Models</b> .....	<b>108</b>
<b>Image Cropping</b> .....	<b>110</b>
<b>Direct Part Marking Applications</b> .....	<b>113</b>
Image Filter .....	114
<b>Pass-Through Configurations</b> .....	<b>118</b>
<b>Internal Network Configurations</b> .....	<b>120</b>
Master Configuration .....	121
Multidata ID-NET Network Configurations .....	123
Synchronized ID-NET Network Configurations .....	128
Verify Master/Slave Synchronized Configuration .....	132
<b>Backup and Restore Through DL.CODE</b> .....	<b>135</b>
Backup .....	136
Restore .....	137
Replacement .....	137
<b>Restore Defaults</b> .....	<b>138</b>
Restore Default Environment .....	138
Restore Default Startup Configuration .....	139
Restore Factory Defaults .....	139
<b>Diagnostic Alarms</b> .....	<b>140</b>
<b>Statistics</b> .....	<b>141</b>
<b>BM150 Display Module Configuration and Messages</b> .....	<b>142</b>
Configuration Through DL.CODE .....	142
Accessing the HMI Interface Through Keypad and Display Menu .....	143
Display Messages .....	145
BM150 Backup and Restore Procedure .....	148
<b>ILLUMINATORS</b> .....	<b>149</b>
<b>Standard Illuminators</b> .....	<b>149</b>
14 LEDs Illuminator .....	149
36 LEDs Illuminator .....	150
<b>Polarizer</b> .....	<b>151</b>
<b>Direct Part Marking Applications</b> .....	<b>154</b>
<b>Matrix 320 Recommended Illumination</b> .....	<b>155</b>
Color Contrast Considerations .....	156

- MAINTENANCE ..... 158**
  - Cleaning ..... 158
- TROUBLESHOOTING ..... 159**
  - General Guidelines ..... 159
- TECHNICAL FEATURES ..... 162**
- ALTERNATIVE CONNECTIONS..... 166**
  - Power, Com and I/O Connector for Standard Models ..... 166
  - On-Board Ethernet Connector ..... 167
  - ID-NET Network Termination ..... 167
  - Inputs ..... 168
  - Outputs ..... 168
  - User Interface - Serial Host ..... 170
- GLOSSARY ..... 171**

# PREFACE

---

## ABOUT THIS MANUAL

This Product Reference Guide (PRG) is provided for users seeking advanced technical information, including connection, programming, maintenance and specifications. The Quick Reference Guide (QRG) and other publications associated with this product can be downloaded free of charge from the website listed on the back cover of this manual.

## Manual Conventions

The following conventions are used in this document:

The symbols listed below are used in this manual to notify the reader of key issues or procedures that must be observed when using the reader:



**NOTE**

**Notes contain information necessary for properly diagnosing, repairing and operating the reader.**



**CAUTION**

**The CAUTION symbol advises you of actions that could damage equipment or property.**




**WARNING**

**The WARNING symbol advises you of actions that could result in harm or injury to the person performing the task.**

## TECHNICAL SUPPORT

### Support Through the Website

Datalogic provides several services as well as technical support through its website. Log on to ([www.datalogic.com](http://www.datalogic.com)).

For quick access, from the home page click on the search icon , and type in the name of the product you're looking for. This allows you access to download Data Sheets, Manuals, Software & Utilities, and Drawings.

Hover over the Support & Service menu for access to Services and Technical Support.

## Reseller Technical Support

An excellent source for technical assistance and information is an authorized Datalogic reseller. A reseller is acquainted with specific types of businesses, application software, and computer systems and can provide individualized assistance.

# COMPLIANCE

---

## GENERAL

For installation, use and maintenance it is not necessary to open the reader.

Only connect Ethernet and dataport connections to a network which has routing only within the plant or building and no routing outside the plant or building.

## POWER SUPPLY

ATTENTION: READ THIS INFORMATION BEFORE INSTALLING THE PRODUCT

This product is intended to be installed by **Qualified Personnel** only.

This product is intended to be connected to a UL Listed Direct Plug-in Power Unit marked LPS or "Class 2".

## EMC COMPLIANCE

In order to meet the EMC requirements:

- connect reader chassis to the plant earth ground by means of a flat copper braid shorter than 100 mm;
- for CBX connections, connect pin "Earth" to a good Earth Ground;
- for direct connections, connect your cable shield to the locking ring nut of the connector.

## CE COMPLIANCE

CE marking states the compliance of the product with essential requirements listed in the applicable European directive. Since the directives and applicable standards are subject to continuous updates, and since Datalogic promptly adopts these updates, therefore the EU declaration of conformity is a living document. The EU declaration of conformity is available for competent authorities and customers through Datalogic commercial reference contacts. Since April 20th, 2016 the main European directives applicable to Datalogic products require inclusion of an adequate analysis and assessment of the risk(s). This evaluation was carried out in relation to the applicable points of the standards listed in the Declaration of Conformity. Datalogic products are mainly designed for integration purposes into more complex systems. For this reason it is under the responsibility of the system integrator to do a new risk assessment regarding the final installation.

**Warning:** This is a Class A product. In a domestic environment this product may cause radio interference in which case the user may be required to take adequate measures.



## LASER SAFETY

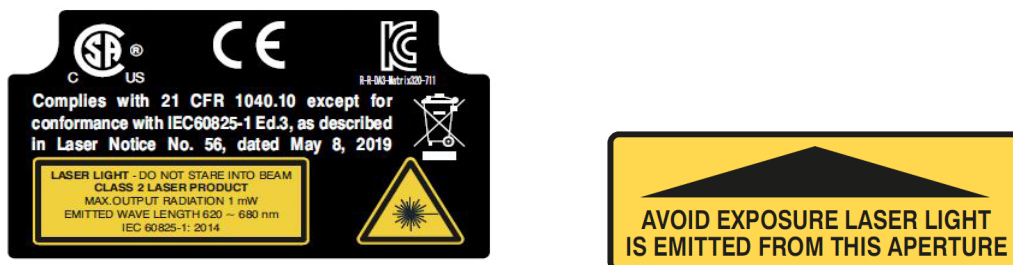
This product conforms to the applicable requirements of IEC 60825-1 and complies with 21 CFR 1040.10 except for deviations pursuant to Laser Notice N° 56, date May 8, 2019. This product is classified as a Class 2 laser product according to IEC 60825-1 regulations.



**Use of controls or adjustments or performance of procedures other than those specified herein may result in exposure to hazardous visible laser light.**

Disconnect the power supply when opening the device during maintenance or installation to avoid exposure to hazardous laser light. The laser beam can be switched on or off through a software command.

The following warning label content is applied to each of the laser equipped products indicated in the General View illustration (Figure 1).



Example Laser Warning Labels

*Produit(s) conforme selon 21CFR 1040.10 sauf des dérogations relatives à la Laser Notice N° 56, du 8 Mai, 2019.*

*Dans le paquet il y a l'étiquette(s) pour les pays où le texte d'avertissement en français est obligatoire. Le(s) mettre sur le produit à la place de la version anglaise.*



Exemple d'étiquettes d'avertissement laser

## LED SAFETY

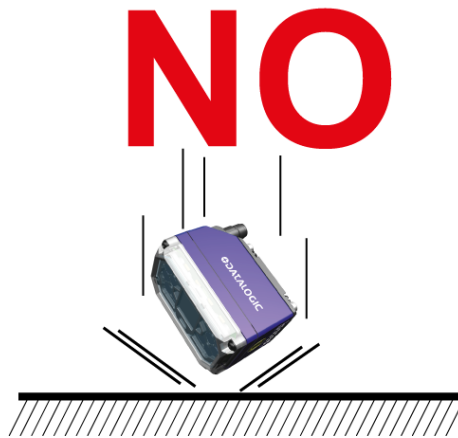
For all Datalogic Matrix 320 compatible internal illuminators, LED emission is classified into Risk Group 1 according to EN 62471:2010.

# HANDLING

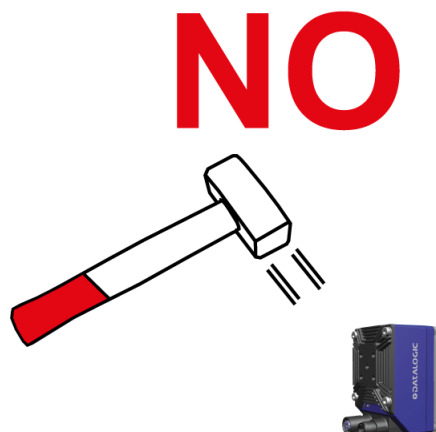
---

Matrix 320 is designed to be used in an industrial environment and is built to withstand vibration and shock when correctly installed, however it is also a precision product and therefore before and during installation it must be handled correctly to avoid damage.

- avoid that the readers are dropped (exceeding shock limits)

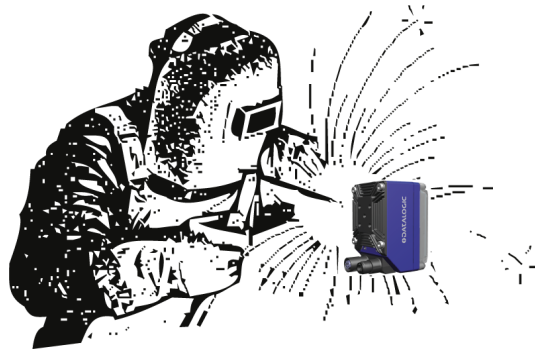


- do not fine tune the positioning by striking the reader or bracket.



- do not weld the reader into position which can cause electrostatic, heat or reading window damage.

**NO**



- do not spray paint near the reader which can cause reading window damage.

**NO**



**Products using liquid lens technology are sensitive to UV light and will be damaged if exposed to UV illumination. Avoid exposing the product to UV light or direct sunlight. If it is not possible to remove UV light sources, the use of anti-UV receiving filter is mandatory to minimize the probability of damage.**

# GENERAL VIEW

Matrix 320 comes with two different illuminators: with 14 LEDs and with 36 LEDs.

## MATRIX 320 WITH 14 LEDs ILLUMINATOR

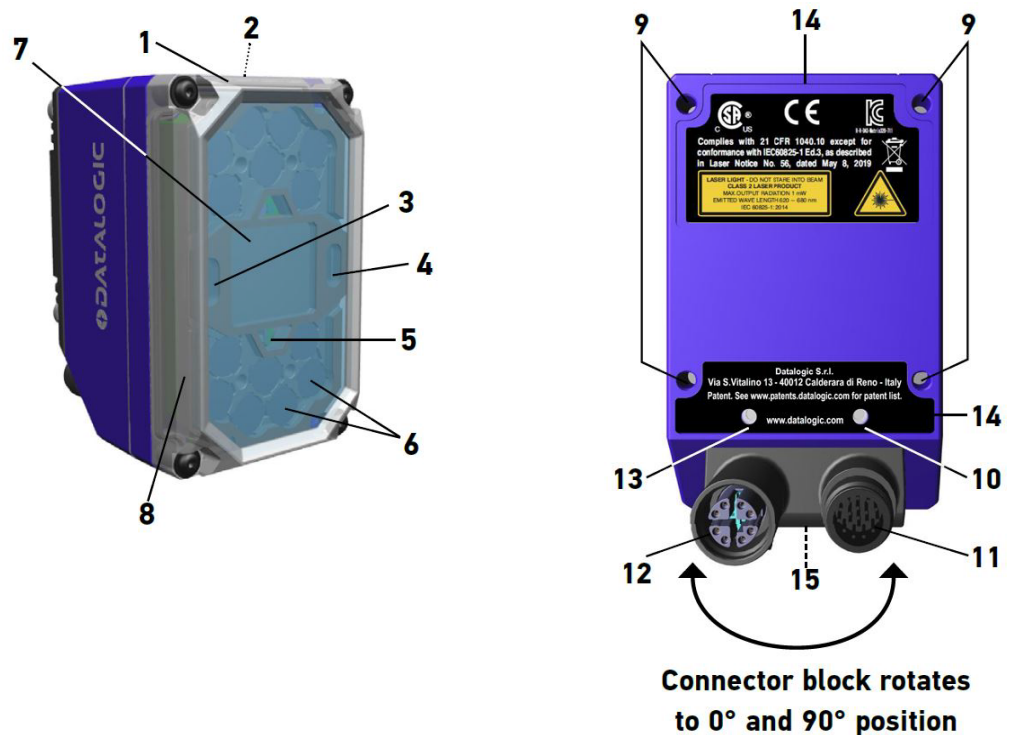


Figure 1 - Matrix 320 with 14 LEDs illuminator

1. Lens Cover	9. Bracket Mounting Holes (4)
2. HMI X-PRESS Interface	10. Ethernet Connection LED
3. Green Spot	11. Power - COM - I/O Connector
4. Red Spot	12. Ethernet Connector
5. Aiming System Laser Pointers	13. Power On LED
6. Internal Illuminator	14. Device Class and Warning Labels
7. Lens	15. Avoid Laser Exit Point Label
8. 360° Feedback	

# MATRIX 320 WITH 36 LEDs ILLUMINATOR

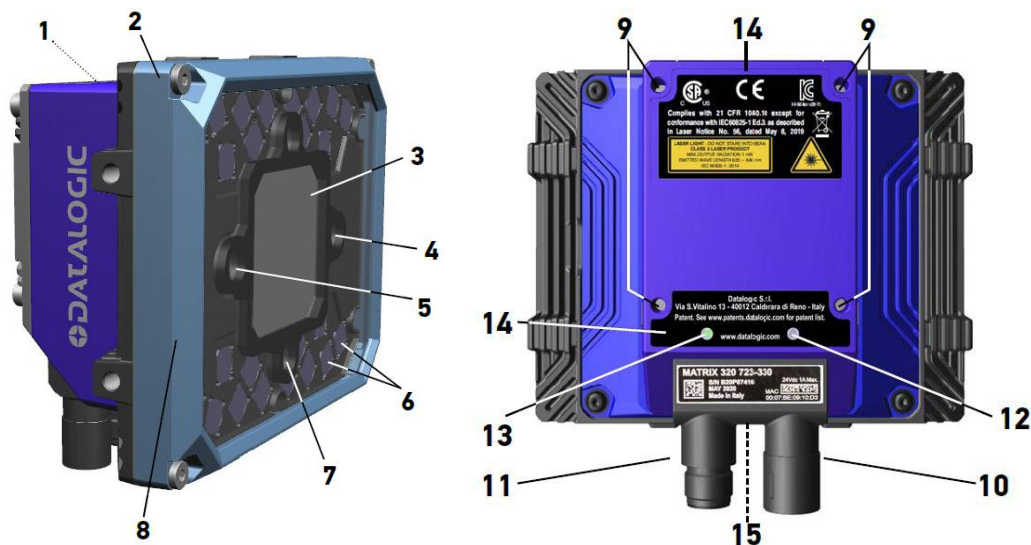


Figure 2 - Matrix 320 with 36 LEDs illuminator

1. HMI X-PRESS Interface	9. Bracket Mounting Holes (4)
2. Lens Cover	10. Ethernet Connector
3. Lens	11. Power - COM - I/O Connector
4. Red Spot	12. Ethernet Connection LED
5. Green Spot	13. Power On LED
6. Internal Illuminator	14. Device Class and Warning Labels
7. Aiming System Laser Pointer	15. Avoid Laser Exit Point Label
8. 360° Feedback	

# CHAPTER 1

## RAPID CONFIGURATION

### STEP 1 - CONNECT THE SYSTEM

To connect the system in a Stand Alone configuration, you need the hardware indicated in Figure 3. In this layout the data is transmitted to the Host on the Ethernet interface. Data can also be transmitted on the RS232 auxiliary interface independently from the main interface selection.

When One Shot or Phase Mode Operating mode is used, the reader is activated by an External Trigger (photoelectric sensor) when the object enters its reading zone.

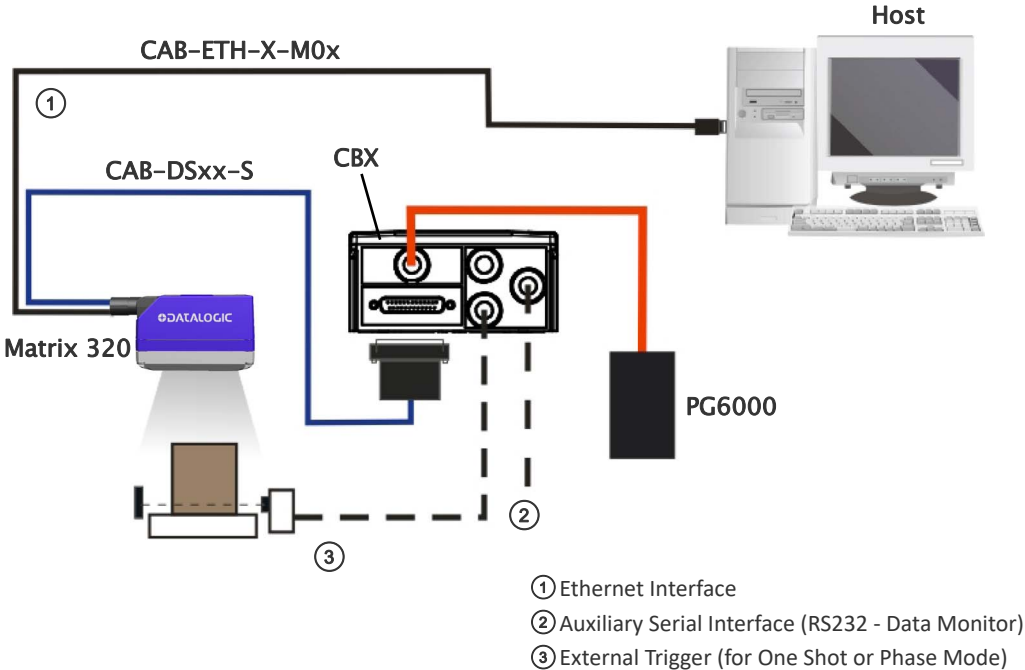


Figure 3 - Matrix 320 in Stand Alone Layout

## CBX100/CBX500 Pinout for Matrix 320

The table below gives the pinout of the CBX100/CBX500 terminal block connectors. Use this pinout when the Matrix 320 reader is connected by means of the CBX100/CBX500:

GROUP	LABEL	DESCRIPTION
Input Power	Vdc	Power Supply Input Voltage +
	GND	Power Supply Input Voltage -
	Earth	Protection Earth Ground
Inputs	+V	Power Source - External Trigger
	I1A	External Trigger A (polarity insensitive)
	I1B	External Trigger B (polarity insensitive)
	-V	Power Reference - External Trigger
	+V	Power Source - Inputs
	I2A	Input 2 A (polarity insensitive)
	I2B	Input 2 B (polarity insensitive)
	-V	Power Reference - Inputs
Outputs	+V	Power Source - Outputs
	-V	Power Reference - Outputs
	O1+	Output 1 +
	O1-	Output 1 -
	O2+	Output 2 +
	O2-	Output 2 -
	O3A	Output 3 - (CBX500 only)
Auxiliary Interface	TX	Auxiliary Interface TX
	RX	Auxiliary Interface RX
	SGND	Auxiliary Interface Reference
ID-NET™	REF	Network Reference
	ID+	ID-NET network data +
	ID-	ID-NET network data -
Main Interface	<b>RS232</b>	<b>RS422 Full Duplex</b>
	TX	TX+
	-	TX-
	RX	*RX+
	-	*RX-
	SGND	SGND

\* Do not leave floating, see "RS422 Full Duplex Interface" on page 65 for connection details.



**CAUTION**

**Do not connect GND, SGND and REF to different (external) ground references. GND, SGND and REF are internally connected through filtering circuitry which can be permanently damaged if subjected to voltage drops over 0.8 Vdc.**



## STEP 2 - MOUNT AND POSITION THE READER

1. To mount the Matrix 320, use the mounting brackets to obtain the most suitable position for the reader. The mounting solutions are provided in "Mounting And Positioning Matrix 320" on page 54.
2. When mounting the Matrix 320 take into consideration these three ideal label position angles: **Pitch or Skew 10° to 20° and Tilt 0°**, although the reader can read a code at any tilt angle provided the code fits into the Field Of View (FOV).

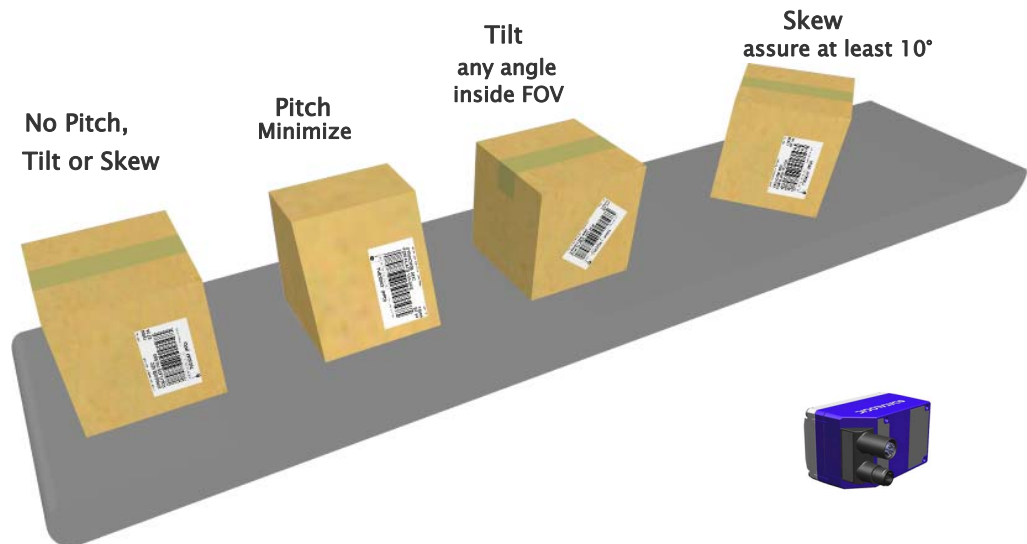


Figure 4 - Pitch, Skew and Tilt Angles

3. Refer to the reading diagrams in [Chapter 6, Reading Features](#) for FOV calculation and minimum distance requirements according to the base/lens combination used for your application.



**NOTE**

Rapid Configuration of the Matrix 320 reader can be made either through the X-PRESS interface (steps 4-6) which requires no PC connection, or by using the DL.CODE Configuration Program (steps 7-8). Select the procedure according to your needs.

## STEP 3 - AIM AND AUTOFOCUS THE READER

Matrix 320 provides a built-in laser pointer aiming system to aid reader positioning. For Liquid Lens models, the autofocus feature is also incorporated into this function. The aiming system is accessed through the X-PRESS Interface.

1. Power the reader on. During the reader startup (reset or restart phase), all the LEDs blink for one second. On the reverse side of the reader near the bracket, the "POWER ON" LED (blue) indicates the reader is correctly powered.



2. Enter the Aim/Autofocus function by pressing and holding the X-PRESS push button until the Aim LED is on.
3. Release the button to enter the Aim function. The laser pointer turns on, and the Autofocus procedure begins. The Aim LED will blink until the procedure is completed.
4. Place the **Grade A Barcode Test Chart** in front of the reader at the correct reading distance for your application (see the Global FOV Diagrams for reference). **The center of the cross is 16 mm (14 LEDs model) or 30 mm (36 LEDs model) under the optical axis**, as shown in Figure 6.

**Within 3 seconds (before the reader flashes), center one of the larger codes on the aiming system pointer (the code must not move during this procedure).**

The Autofocus procedure ends when the Reading Distance and PPI values are successfully saved in the reader memory, the Aim LED will stop blinking and Matrix 320 emits 3 high pitched beeps.

If the Autofocus cannot be reached after a timeout of about 3 (three) minutes, Matrix 320 will exit without saving the parameters to memory, the Aim LED will stop blinking and in this case Matrix 320 emits a long low pitched beep.

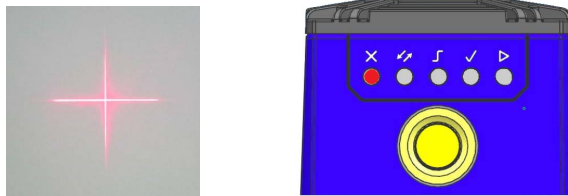


Figure 5 - X-PRESS Interface; Aim/Autofocus Function

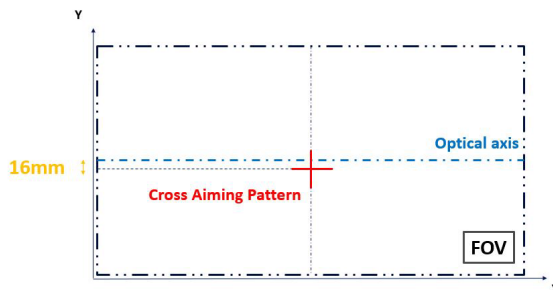
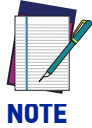


Figure 6 - Cross Laser Pattern



NOTE

You can exit the Aim/Autofocus function at any time by pressing the X-PRESS push button once. After a short delay the Autofocus procedure is canceled and the laser pointer turns off.

## STEP 4 - X-PRESS CONFIGURATION

Once Matrix 320 has calibrated image density, you can configure it for optimal code reading relative to your application. This configuration can be performed either through the X-PRESS Interface or the DL.CODE configuration program.

### Aim

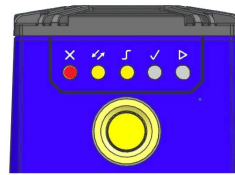


Figure 7 - X-PRESS Interface: Aim Function



1. Enter the Focus function by pressing and holding the X-PRESS push button until the Focus LED is on.
2. Release the button to enter the Focus function.
3. **Select a code from your application.** Position the code at the center of the FOV.
4. Exit the Focus function by pressing the X-PRESS push button once.

### Setup

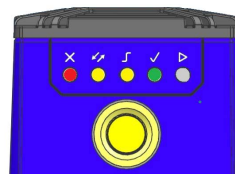


Figure 8 - X-PRESS Interface: Setup Function



5. Enter the Setup function by pressing and holding the X-PRESS push button until the Setup LED is on.
6. Release the button to enter the Setup function. The Setup LED will blink until the procedure is completed.  
The Setup procedure ends when the Image Acquisition parameters are successfully saved in the reader memory, the Setup LED will stop blinking and Matrix 320 emits 3 high pitched beeps.  
If the calibration cannot be reached after a timeout of about 5 (five) seconds Matrix 320 will exit without saving the parameters to memory, the Setup LED will stop blinking and in this case Matrix 320 emits a long low pitched beep.

## Learn

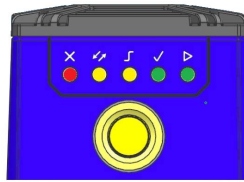
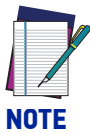


Figure 9 - X-PRESS Interface: Learn Function



7. Enter the Learn function by pressing and holding the X-PRESS push button until the Learn LED is on.
8. Release the button to enter the Learn function. The Learn LED will blink until the procedure is completed.  
The Learn procedure ends when the Image Processing and Decoding parameters for **a single code** are successfully saved in the reader memory, the Green Spot is activated, the Learn LED will stop blinking and Matrix 320 emits 3 high pitched beeps<sup>1</sup>. If the autolearning cannot be reached after a timeout of about 3 (three) minutes Matrix 320 will exit without saving the parameters to memory, the Learn LED will stop blinking and in this case Matrix 320 emits a long low pitched beep.



**The Grade A Barcode Test Chart cannot be used to set the Code 128 symbology (even though the reader successfully reads the code). Use the application specific code if you need to set this symbology.**



**When using X-PRESS or the BM150 menu to perform Auto-Learn, only a single code can be configured (successive Learns will substitute the current code). To configure multiple codes, use the DL.CODE Auto-Learn procedure.**



**You can always exit from any X-PRESS function at any time by pressing the X-PRESS push button once. After a short delay the procedure is canceled.**



**If you have used this procedure to configure Matrix 320, go to step 9.**

1. The Learn procedure will not recognize the following symbologies: Postal Codes, Pharmacode, MSI, Standard 2 of 5, Matrix 2 of 5.

## Reset Reader to Factory Default Environment (Optional)

If it ever becomes necessary to reset the reader's Environment parameters to their factory default values (including the default IP address), you can perform this procedure by holding the X-PRESS push button pressed while powering up the reader.

**You must keep the X-PRESS push button pressed until all LEDs blink simultaneously, then release and re-press the button immediately.** The Matrix 320 will emit a high pitched beep and after a few seconds enters run mode.

Any previously saved configurations on the device will remain in memory, but the Default configuration is set as the startup configuration.



### NOTE

**If you release the button while the LEDs are all on continuously (after the blinking phase), the reader will enter the Loader program sequence and the LEDs will begin to cycle through various patterns. Just cycle power to return to run mode.**

## STEP 5 - INSTALLING DL.CODE CONFIGURATION PROGRAM



### CAUTION

**DL.CODE does not currently support Windows Embedded (often used in industrial PCs and/or PLCs).**

DL.CODE is a Datalogic reader configuration tool providing several important advantages:

- Intuitive Graphical User Interface for rapid configuration
- Defined configuration directly stored in the reader
- Discovery and IP address setting features to facilitate remote configuration
- Device Monitoring

### To install DL.CODE

1. On the PC that will be used for configuration, (running Windows 7, 8.1, or 10), download the DL.CODE mini-DVD.zip file. Extract the files maintaining the folder structure and run the **start.hta** file to access the installation pop-up. Click on the **Install DL.CODE** link to run the installation program and follow the installation procedure.



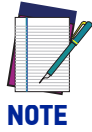
### NOTE

**To perform a “silent” installation (without user input), see the DL.CODE User’s Guide.**

2. When the installation is complete the DL.CODE entry is created in the Start>Programs bar under “Datalogic” as well as a desktop icon. Double-click the desktop icon to run it.

This configuration procedure assumes a laptop computer, running DL.CODE, is connected to a factory default reader through the Ethernet port.

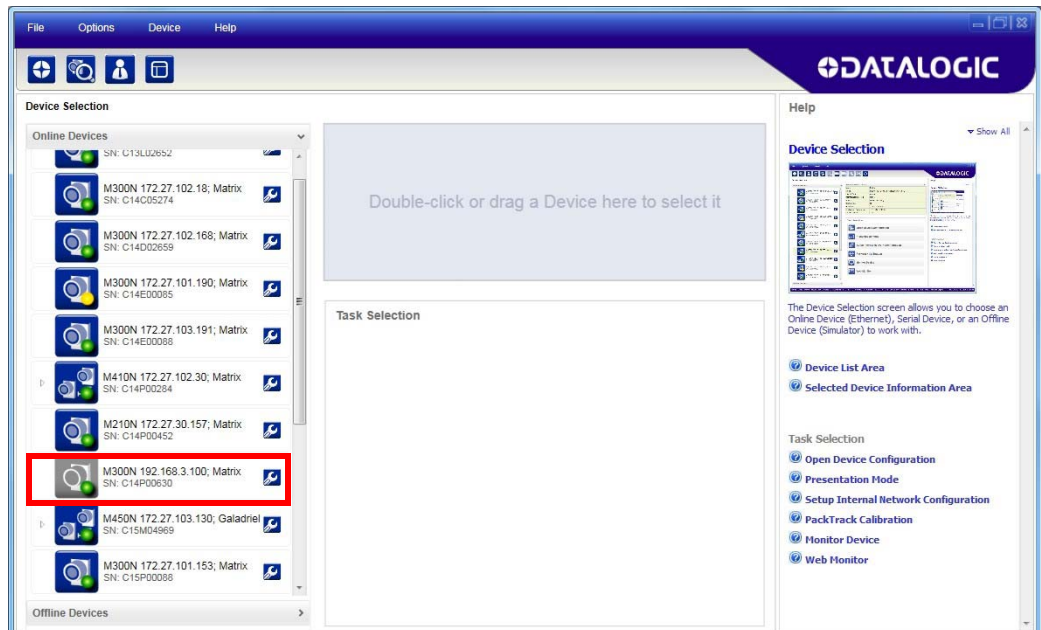
## Ethernet Device Discovery



**NOTE**

To discover models through serial communication instead of Ethernet communication, refer to the DL.CODE User's Manual (par. "Serial Device Discovery").

The User Interface opens and displays a list of all the devices belonging to the Local Area Network. DL.CODE has a discovery feature to accomplish this task.



**Figure 10 - Device Discovery**

The discovery feature will also show devices not belonging to the LAN and display them in gray (see Figure 10).

3. First the device must be added to the LAN by aligning its IP Address to the network. The network administrator should provide valid LAN address(es).



4. Find your device in the list by matching its serial number (SN) then click on the device wrench icon to open the Device Environment Configuration window.

5. Change the Ethernet Settings (IP Address, Subnet Mask, Gateway Address etc.) according to the network requirements.



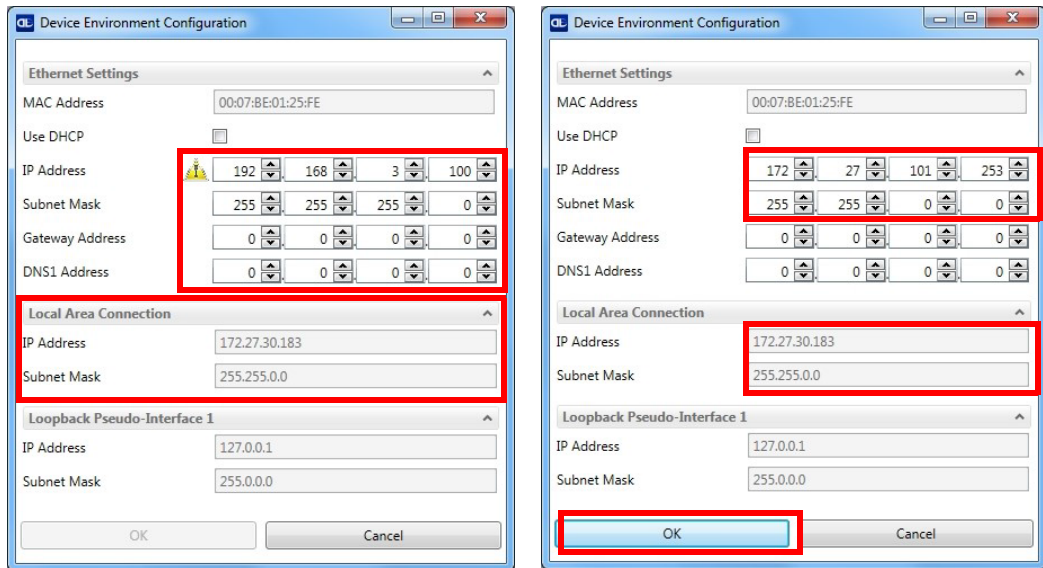
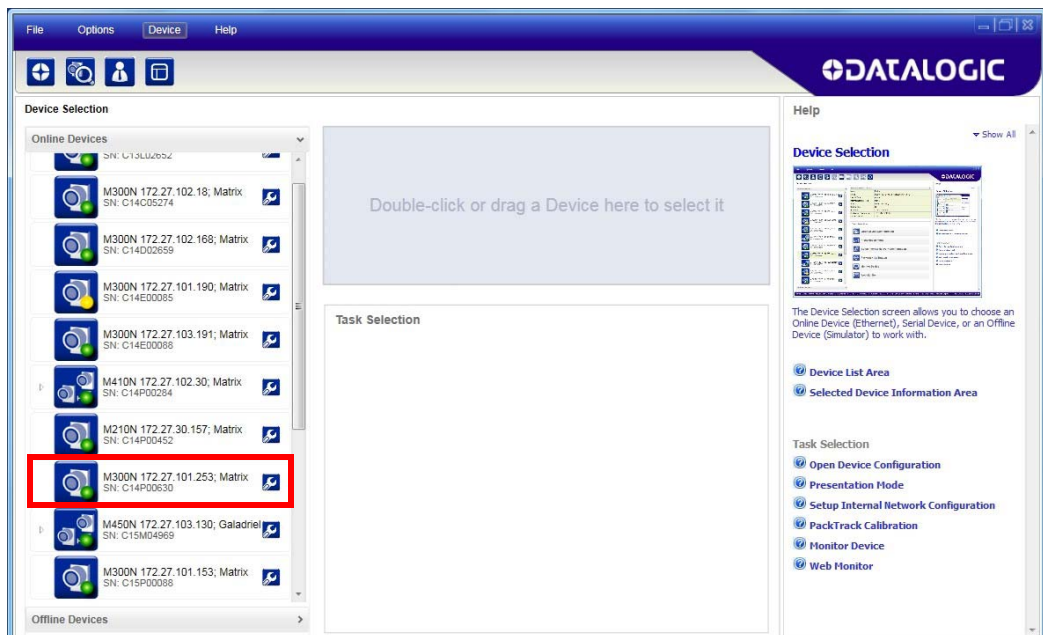


Figure 11 - Device Environment Configuration Window

6. Click OK; the device will reappear in the list of Online Devices (in color) meaning it is now part of the LAN and can be configured. The new IP address will also be displayed.



7. Double-click on or drag the device icon into the Selected Device Information Area. Details about the device will be displayed in this area.

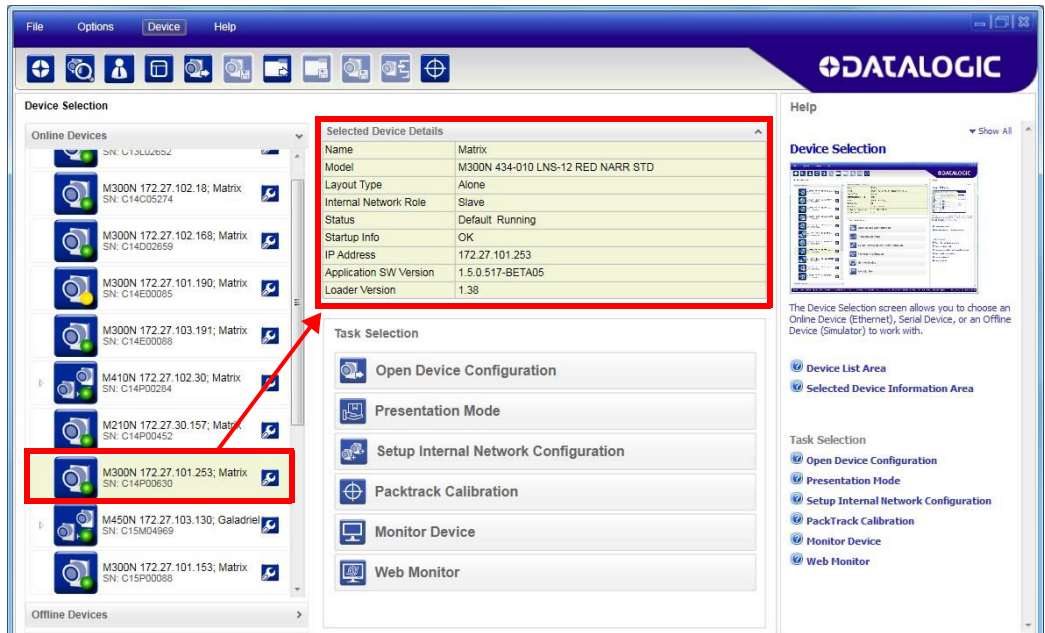


Figure 12 - DL.CODE Opening Window

## STEP 6 - DEVICE CONFIGURATION

### Automatic or Advanced Setup

**Automatic Setup** provides an automatic procedure for setting: optical/illumination, reading distance, and code definition parameters to obtain the most stable decoding conditions for a single code symbology based on the images presented to the reader. It can be set to include Image Filters if necessary. See the table below for codes and filters managed by Automatic Setup.

ENABLED 1D CODES	ENABLED 2D CODES	ENABLED FILTERS
CODE 128 EAN 128 CODE 39 CODE 93 CODABAR PDF417 MICRO PDF417 GS1 DATABAR GS1 DATABAR STACKED GS1 DATABAR LIMITED GS1 DATABAR EXPANDED GS1 DATABAR EXPANDED STACKED UPCEAN FAMILY EAN13 UPCEAN FAMILY EAN8 UPCEAN FAMILY UPCA UPCEAN FAMILY UPCE	DATAMATRIX ECC 200 QR MICRO QR AZTEC MAXICODE DOTCODE	ERODE 3x3, 5x5 and 7x7 DILATE 3x3, 5x5 and 7x7 SMOOTHING

**Advanced Setup** provides access to the complete array of optical/illumination, focusing adjustment, and code definition parameters that can be fine-tuned semi-automatically and manually to obtain the best results for applications of any complexity.



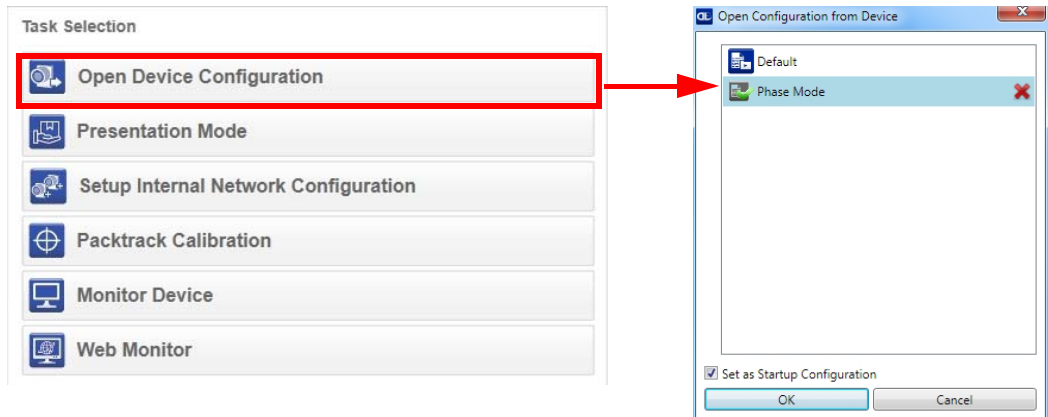
**NOTE**

**If your application requires multiple code symbologies, multiple image settings, Code Grading or other parameter settings for decoding, then use the Advanced Setup, see page 15.**

## Automatic Setup

To begin configuration, the reader must be correctly mounted so that its Field of View covers the application reading area.

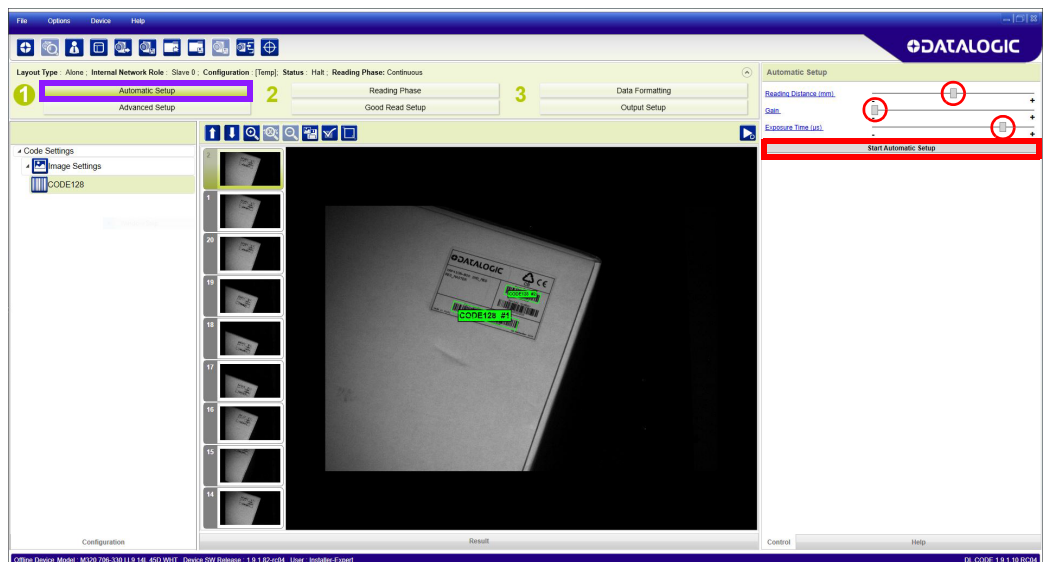
1. From the Task Area select Open Device Configuration.
2. The Open Device Configuration window opens showing the list of currently saved configurations (jobs) saved on the device. For new devices, the only saved job is the Default configuration. Click OK. The device enters run mode and begins acquiring images.



3. Place the application code in front of the reader at the correct application reading distance.



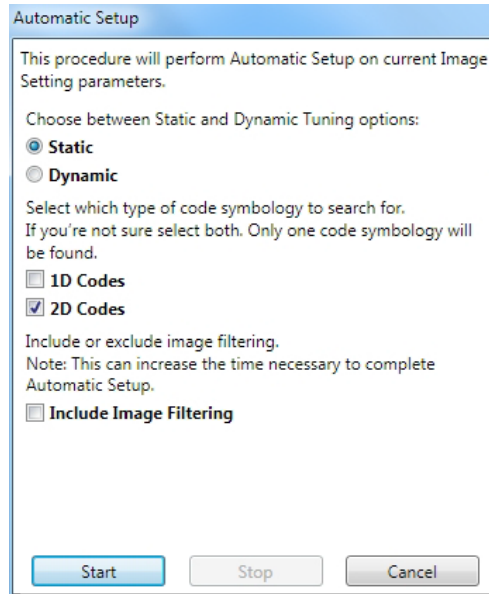
4. Click on the Pause button to stop image acquisition.



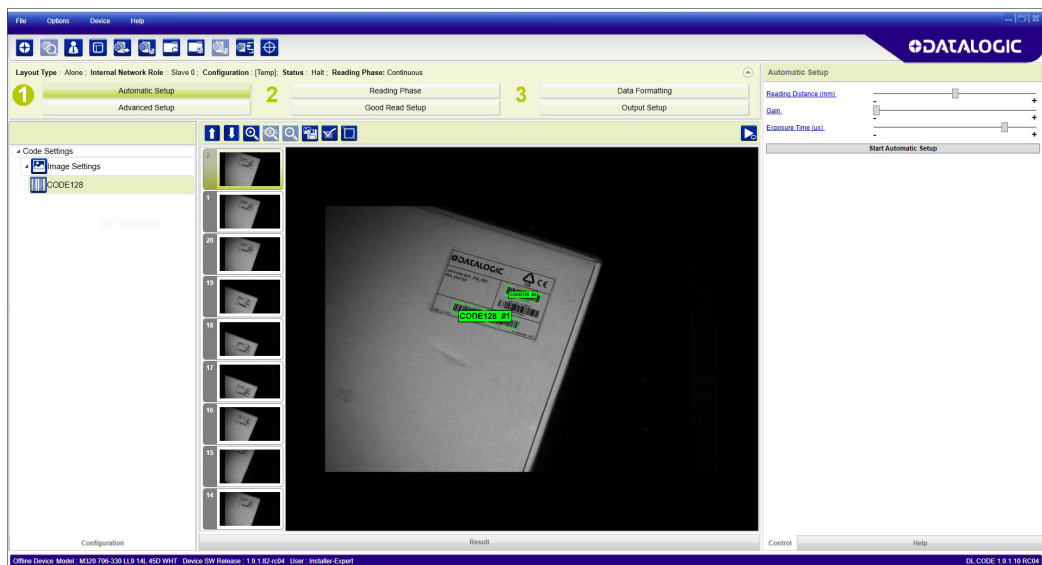
**NOTE**

If the image display area is too dark to see the images being captured, you can drag the Gain and Exposure Time sliders (circled in red in the figure above) to the right to increase visibility. This will not affect Automatic Setup.

- Click on the **Start Automatic Setup** button. The following window is displayed:



- Select the correct reading conditions: Static or Dynamic Tuning, 1D or 2D code, Include Image Filtering (to find the best decoding condition).
- Click Start to begin the procedure. The reader begins acquiring images. At the end of the procedure the **Status: Completed** message appears. You can Close the Automatic Setup window.

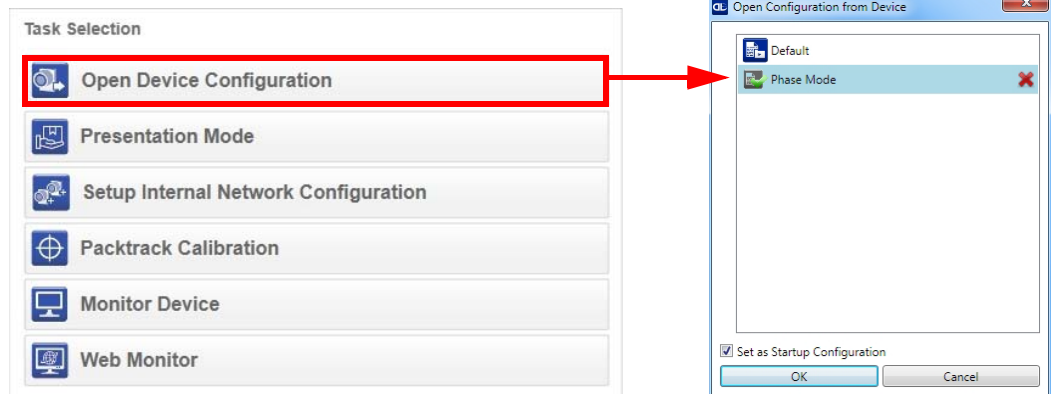


Your reader is now optimized for decoding. Continue with the Reading Phase configuration described on page 22.

## Advanced Setup for Software Adjustable Focus Models (Liquid Lens)

To begin configuration, the reader must be correctly mounted at the correct reading distance for your application so that its Field of View covers the application reading area.

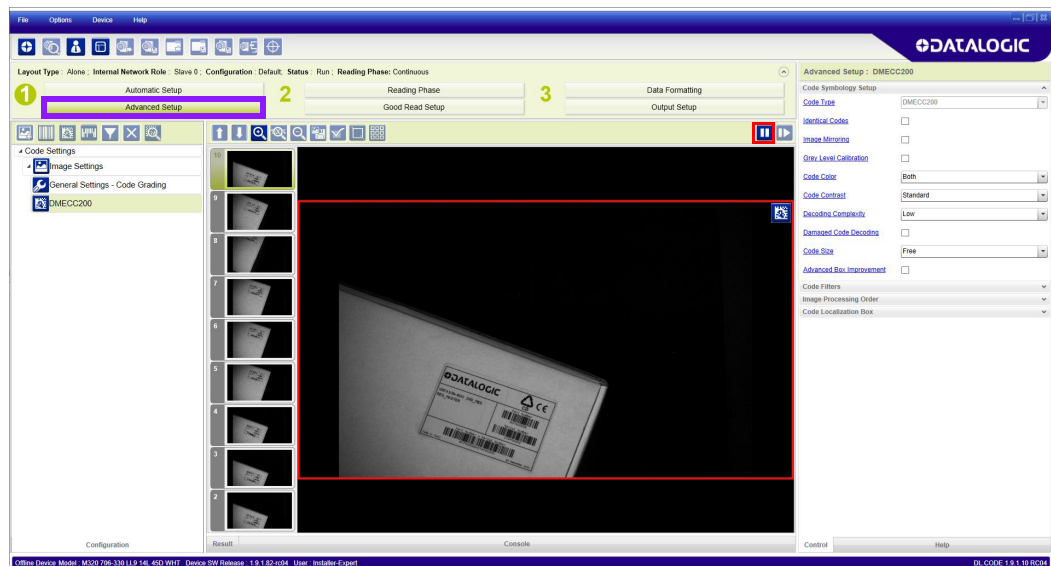
1. From the Task Area select Open Device Configuration.
2. The Open Device Configuration window opens showing the list of currently saved configurations (jobs) saved on the device. For new devices, the only saved job is the Default configuration. Click OK. The device enters run mode and begins acquiring images.



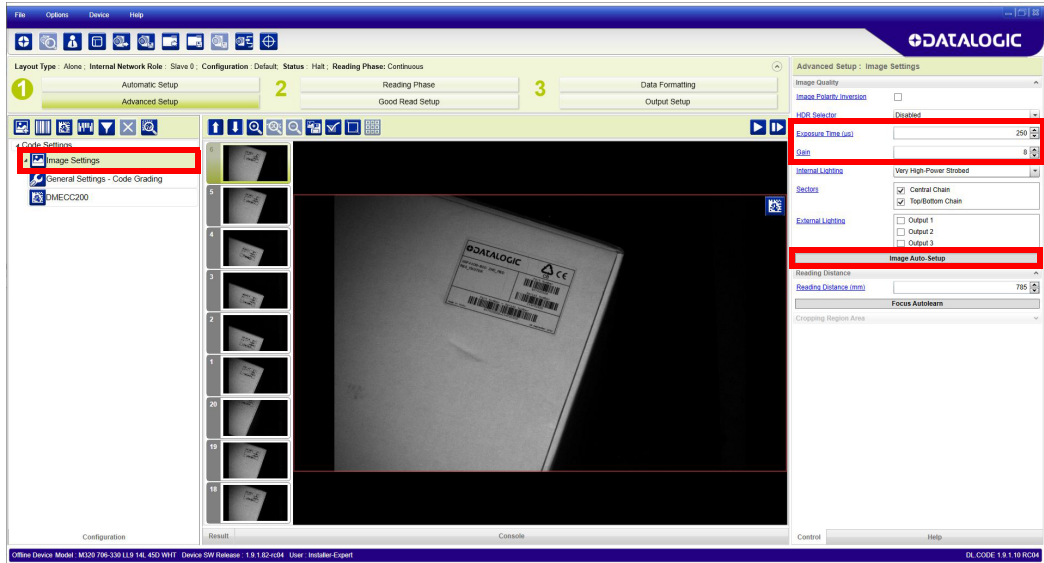
3. Click on the Advanced Setup button and press the Play icon.



4. Place the **Grade A Barcode Test Chart** in the reading area. Once positioned, stop image acquisition by clicking on the Pause button.

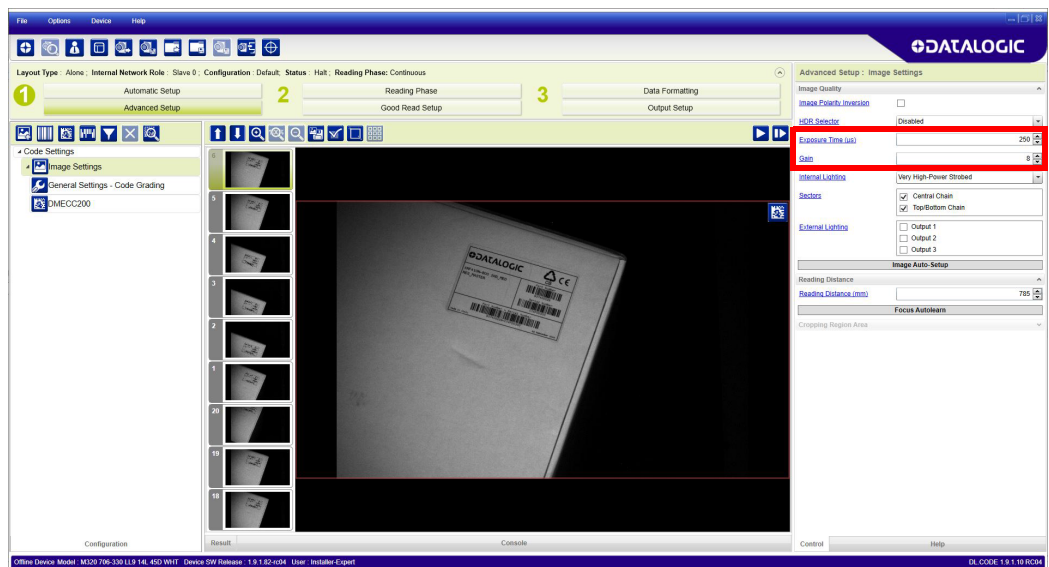
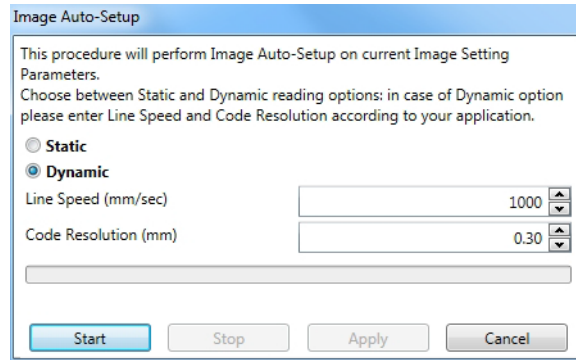


- Click the Image Settings branch and then click the Image Auto-Setup button to automatically acquire the best exposure time and gain values.





- Select the Static or Dynamic Self-Tuning option; Start the Image Auto Setup and Apply to the Image Settings.



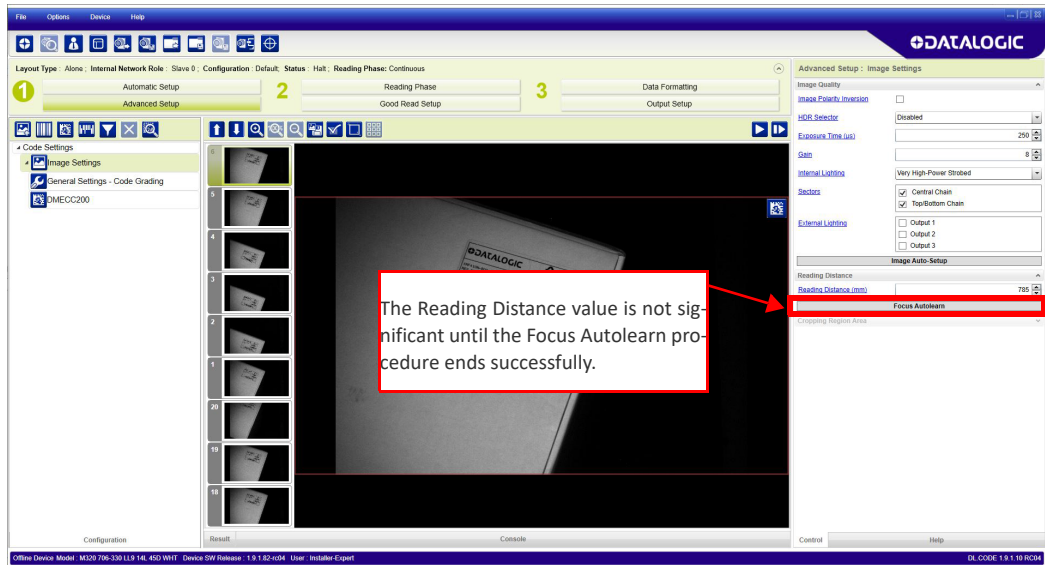
NOTE

For applications having multiple lighting or code reading conditions, up to 10 different Image Settings can be configured by adding them with the

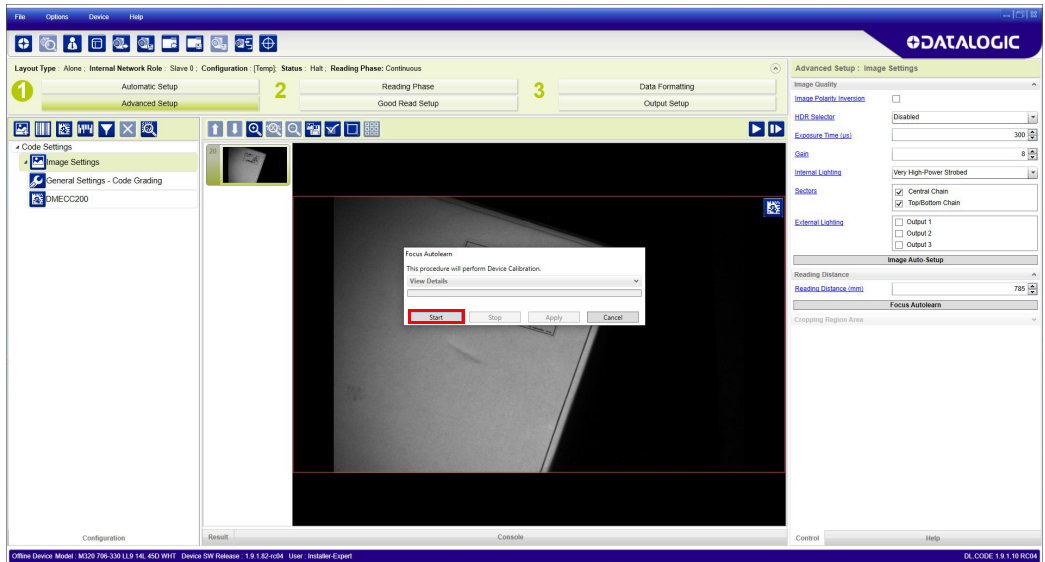


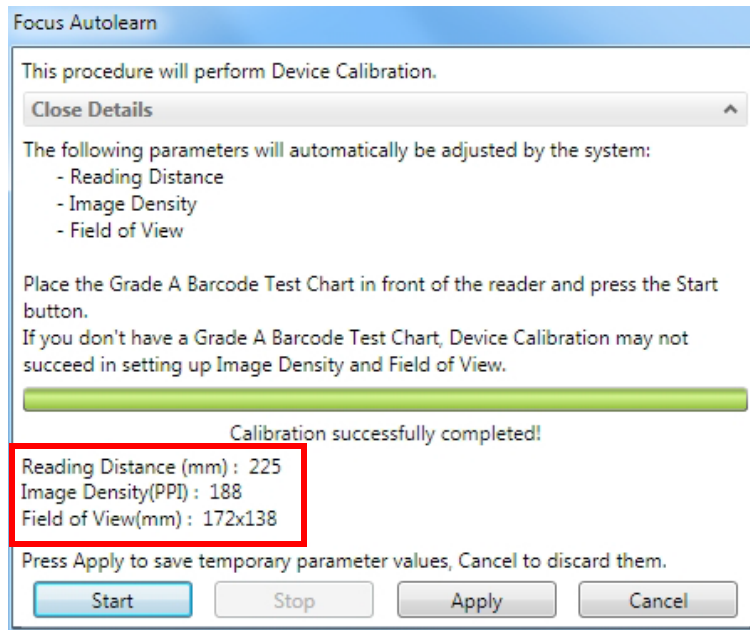
icon.

- Now select the General Image Settings branch and click on the Focus Autolearn button.

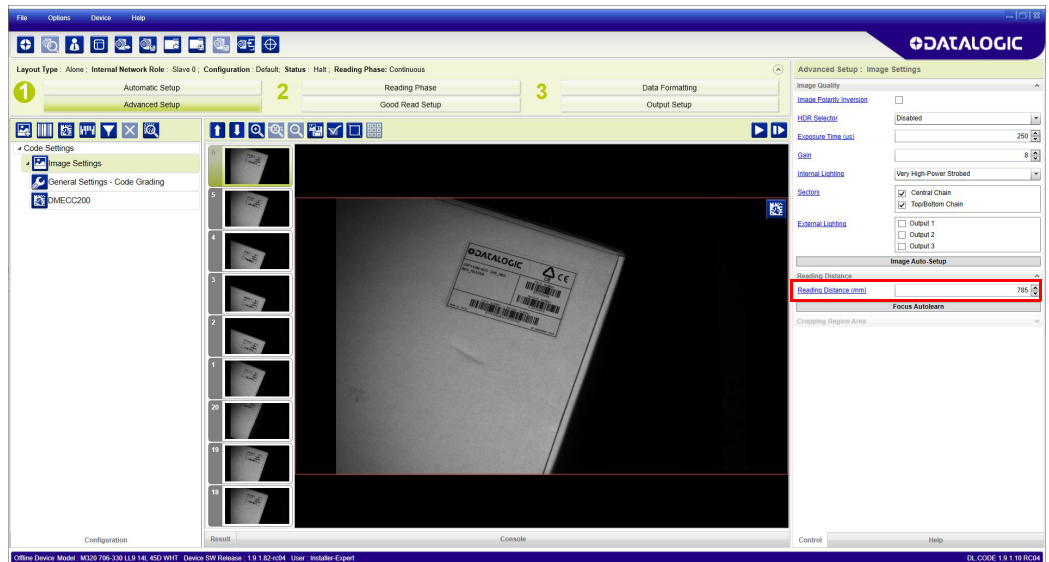


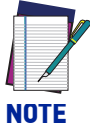
- The Calibrate dialog box opens allowing you to start the procedure. Click Start.





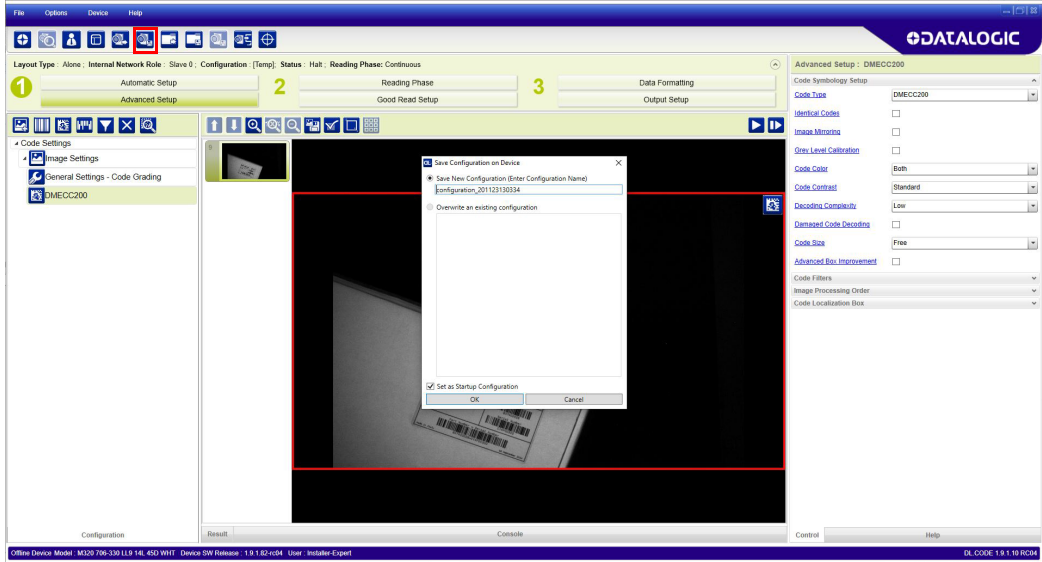
At the end of the calibration you can see the new Reading Distance. Click Apply.





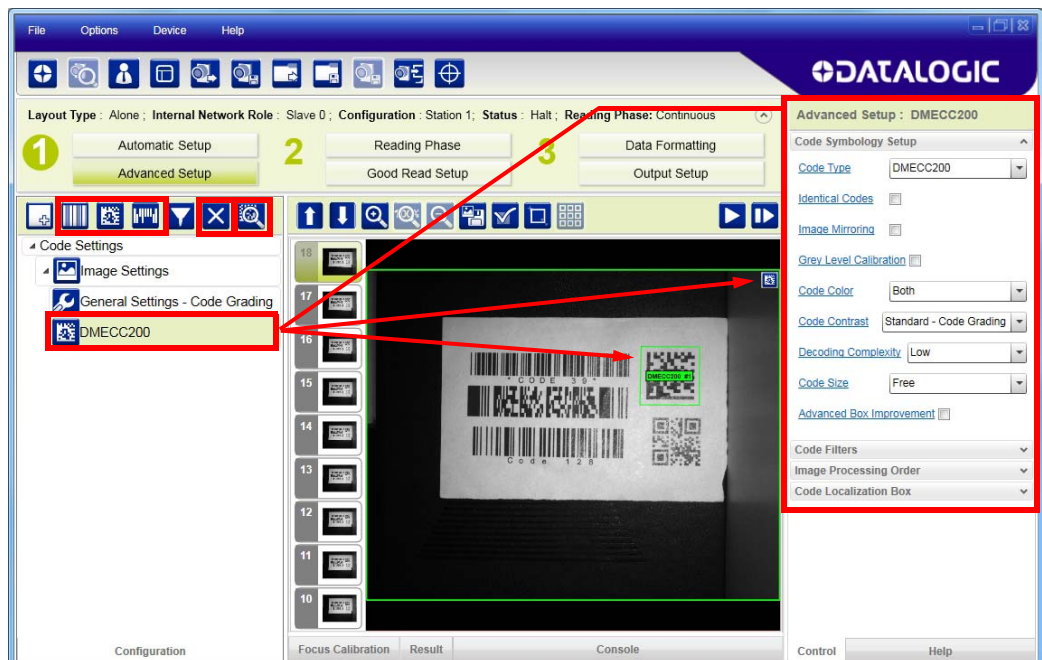
At this point it is probably a good idea to save the configuration from temporary memory to permanent memory giving it a specific name.

**NOTE**



9. Now place an application specific code in front of the reader and repeat **only the Image Auto-Setup** to register any changes in lighting or code surface contrast. **Do not repeat Focus Calibration or PPI.**

10. Click on the Data Matrix ECC 200 symbology under the Image Settings branch (enabled by default). If this symbology is among those in your application it will be shown in the image display with its code symbology name and a small green box around it indicating it is decoded.



**NOTE**

**The large green box for each symbol indicates the code localization area which by default is equal to the maximum FoV. It can be resized and moved by dragging its borders with the mouse. The code must be found within this area in order to be decoded.**



11. Add your application specific codes to the Code Settings by selecting them from the icons over the Configuration Parameters tree area. If the Data Matrix symbology is not used, then delete it from the Code Settings with the Delete icon.



If you don't know the code type, you can use the Code Autolearn feature by clicking on the Code Autolearn icon.<sup>1</sup> See the DL.CODE User's Manual for details.

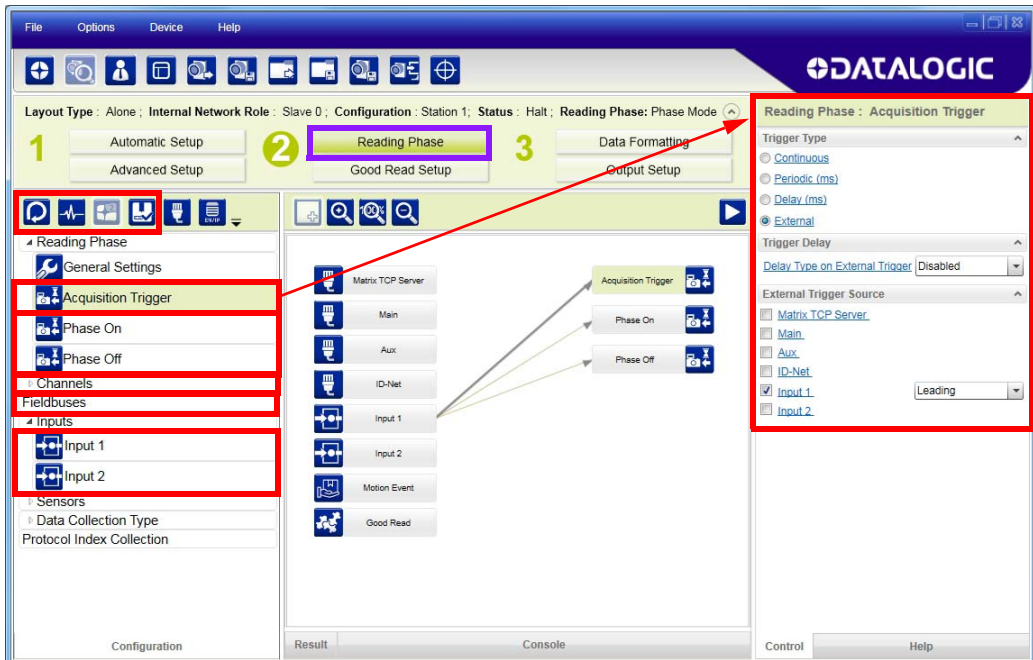
12. For each code symbology set the relative parameters according to your application.

---

1. The Code Autolearn procedure will not recognize the following symbologies: Pharmacode, MSI, Standard 2 of 5, Matrix 2 of 5.

## Reading Phase

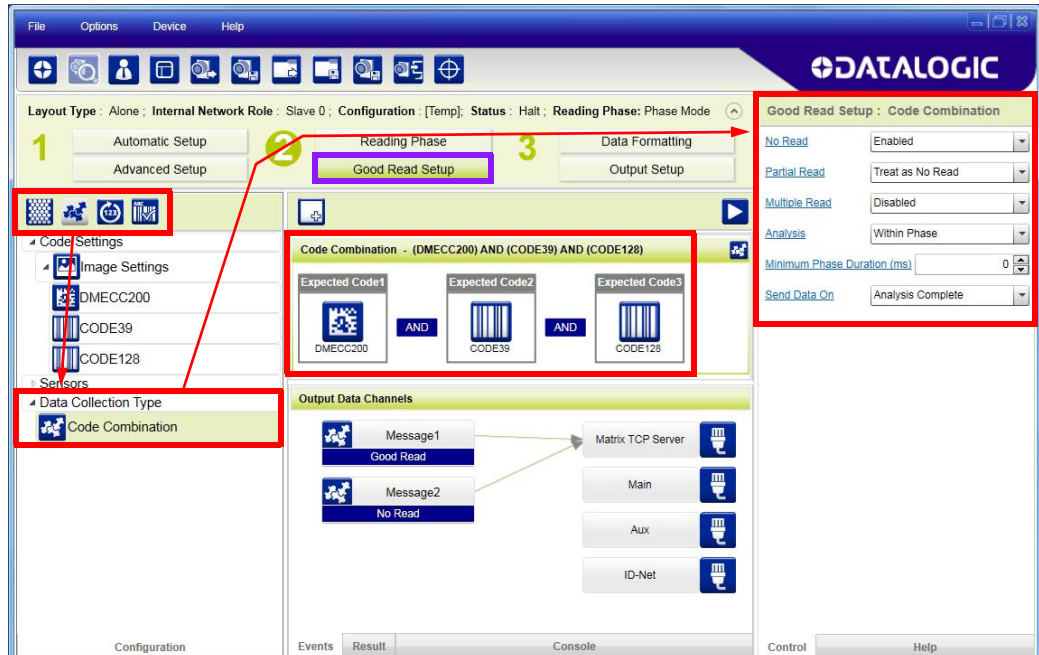
1. Select your application specific Operating Mode from the icons over the Configuration Parameters tree area: Continuous, One Shot, Phase Mode or PackTrack.



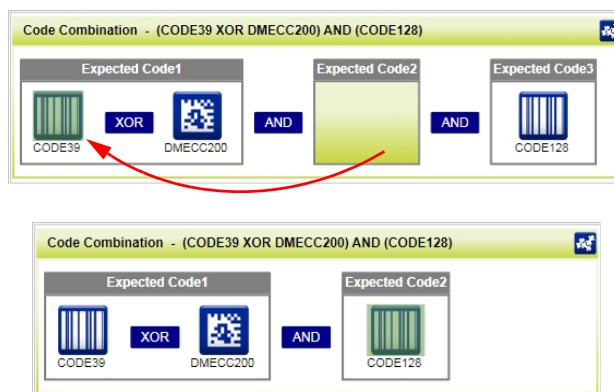
2. Configure the relative Operating Mode parameters from the Reading Phase parameters panel. Different groups will appear in the panel depending on the selected icons over the Configuration Parameters tree area.

## Good Read Setup

1. Select your specific data collection type from the icons over the Configuration Parameters tree area: Code Collection, Code Combination, Presentation or Match Code. Not all data collection types are available for all Operating Modes; for example PackTrack Operating Mode only supports Code Combination. Incompatible data collection types will be shown in gray and cannot be selected. The following example shows Code Combination. By default, the Expected Codes (when more than one code type is selected), are in logical AND, which means that all codes are required to be decoded to produce a Good Read condition.



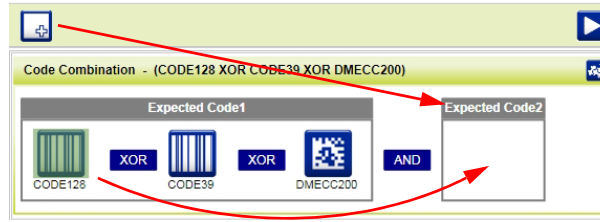
2. If a Good Read condition should be produced when any single code is decoded, independent from the others, then they need to be combined in logical XOR. To do this, drag the code icon(s) from their relative Expected Code box into the Expected Code box of the XOR combination you wish to create. Then delete the empty box by selecting it with the mouse (highlighted) and pressing the delete key on your keyboard.





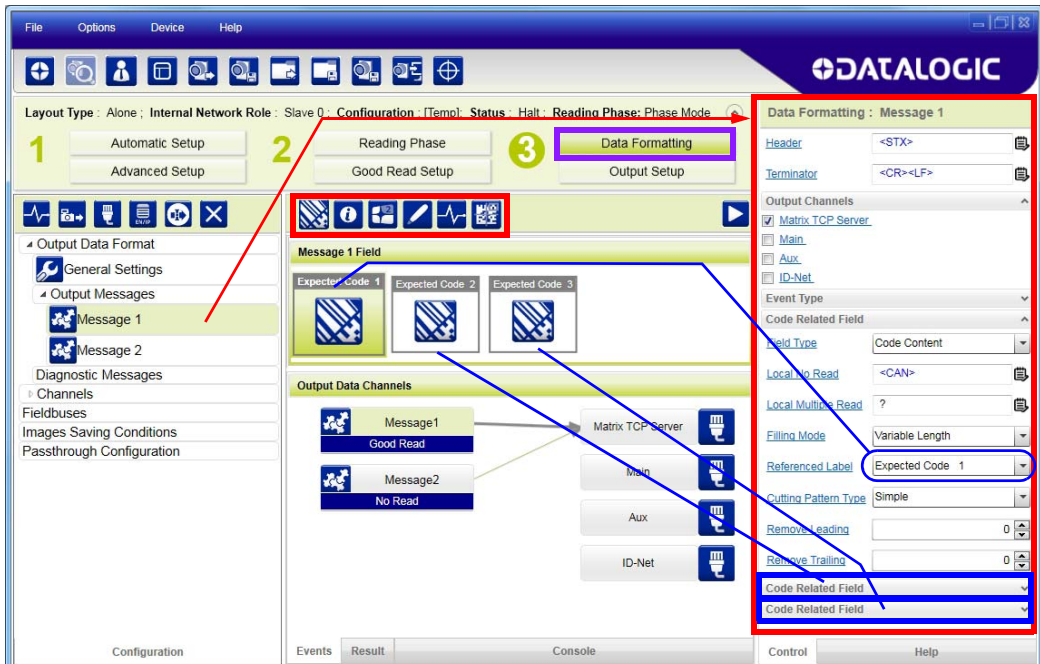


To create a logical AND condition from a logical XOR, create a new Expected Code box using the Add icon. Then drag the desired code icon from one box to the other.



## Data Formatting

1. Configure your application specific Data Formatting Message(s) from the Configuration Parameters tree area: Message 1, Message 2, etc.



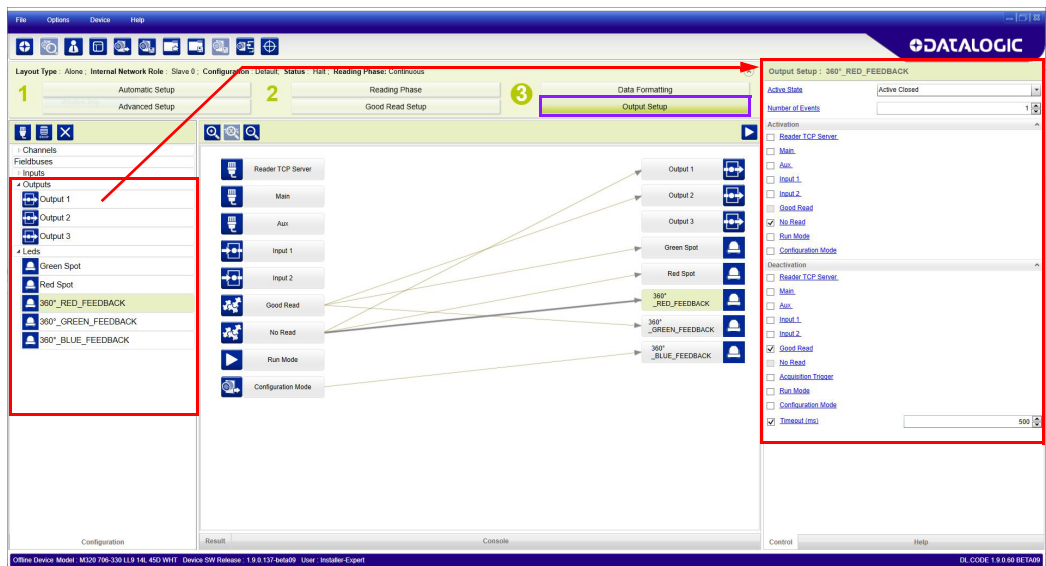
You can add fields to the output message by clicking on the icons above the Message Field area. They will be appended to the message. You can drag them to position them between other fields in the message so that the output message is ordered according to your application requirements.

Each field has its own relative configuration parameters in the parameters panel.



## Output Setup

1. Configure your application specific Digital Output(s), Green/Red Spots and 360° Feedback (if used) from the Configuration Parameters tree area: Output 1, Output 2, etc.



### NOTE

Save the configuration from temporary memory to permanent memory, overwriting the previously saved configuration.

## STEP 7 - TEST MODE

Use a code suitable to your application to test the reading performance of the system.

1. Enter the *Test* function by pressing and holding the X-PRESS push button until the Test LED is on.
2. Release the button to enter the *Test* function. Once entered, the Bar Graph on the five LEDs is activated and if the reader starts reading codes the Bar-Graph shows the Good Read Rate.

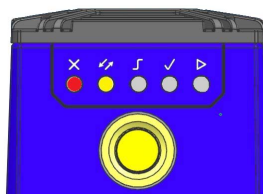


Figure 13 - X-PRESS Interface: Test Function

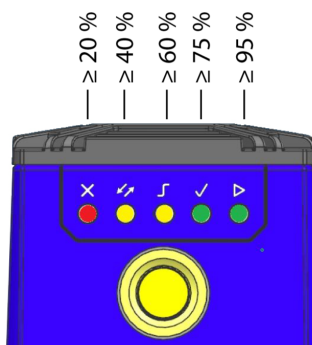
3. To exit the Test, press the X-PRESS push button once.



**NOTE**

**By default, the Test exits automatically after three minutes.**

The Bar Graph has the following meaning:



In case of No Read condition, only the STATUS LED (red) is on and blinks.

## ADVANCED READER CONFIGURATION

For further details on advanced product configuration, refer to the DL.CODE User's Guide available in the DL.CODE Help menu.

### Host Mode Programming

The reader can also be partially configured from a host computer using the Host Mode programming procedure.

# CHAPTER 2

## INTRODUCTION

---

### PRODUCT DESCRIPTION

Matrix 320 is a Datalogic industrial compact 2D imager designed and produced to be a high performance affordable solution for both linear and two-dimensional code reading applications.

Matrix 320 uses imaging technology and provides complete reading system functions by integrating image capturing, decoding and communicating in a single compact and versatile product.

Matrix 320 sets a new standard in 2D imager technology offering high performance with improved reading flexibility thanks to its intrinsic modularity.

Matrix 320 features excellent reading and verifying performance thanks to a superior 2.0 Mega pixel sensor (1920 x 1080 pixels) and smart proprietary decoding libraries.

The modular combination of lenses, illumination, filters, and accessories provide high flexibility in covering applications with various requirements.

Innovative X-PRESS™ interface, combined with a new aiming system, Green and Red Spots, and new 360 degree Visual Feedback through colored LEDs, enhance the ease of setup and use.

Rugged construction, IP67 and IP65 protection and max. 45°C operative temperature make the Matrix 320 the ideal product for industrial applications. Matrix 320 has been developed for use in numerous industries such as:

#### Factory Automation

- End of line traceability
- Secondary packaging traceability
- Print & Apply
- WIP traceability (automatic)
- Component/part traceability
- Direct Part Marking (DPM) reading

#### Intralogistic Automation / Automated Warehouses / Distribution Centers

- Reverse Logistics
- Retrieval for outbound (forklift)
- Pallet traceability / pallet wrapping
- Palletizing (automatic or manual) / cage preparation
- Order fulfillment (automatic or manual)
- Depalletizing - Part traceability
- Print & Apply verification (re-labeling)

- Inbound/pallet picking (forklift)

This technology intrinsically provides omni-directional reading.

## Standard Application Program

A Standard Application Program is factory-loaded onto Matrix 320. This program controls code reading, data formatting, serial port and Ethernet interfacing, and many other operating and control parameters. It is completely user configurable from a Laptop or PC using the dedicated configuration software program DL.CODE, provided on the DL.CODE mini-DVD (downloaded .zip file).

There are different programmable operating modes to suit various code reading system requirements.

Quick, focus, positioning, calibration and code setting of the imager can be accomplished using the X-PRESS™ button and LEDs on top of the reader without the necessity of a PC.

The previous functions can also be performed through DL.CODE which includes visual feedback from the reader. This allows verification of the exact positioning of the reader and to maximize its reading performance.

Statistics on the reading performance can also be visualized through a dedicated window in DL.CODE.

## Programmability

If your requirements are not met by the Standard Application Program, Custom Application Programs can be requested at your local Datalogic distributor.

Some of the main features of this reader are given below.

## Excellent Performance

- Multi-core platform
- Superior 2 MPixel sensor (1920 x 1080 pixels)
- Frame Rate up to 60 frames/sec
- Hardware acceleration
- HDR (High Dynamic Range) imaging
- Powerful Internal Lighting Systems
- Electronic focus adjustment with Liquid Lenses
- Many illuminator options (up to 36 LEDs + TIR lenses)
- Outstanding decoding capability on 1D, 2D, Stacked, Postal symbologies
- Excellent performance on DPM applications
- Omni-directional reading
- Image Cropping for higher frame rate
- Up to 100 readable codes in a single frame

## Ease of Setup and Use

- Quick installation without PC by using X-PRESS interface for easy and intuitive setup
- Automatic Imager calibration
- Multi-Code settings and Autolearn

- New generation FTP image saving
- Enhanced Green/Red Spot for immediate read feedback
- New 360 degree Visual Feedback provides immediate feedback on the device status during operation
- X-PRESS™ interface LEDs provide operational and performance feedback
- Aiming system with cross projection to verify exact code positioning in the Field of View and to maximize the reading performance
- Windows-based DL.CODE software to configure the reader parameters via PC Ethernet interface
- User-defined database of Image Acquisition Settings (parameter sets)
- Different operating modes to suit various application requirements
- Multi Image Acquisition Settings for higher reader flexibility
- Image saving and storage with buffering capability
- Diagnostic software tools

## Flexible Solution

- Modular design
- Accessory covers for Polarized and Standard illumination
- Accessory filters: anti-YAG, color filters
- Many illuminator lights in 2 different power options (14 LEDs and 36 LEDs)
- Compact dimensions and rotating connector for easy integration

## Connectivity

- Main M12 17-pin male connector
- Industrial connectivity (Serial, Giga Ethernet, Embedded Fieldbus)
- Compatible with EBC network via EBC Quick Link
- Ethernet Connectivity with TCP/IP socket for reader parameter configuration, data and image transfer, FTP client, etc.
- On-board Ethernet supports EtherNet/IP (explicit messaging), PROFINET I/O and Modbus TCP protocols
- 3 serial communication interfaces (Main, Auxiliary, ID-NET)
- 2 General purpose opto-coupled, polarity insensitive Inputs
- 3 General purpose, short-circuit protected Outputs (when using the CBX connection box, the first 2 outputs are opto-coupled)
- Giga Ethernet connector

## Industrial Strength

- Industrial compact 2D reader
- Rugged construction
- Sealed circular M12 connectors
- IP67 and IP65 protection class
- 0 to 45 °C (Liquid Lens models) operating temperature
- Supply voltage: 24 Vdc

The reader is particularly suitable for industrial environments where protection against harsh external conditions is required.

The reader is contained in an aluminum housing; with its internal illuminator, Liquid Lens and protective cover, the mechanical dimensions are 109 x 54 x 56 mm for the 14 LEDs model and 116 x 126 x 70 mm for the 36 LEDs model.

Electrical connection of Power, Serial interfaces and I/O signals is provided through an M12 17-pin connector. An M12 X-Coded Giga Ethernet connector is present for TCP/IP connections.

# INDICATORS AND KEYPAD BUTTON

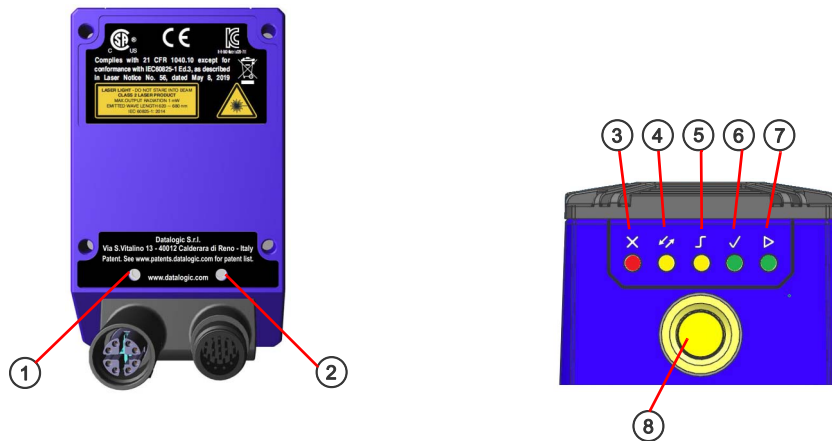


Figure 14 - Indicators

The following LED indicators are located on the reader:

<b>PWR</b>	blue LED indicates that the reader is connected to the power supply (Figure 14, 1)
<b>NET</b>	yellow LED indicates connection to the on-board Ethernet network (Figure 14, 2)

In normal operating mode the colors and meaning of the five LEDs are illustrated in the following table:

<b>STATUS</b>		red LED indicates a NO READ result (Figure 14, 3)
<b>COM</b>		yellow LED indicates active communication on the main serial port * (Figure 14, 4)
<b>TRIGGER</b>		yellow LED indicates the status of the reading phase (Figure 14, 5)
<b>GOOD</b>		green LED confirms successful reading (Figure 14, 6)
<b>READY</b>		green LED indicates that the reader is ready to operate (Figure 14, 7)

\* When connected to a Fieldbus network through the CBX500, the COM LED is always active, even in the absence of data transmission, because of polling activity on the Fieldbus network.

During the reader startup (reset or restart phase), these five LEDs blink for one second. In X-PRESS Configuration mode the colors and meaning of these five LEDs are described in X-PRESS Human Machine Interface.

The keypad button (Figure 14, 8) is software programmable. By default it starts the X-PRESS interface for quick installation without using a PC (see "[Step 3 - Aim and Autofocus the reader](#)" on page 4).



## GREEN/RED SPOT AND 360° VISUAL FEEDBACK

Matrix 320 is equipped with a Green/Red Spot and 360° Visual Feedback through colored LEDs mounted around the illuminator window cover to provide immediate feedback on the device status during operation.

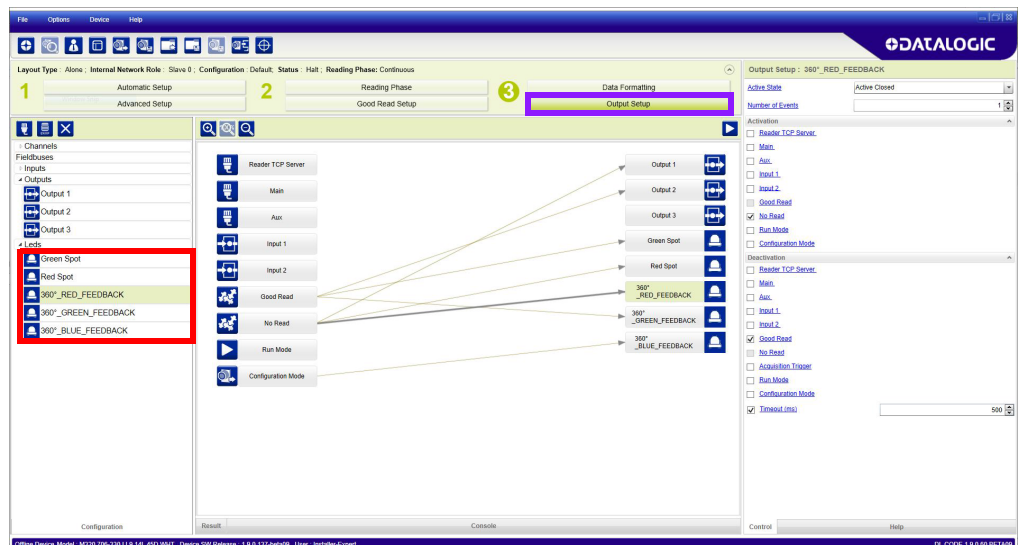
The available colors are activated by the following default events:

- **Blue** = Configuration Mode (Visual Feedback only)
- **Green** = Good Read
- **Red** = No Read



Figure 15 - 360° Visual Feedback and Green/Red Spot

On DL.CODE it is possible to select the events that will activate each Spot and 360° Feedback (e.g. Communication Channel Strings, Inputs, Read Events, Operating Mode, Script Events). To do this, go to Output Setup > LEDs.

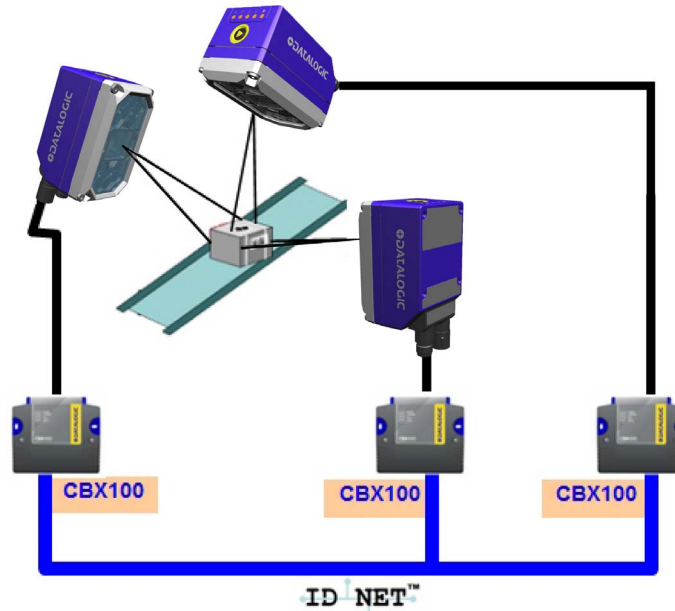


## ID-NET

The ID-NET™ network is a built-in high-speed interface dedicated for high-speed reader interconnection. ID-NET is in addition to the Main and Auxiliary serial interfaces.

The following network configurations are available:

- **ID-NET Synchronized:** Single station – multiple readers

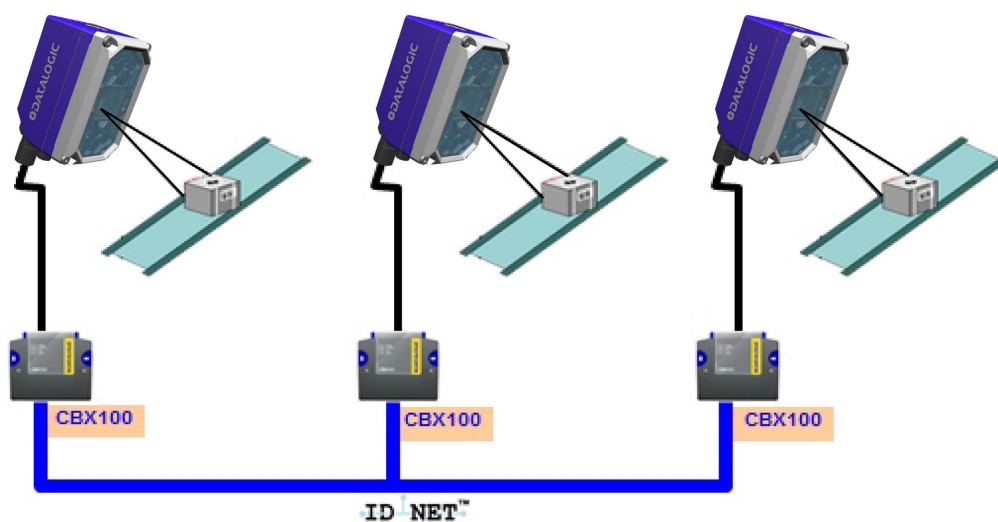


ID-NET interface allows local connection of multiple readers reading different sides of the same target. All readers share a single presence sensor and activate/deactivate simultaneously.

At the end of each reading phase a single data message is transmitted to the host. Thanks to ID-NET, data communication among readers is highly efficient so that an immediate result will be available.

See "[ID-NET Interface](#)" on page 66 for connection details and "[Internal Network Configurations](#)" on page 120 for configuration details.

- **ID-NET Multidata:** Multiple stations – single reader



ID-NET interface allows connection of readers reading objects placed on independent conveyors. All readers are typically located far away from each other and they can have different operating modes from each other.

At the end of each reading phase, each reader transmits its own data message to the host. Thanks to ID-NET, data collection among readers is accomplished at a high speed without the need of an external multiplexing device. This leads to an overall cost reduction and to simple system wiring.

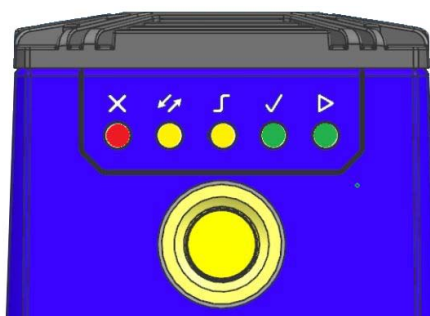
See "[ID-NET Interface](#)" on page 66 for connection details and "[Internal Network Configurations](#)" on page 120 for configuration details.

## X-PRESS HUMAN MACHINE INTERFACE

X-PRESS is the intuitive Human Machine Interface designed to improve ease of installation and maintenance.

Status information is clearly presented by means of the five colored LEDs, whereas the single push button gives immediate access to the following relevant functions:

- Test with bar graph visualization to check static reading performance
- Aim/Autofocus to turn on the aiming system and aid positioning and focusing
- Setup to perform Exposure Time and Gain calibration
- Learn to self-detect and auto-configure for reading unknown codes

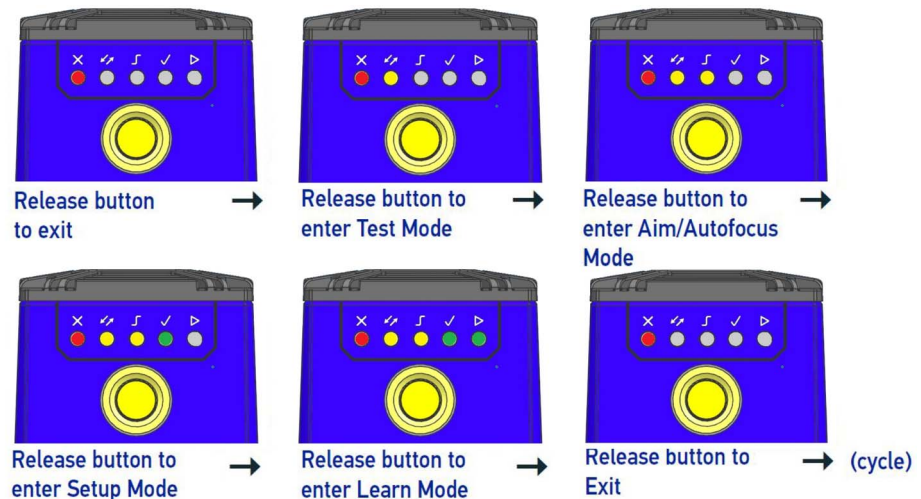


## X-PRESS Functions

Quick access to the following functions is provided by an easy procedure using the push button:

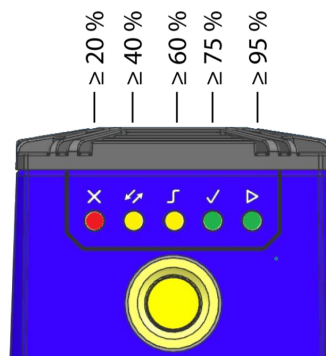
1. **Press** the button (the Status LED will give a visual feedback).
2. **Hold** the button until the specific function LED is on (Test, Focus, Setup or Learn).
3. **Release** the button to enter the specific function.

Once button is pressed, the cycle of LEDs activation is as follows:



### Test Mode

Once entered, the Bar Graph on the five LEDs is activated and if the imager starts reading codes the Bar-Graph shows the Good Read Rate. The Bar Graph has the following meaning:



In case of a NO READ condition, only the Status LED is on and blinks.

To exit the Test Mode, press the X-PRESS push button once.



**By default, the Test exits automatically after three minutes.**

## Aim/Autofocus

This function causes the laser pointer to turn on. The laser pointer can be used to position the imager on the code, but note that the center of the cross is 16 mm (14 LEDs model) or 30 mm (36 LEDs model) under the optical axis. The Aim LED blinks to indicate this state. After a short delay, this function also performs the Autofocus procedure for Liquid Lens models.

You can exit the Aim/Autofocus function at any time by pressing the X-PRESS push button once. After a short delay the Autofocus procedure is canceled and the laser pointer turns off.

## Setup

Once entered, the imager automatically performs Image Acquisition parameter calibration for the specific code presented to it.

The Setup LED will blink until the procedure is completed.

The Setup procedure ends when the Image Acquisition parameters are successfully saved in the reader memory, the Setup LED will stop blinking and Matrix 320 emits 3 high pitched beeps.

If the calibration cannot be reached after a timeout of about 5 (five) seconds Matrix 320 will exit without saving the parameters to memory, the Setup LED will not remain on continuously but it will stop blinking. In this case Matrix 320 emits a long low pitched beep.

## Learn

Once entered, the imager starts a procedure to automatically detect and recognize a **single code** which is presented to it. Successive Learns will substitute the current code.

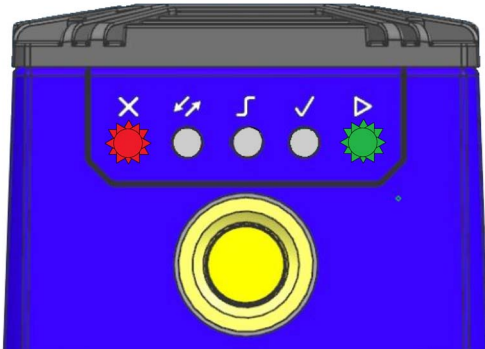
The Learn LED will blink until the procedure is completed.

The Learn procedure ends when the Image Processing and Decoding parameters are successfully saved in the reader memory, the Green Spot is activated, the Learn LED will remain on continuously and Matrix 320 emits 3 high pitched beeps.

If the calibration cannot be reached after a timeout of about 3 (three) minutes, Matrix 320 will exit without saving the parameters to memory, the Learn LED will not remain on continuously but it will stop blinking. In this case Matrix 320 emits a long low pitched beep.

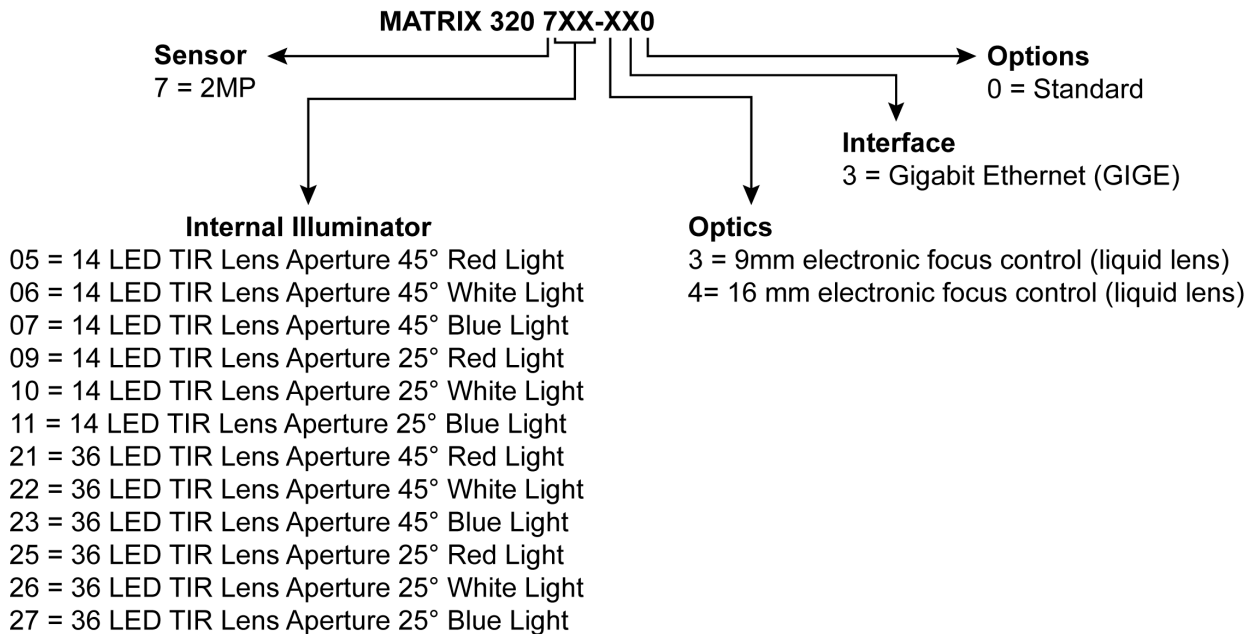
## Diagnostic Indication

The "STATUS" (red) and "READY" LED (green) blink simultaneously to signal the presence of an error. Diagnostic message transmission on interfaces can be enabled to provide details about specific error conditions. See the Diagnostic Error Conditions chart in the Diagnostic page of the DL.CODE Monitor.

	LED	STATUS
	Ready	Blink
	Good	
	Trigger	
	COM	
	Status	Blink

## MODEL DESCRIPTION

Matrix 320 readers are described by their model number which indicates the characteristics listed in the diagram below. Not all combinations are available. For a complete list of combinations see "Available Models" on page 40.



## AVAILABLE MODELS

Part Number	Description
938100020	Matrix 320 705-330 L9 14L 45D RED
938100021	Matrix 320 706-330 L9 14L 45D WHT
938100022	Matrix 320 707-330 L9 14L 45D BLU
938100023	Matrix 320 709-430 L16 14L 25D RED
938100024	Matrix 320 710-430 L16 14L 25D WHT
938100025	Matrix 320 711-430 L16 14L 25D BLU
938100029	Matrix 320 721-330 L9 36L 45D RED
938100030	Matrix 320 722-330 L9 36L 45D WHT
938100031	Matrix 320 723-330 L9 36L 45D BLU
938100032	Matrix 320 725-430 L16 36L 25D RED
938100033	Matrix 320 726-430 L16 36L 25D WHT
938100034	Matrix 320 727-430 L16 36L 25D BLU

## ACCESSORIES

The following accessories can be used with the Matrix 320 reader.

Accessory	Description	Order No.
<b>Cables</b>		
CAB-DS01-S	M12-IP67 Cable To CBX or QL (1M)	93A050058
CAB-DS03-S	M12-IP67 Cable To CBX or QL (3M)	93A050059
CAB-DS05-S	M12-IP67 Cable To CBX or QL (5M)	93A050060
CAB-DS10-S	M12-IP67 Cable to CBX or QL (10M)	93A051390
CAB-F-M12-17P01	M12-IP67 17p Flexible Cable To CBX or QL (1M)	93A050116
CAB-F-M12-17P03	M12-IP67 17p Flexible Cable To CBX or QL (3M)	93A050117
CAB-F-M12-17P05	M12-IP67 17p Flexible Cable To CBX or QL (5M)	93A050118
CAB-ETH-X-M01	M12-IP67 GIGA Ethernet Cable X-Coded (1M)	93A050122
CAB-ETH-X-M03	M12-IP67 GIGA Ethernet Cable X-Coded (3M)	93A050123
CAB-ETH-X-M05	M12-IP67 GIGA Ethernet Cable X-Coded (5M)	93A050124
CAB-ETH-X-M10	M12-IP67 GIGA Ethernet Cable X-Coded (10M)	93A050140



Accessory	Description	Order No.
CAB-F-ETH-X-M01	M12-IP67 GIGA Ethernet Flexible Cable X-Coded (1M)	93A050125
CAB-F-ETH-X-M03	M12-IP67 GIGA Ethernet Flexible Cable X-Coded (3M)	93A050126
CAB-F-ETH-X-M05	M12-IP67 GIGA Ethernet Flexible Cable X-Coded (5M)	93A050127
CAB-ETH-X-RJ	Adapter Cable Full GETH-X to RJ45	93A050141
CBL-1480-01	Thin M12/5P Male/Female (1M)	93A050049
CBL-1480-02	Thin M12/5P Male/Female (2M)	93A050050
CBL-1480-05	Thin M12/5P Male/Female (5M)	93A050051
CBL-1490	Term. Resist. Thin M12/5P/Male	93A050046
CBL-1496	Term. Resist. Thin M12/5P/Female	93A050047
<b>Covers</b>		
Cover Standard 14L	Cover STD LT 14L M320/P2	93ACC0271
Cover Standard 36L	Cover STD LT 36L M320/P2	93ACC0272
Cover Polarizer 14L	Cover Polarizer LT 14L M320/P2	93ACC0273
Cover Polarizer 36L	Cover Polarizer LT 36L M320/P2	93ACC0274
<b>Filters</b>		
Filter Yag 14L	Filter Yag Cut LT 14L M320/P2	95A900018
Filter Yag 36L	Filter Yag Cut LT 36L M320/P2	95A900022
<b>Brackets</b>		
BK-32-000	BK-32-000 STD FIX BRACKET M320/P2 BODY	93ACC0282
BK-32-010	BK-32-010 PIVOT FIX BRACKET M320/P2 BODY	93ACC0283
USX-60	Adjustable Bracket	93ACC1729
<b>Connectivity</b>		
CBX100	Compact Connection Box	93A301067
CBX500	Modular Connection Box	93A301068
BM100	Backup Module for CBX100/500	93ACC1808
BM150	Display Module for CBX500	93ACC1809
<b>Various Fieldbus Host Interface Modules and All-In-One Connection Box Kits are available</b>		
BA100	DIN Rail Adapters	93ACC1821
BA200	Bosch and 80/20 Profile Adapters	93ACC1822
<b>Various M12 Panel Connectors for CBX Connection Boxes are available</b>		
BA900	Two Cable Glands Panel	93ACC1847
QL100	Quick Link Slave ID-NET T-Connector	93ACC1860
QL150	Quick Link Slave ID-NET + Service T-Connector	93ACC1868

Accessory	Description	Order No.
QL200	Quick Link Slave ID-NET + Power T-Connector	93ACC1861
QL300	Quick Link Master ID-NET - Serial Host Connector	93ACC1862
QLM500	Quick Link Metal Master ID-NET - Ethernet/IP Gateway	93ACC0037
QLM600	Quick Link Metal Master ID-NET - Profibus Gateway	93ACC0033
QLM700	Quick Link Metal Master ID-NET - Profinet I/O Gateway	93ACC0038
<b>Various M12 Service Cables and Field Mount Connectors are available for Quick Link Series Connectors</b>		
<b>Power Supplies</b>		
PG6002	AC/DC Power Supply Unit (US)	93ACC1718
PG6001	AC/DC Power Supply Unit (UK)	93ACC1719
PG6000	AC/DC Power Supply Unit (EU)	93ACC1720
<b>Sensors</b>		
MEP-593	Photocell Kit PNP (PH-1)	93ACC1791
MEP-543	Photocell Kit-NPN	93ACC1728
S3Z-PR-5-C11-PL	Diffuse Proximity Sensor	95B010011
<b>External Mirrors</b>		
EMK-MTX-380	External Mirror - 380 mm	93ACC0086
EMK-TMX-600	External Mirror XRF410N - 600 mm	93ACC0116

## APPLICATION EXAMPLES

### Document Handling

Matrix 320 is profitably used in the omnidirectional reading of 2D, stacked, linear and postal codes for example in automated document handling and mail processing systems.



Figure 16 - Address Coded in Data Matrix Symbology for Automated Mail Processing

## Multiple Reading in a Single Image

The Matrix 320 high resolution image sensors allow the reading of many small codes in a single image.

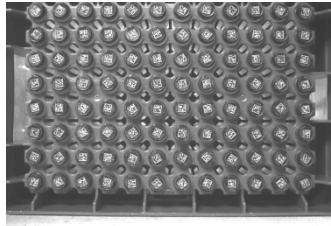


Figure 17 - 96-Vial Rack

## Deformed or Overprinted Code Reading

Matrix 320 assures the reading of deformed and/or overprinted codes, even though damaged or printed on high reflective surfaces.



Figure 18 - Unidose Flow-Pack with PDF417 Code



Figure 19 - Overprinted Barcode Readable by Matrix 320 also Through the Envelope Window Film



Figure 20 - Barcode Printed on Curved Surface Readable by Matrix 300N in spite of Image Optical Distortion

## Direct Part Marking

Matrix 320 is also very powerful in reading low-contrast direct part marked codes.



Figure 21 - Dot Matrix Code Directly Marked on Metal Surface by Using Dot Peening Technology

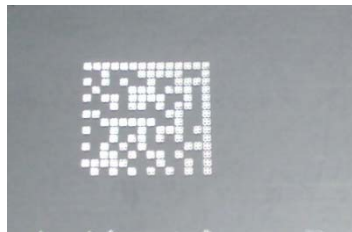


Figure 22 - Dot Peening Marking on Metal Surface with Multi-dot per Code Element



Figure 23 - Directly Marked Dot Matrix Code Characterized by Outstanding Separation Distance between Adjacent Code Elements

## Ink-Jet Printing Technology

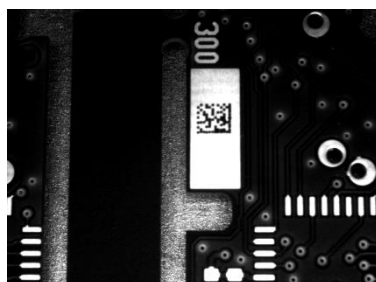


Figure 24 - Dot Matrix Code Directly Marked on PCB Copper Pad by Using Ink-Jet Technology

## Laser Marking/Etching Technology



Figure 25 - Data Matrix Code Directly Marked on PCB Surface by Using Laser Etching Technology



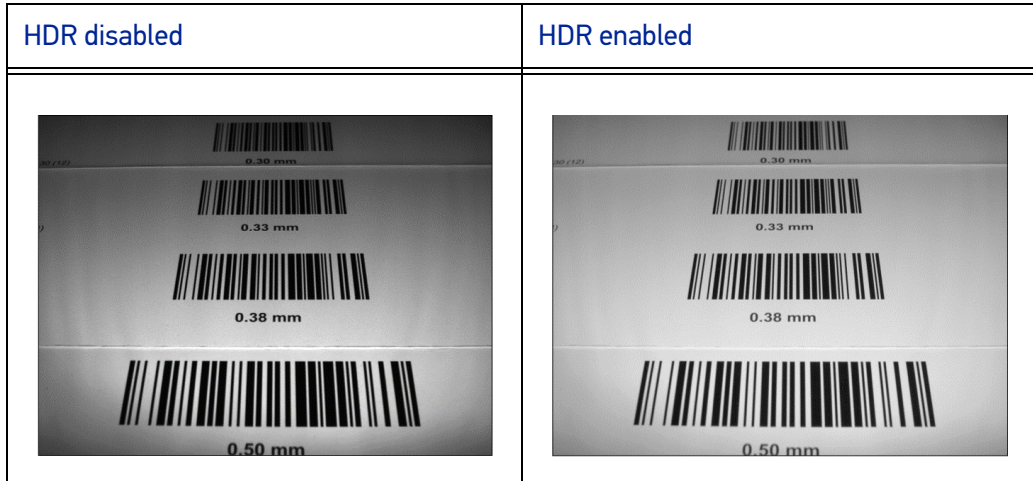
If application codes must be read which are produced by Laser Marking in real time, use the correct diameter accessory YAG Cut Filter with the Matrix 320 reader in order to avoid burning the sensor.

## High Dynamic Range (HDR) feature

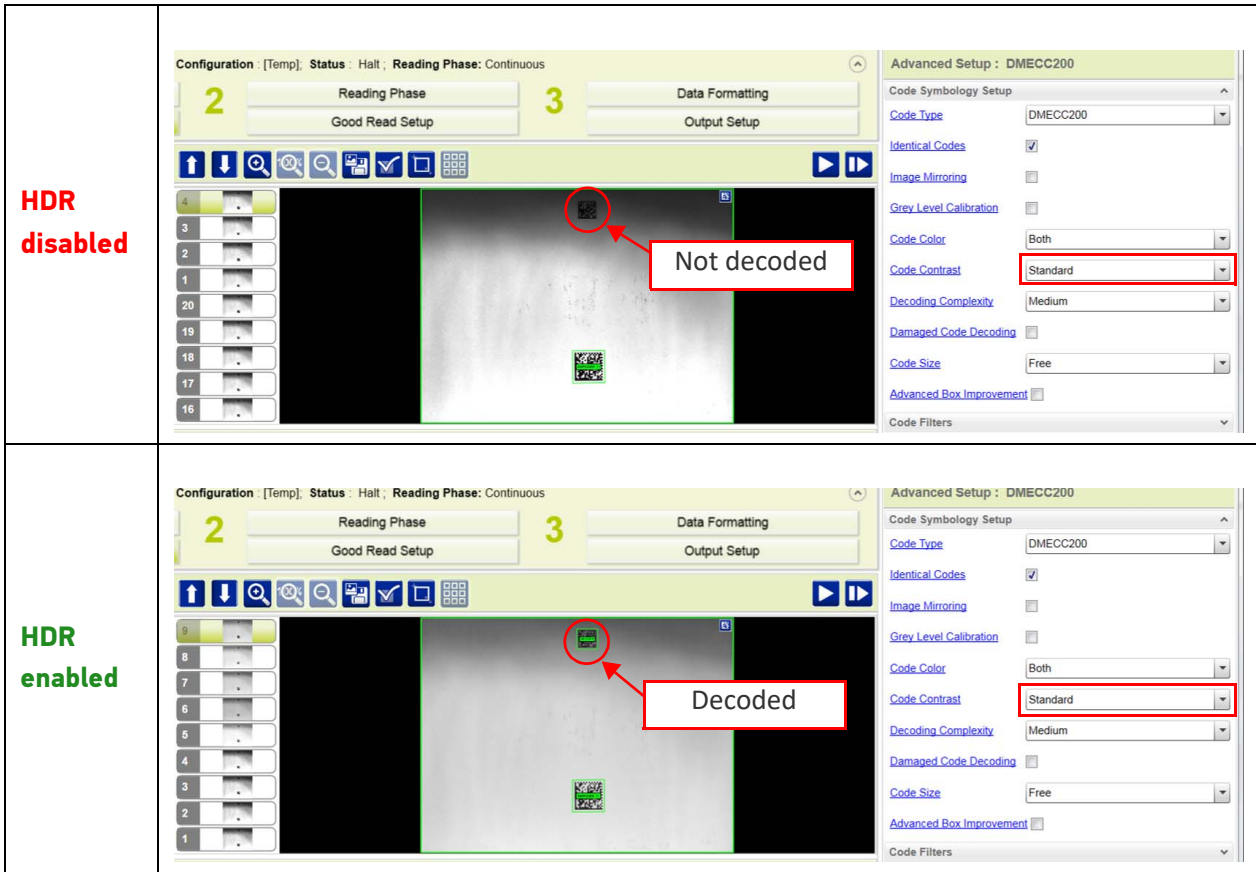
Matrix 320 supports the High Dynamic Range (HDR) feature. HDR performs an image dynamic correction where low intensity pixel values are enhanced, thus improving image contrast and code readability.

This feature proves particularly useful in the following cases:

- To adjust contrast when the outer area of the image is less exposed than the central area because of a large **Skew angle**:



- To adjust contrast at the FoV edges when **illumination is not homogeneous**. The HDR feature helps normalize image contrast allowing the use of Standard Contrast decoding:



- To improve decodability when the FoV includes codes with **different levels of contrast**:



In the example above, when HDR is disabled only two out of four codes are decoded. After enabling HDR, all four codes are decoded.

- In **high speed applications**, because Exposition Time can be reduced when HDR is enabled. The allowed Exposition Time ( $T_{exp}$ ) must be less than the code resolution ( $X$ ) divided by the line speed ( $LS$ ):

$$T_{exp} < (X / LS)$$

HDR disabled	
HDR enabled	

In the example above, C128 13 mils (0.33 mm) codes at a distance of 200 mm must be decoded. When HDR is disabled, good image contrast is obtained with the Exposition







# CHAPTER 3

## INSTALLATION

---

### PACKAGE CONTENTS

Verify that the Matrix 320 reader and all the parts supplied with the equipment are present and intact when opening the packaging; the list of parts includes:

- Matrix 320 reader
- Matrix 320 Quick Reference Guide
- Matrix 320 Heat Sink Mounting Instructions
- Test Charts (2)
- Mounting Kit
  - Mounting Screws (4+3)
  - Washers (4+3)
  - Mounting Brackets (BK-32-000 Standard Fix Bracket for Matrix 320 with 14 LEDs illuminator, BK-32-010 Pivot Fix Bracket for Matrix 320 with 36 LEDs illuminator)
- Heat sink (1)

# MECHANICAL DIMENSIONS

Matrix 320 can be installed to operate in different positions. The four screw holes (M4 x 8 mm) on the body of the reader are for mechanical fixture.

The diagrams below give the overall dimensions of the reader and may be used for its installation.

Refer to page 54 for various mounting solutions and correct positioning, and [Chapter 6, Reading Features](#) for FOV vs. Reading Distance considerations.

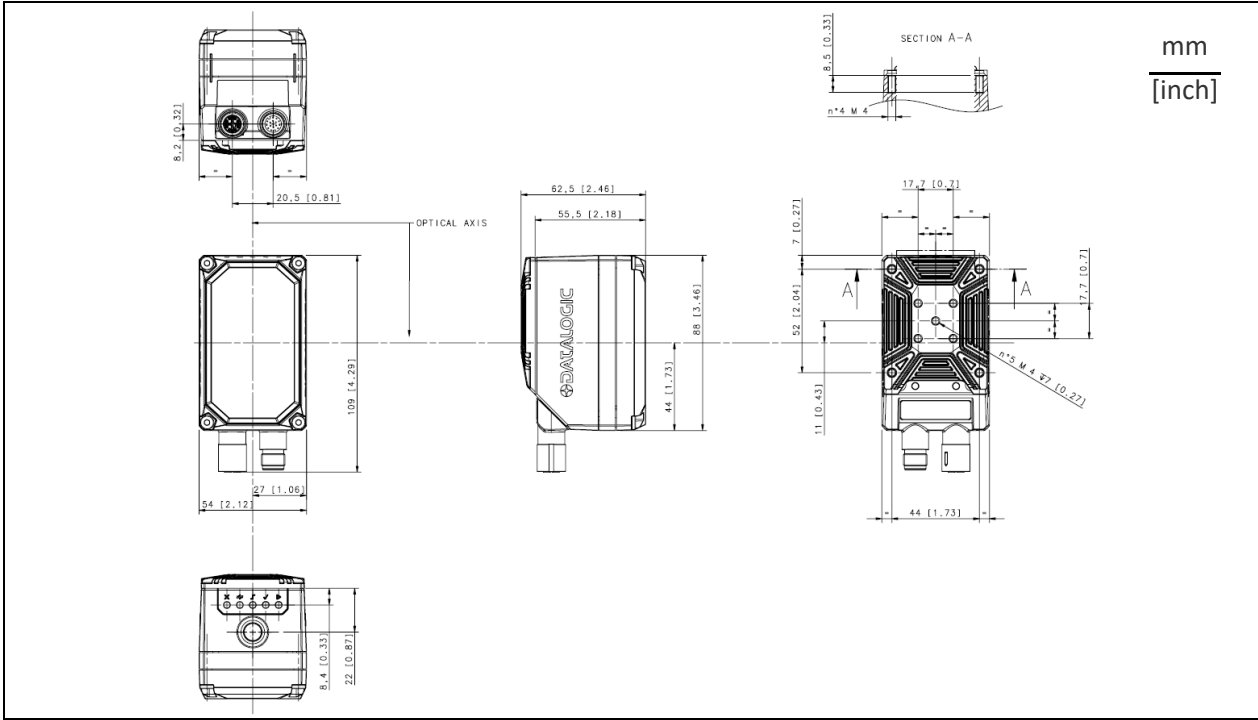


Figure 27 - Overall Dimensions: Matrix 320 with 14 LEDs illuminator (connectors 0°)

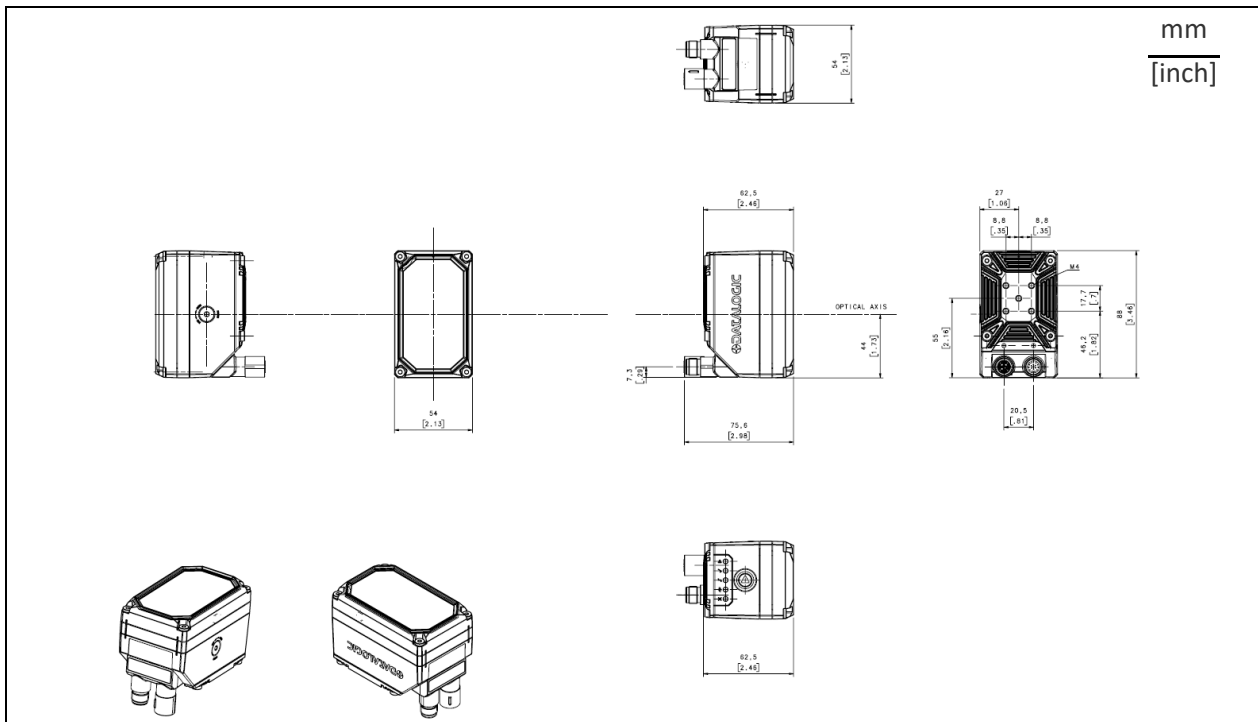


Figure 28 - Overall Dimensions: Matrix 320 with 14 LEDs illuminator (connectors 90°)

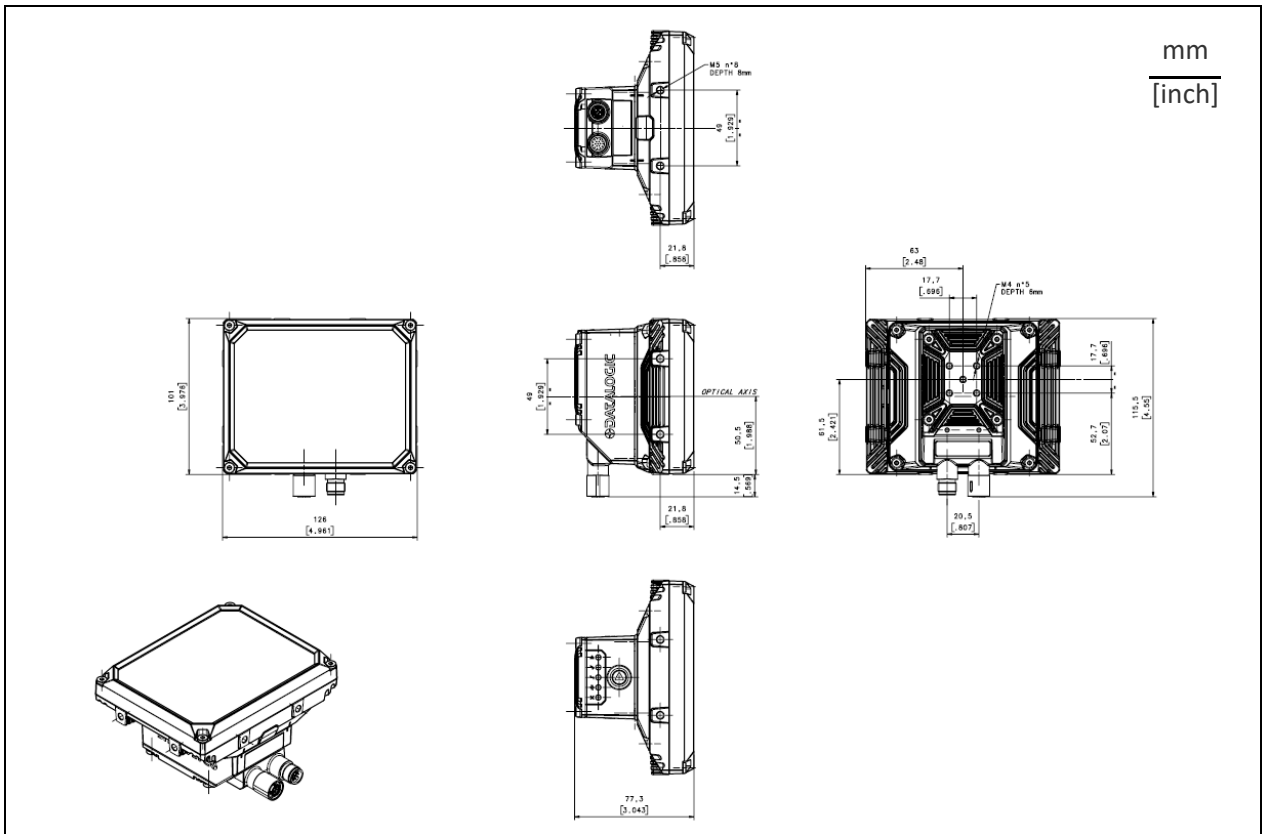


Figure 29 - Overall Dimensions: Matrix 320 with 36 LEDs illuminator (connectors 0°)

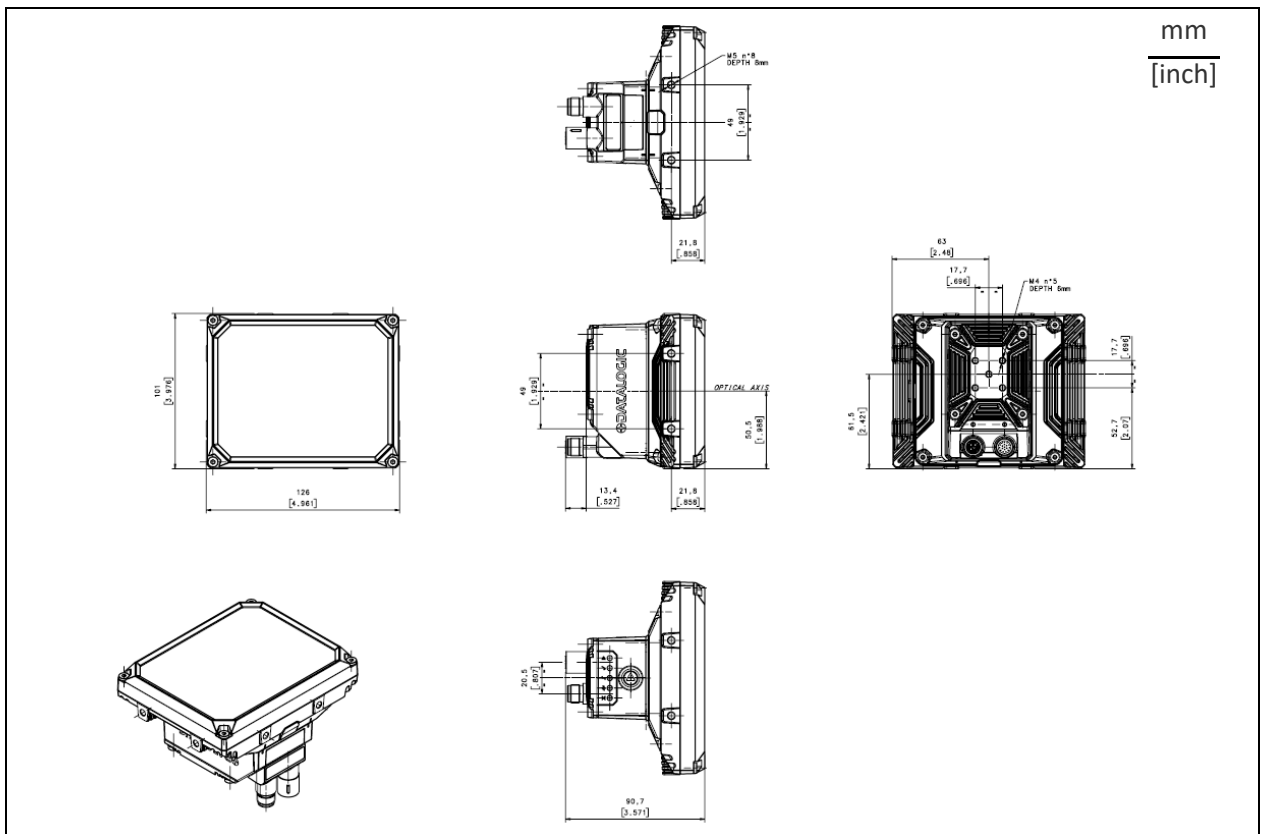


Figure 30 - Overall Dimensions: Matrix 320 with 36 LEDs illuminator (connectors 90°)

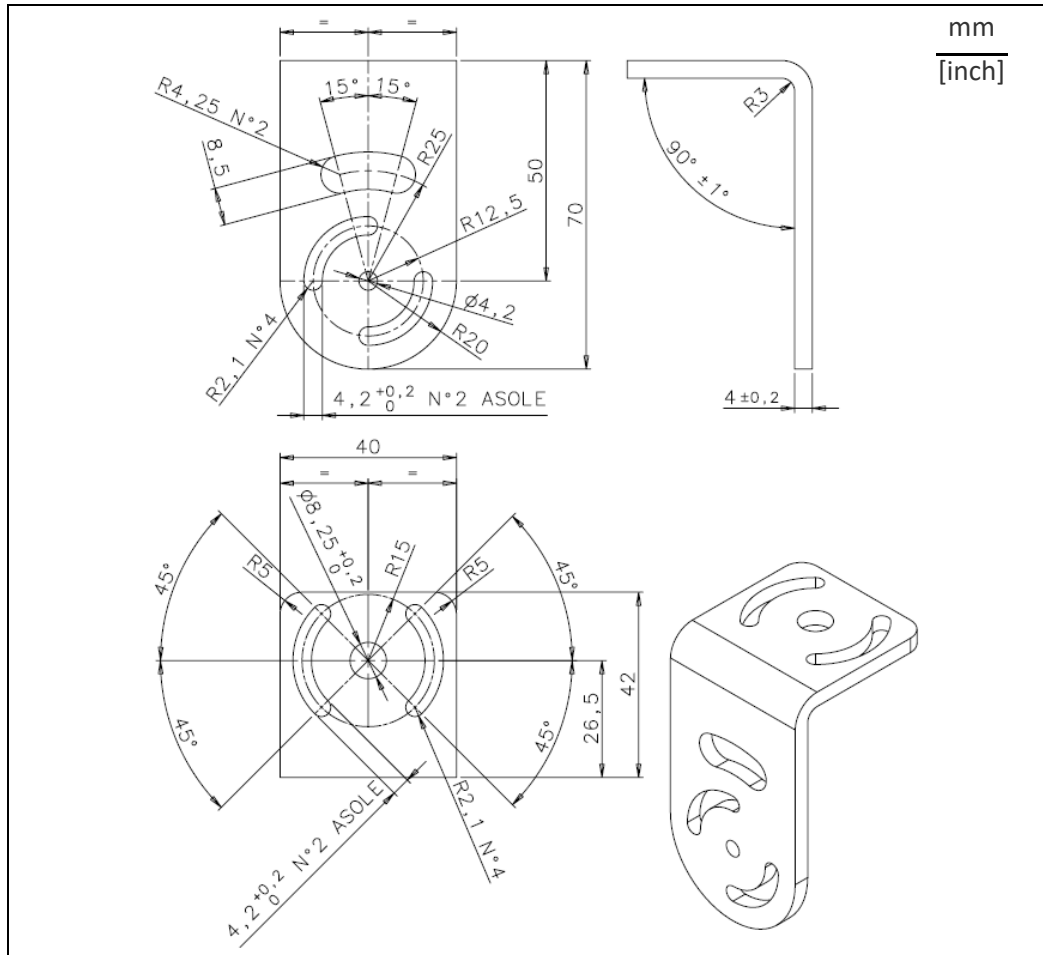


Figure 31 - Overall Dimensions: BK-32-000 Standard Fix Bracket for Matrix 320 with 14 LEDs illuminator

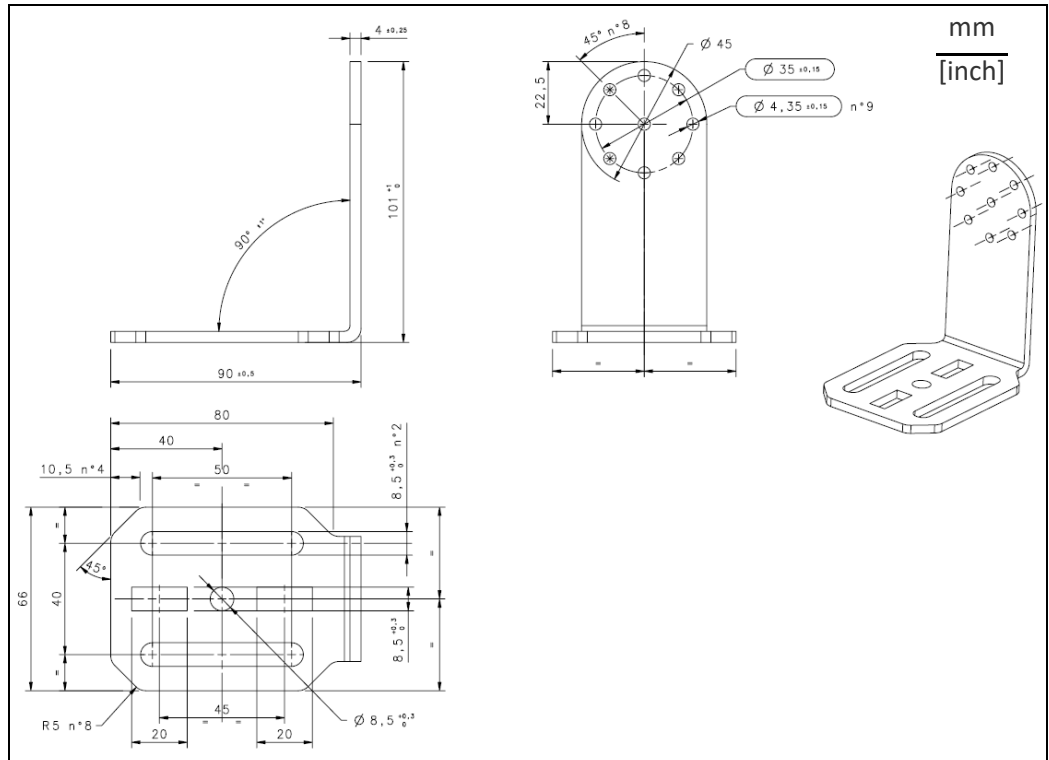


Figure 32 - Overall Dimensions: BK-32-00 Pivot Fix Bracket (1) for Matrix 320 with 36 LEDs illuminator

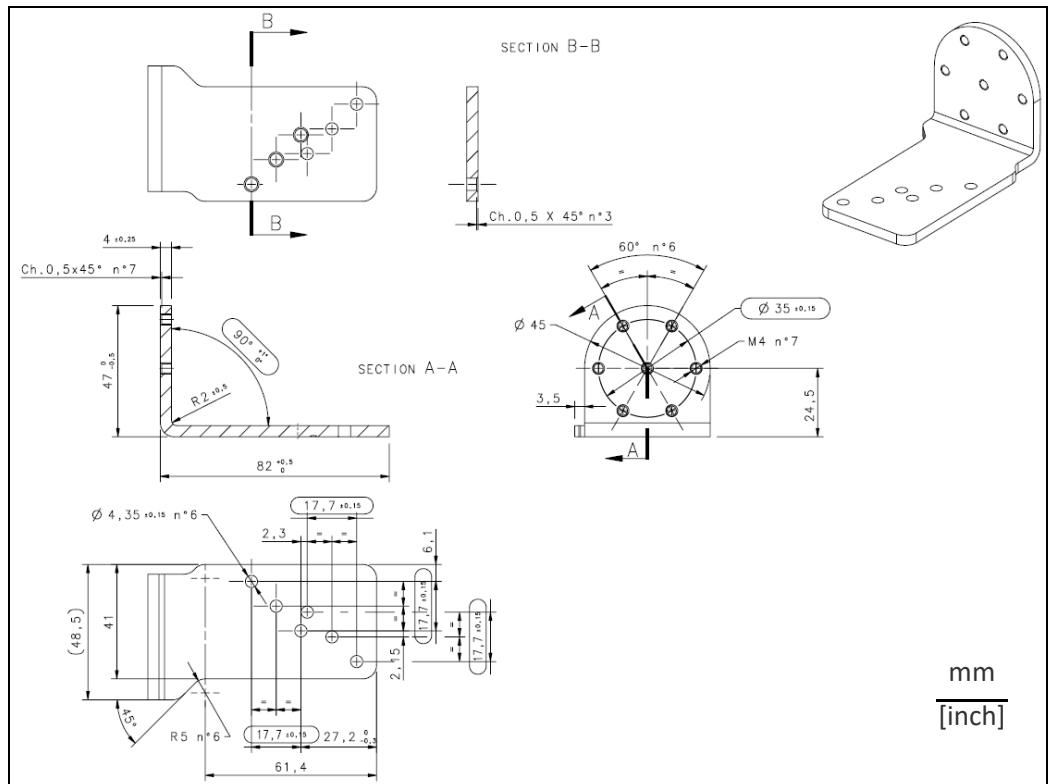


Figure 33 - Overall Dimensions: BK-32-00 Pivot Fix Bracket (2) for Matrix 320 with 36 LEDs illuminator

## MOUNTING AND POSITIONING MATRIX 320

The following accessory mounting brackets are available for mounting and positioning Matrix 320:

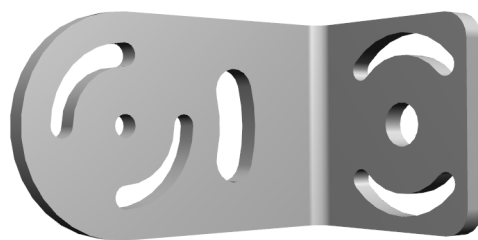


Figure 34 - BK-32-000 Standard Fix Bracket

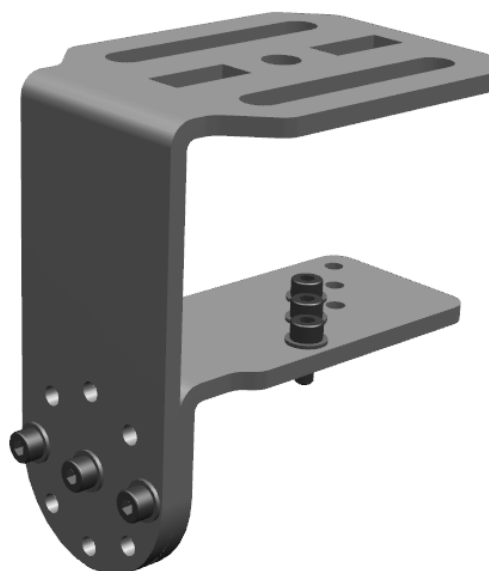
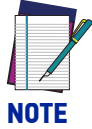


Figure 35 - BK-32-010 Pivot Fix Bracket

## Mounting the BK-32-00 Standard Fix Bracket

The package contains the following materials to mount the Standard Fix Bracket:

- 1 Standard Fix Bracket
- 3 silver screws
- 3 silver washers

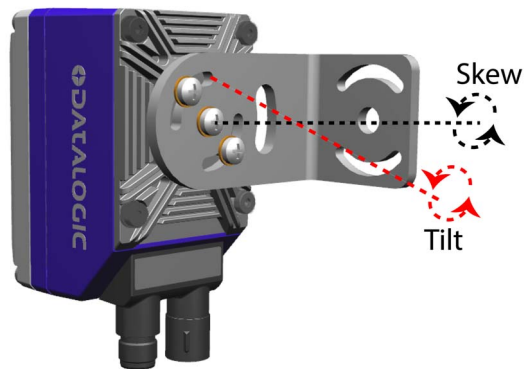


### NOTE

**Make sure that the heat sink is already installed on the reader before mounting the bracket (refer to the Heat Sink Mounting Instructions provided in the package).**

To install the bracket on the reader, follow this procedure:

1. Insert the silver screws and silver washers through the bracket and thread them loosely into the heat sink. The bracket is provided with curved slots both on the reader side and the frame side, which allow installing the bracket on various axes.



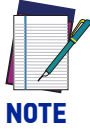
**Figure 36 - Positioning with Standard Fix Bracket**

2. Tighten the screws.

## Mounting the BK-32-010 Pivot Fix Bracket

The package contains the following materials to mount the Pivot Fix Bracket:

- 1 Pivot Fix Bracket (body side)
- 1 Pivot Fix Bracket (frame side)
- 6 silver screws
- 6 silver washers

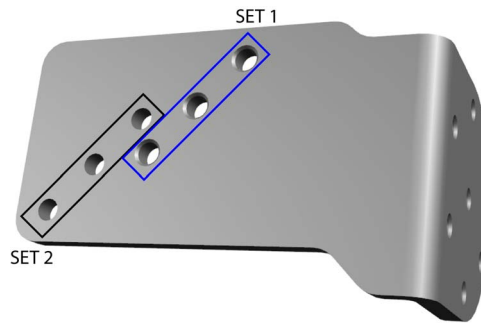


**NOTE**

**Make sure that the heat sink is already installed on the reader before mounting the bracket (refer to the Heat Sink Mounting Instructions provided in the package).**

The body side of the Pivot Fix Bracket has two hole sets to be used based on the desired installation. The two sets can be identified by the different machining on the holes (see Figure 37):

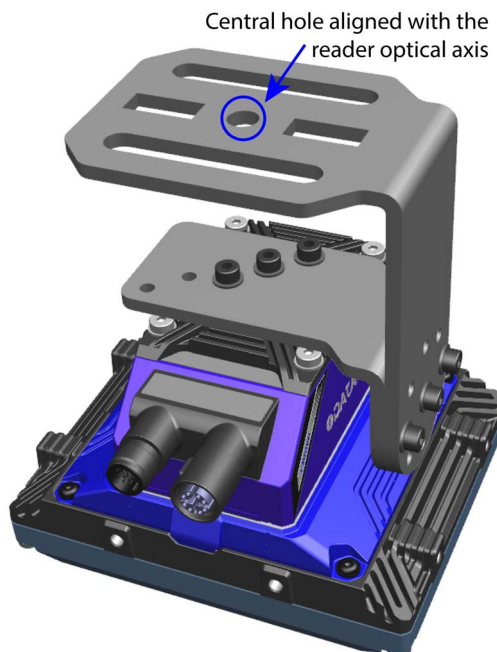
- SET 1 with countersunk holes, used for **Compact Mounting**;
- SET 2 with standard holes, used for **Extended Mounting**.



**Figure 37 - Pivot Fix Bracket (body side)**

### Compact Mounting

Compact mounting allows installations with minimal side space and reader optical axis aligned with the bracket central hole.



**Figure 38 - Compact mounting**



## Extended Mounting

Extended mounting allows:

- side installations with wider range of tilt angles than compact mounting (because the side bracket frame is outside the reader volume):

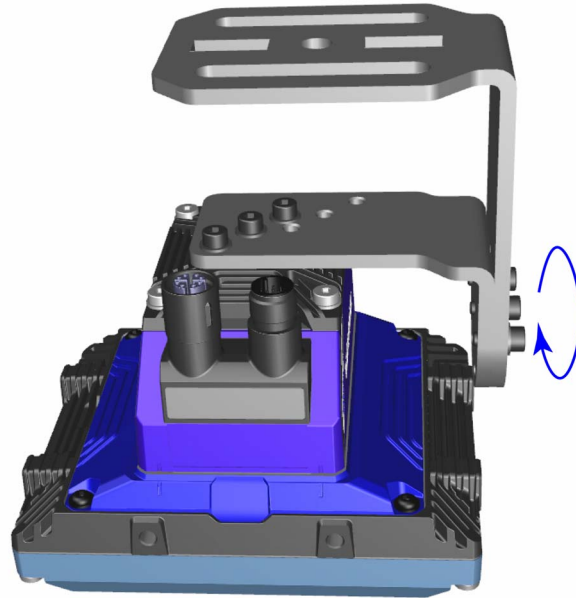


Figure 39 - Extended mounting

- frontal installations:

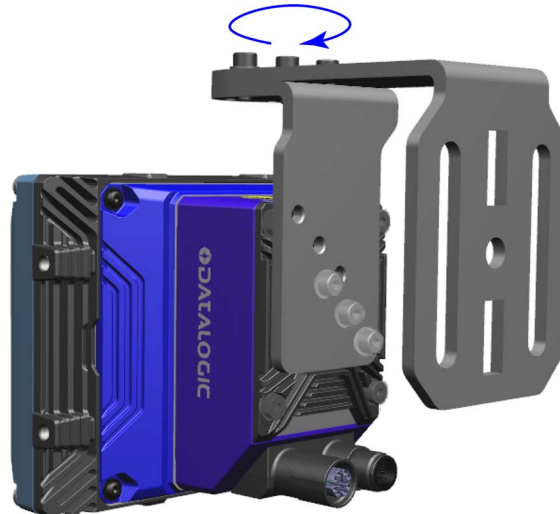


Figure 40 - Front extended mounting

Mount the body side of the Pivot Fix Bracket onto the heat sink of the reader using the proper set of holes depending on the desired mounting.

To correctly couple the body-side bracket and the frame-side bracket, follow this procedure:

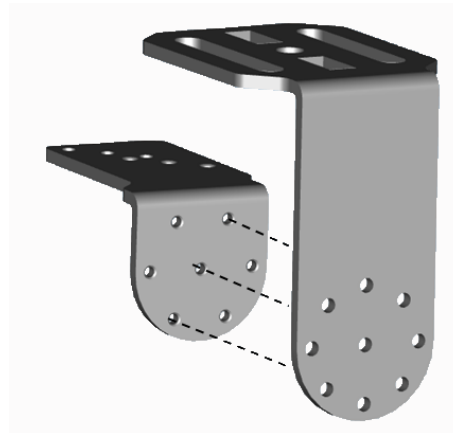
1. Insert the silver screw and silver washer through the central hole of the frame bracket. Thread the screw loosely into the body-side bracket. This screw can be used as pivot to ease the rotation of the body bracket.
2. Set the desired skew angle by rotating the body-side bracket and aligning two holes (opposite to the central hole) between the body-side bracket and the frame-side bracket.

3. Tighten two silver screws and two silver washers into the aligned holes to secure the position. Finally tighten the central screw.



**NOTE**

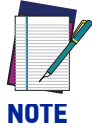
**The particular distribution of the holes on the two brackets allows easy adjustment of the skew angle in steps of 15°.**



**Figure 41 - Skew angle adjustment**

Matrix 320 is able to decode code labels at a variety of angles; however significant angular distortion may degrade reading performance.

When mounting Matrix 320, take into consideration these **ideal** label position angles: **Pitch or Skew 10° to 20° and Tilt 0°.**

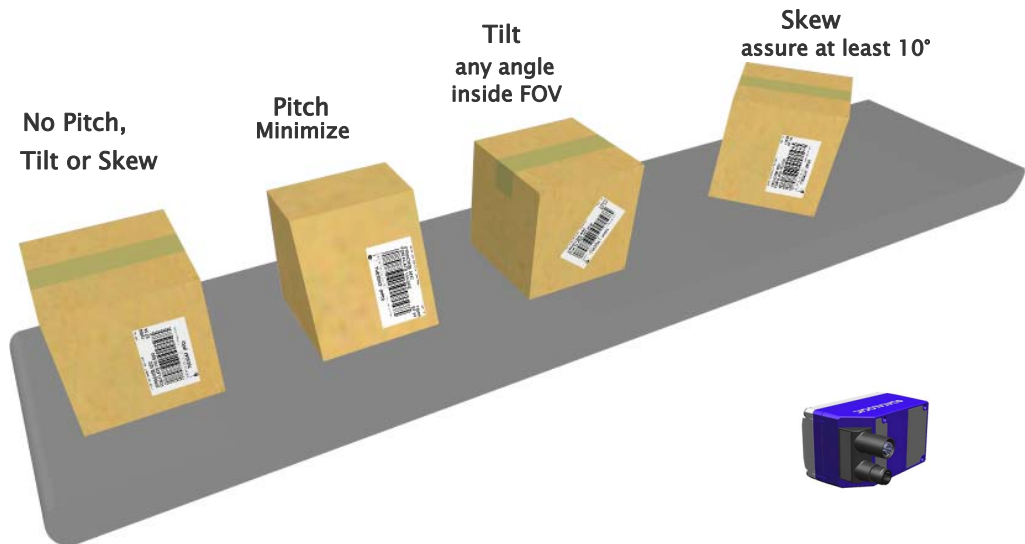


**NOTE**

**Since Matrix 320 is omni-directional on the code plane, the Pitch and Skew angles have the same significance with respect to the code plane. However in some advanced code reading applications performance can be improved by modifying the Skew angle.**

The **Pitch, Skew and Tilt** angles are represented in Figure 42. Follow the suggestions below for the best orientation:

Position the reader in order to avoid the direct reflection of the light emitted by the Matrix 320 reader; it is advised to **assure at least 10°** for the Skew angle.



**Figure 42 - Pitch, Tilt, and Skew Angles**

In some cases, such as low contrast or low illumination, it can be useful to use a **Pitch or Skew** angle = 0°.

The **Tilt** angle is also represented in Figure 42. Matrix 320 can read labels with any tilt angle. Keep in mind however, that since linear barcodes are rectangular, the reader should be aligned to fit them into the horizontal FOV.

See [Chapter 6, Reading Features](#) for FOV vs. Reading Distance considerations.

# CHAPTER 4

## CBX ELECTRICAL CONNECTIONS

---

All Matrix 320 models can be connected to a CBX connection box through one of the available **CAB-DSxx-S** accessory cables. These accessory cables terminate in a 17-pin connector on the Matrix 320 side and in a 25-pin male D-sub connector on the CBX side.

We recommend making system connections through one of the CBX connection boxes since they offer the advantages of easy connection, easy device replacement, opto-isolated output signals, and filtered reference signals.



### NOTE

**If you require direct wiring to the reader the connections are the same as shown in this chapter with the exception of the digital Outputs. Direct wiring details are indicated in Appendix A.**



### NOTE

**To avoid electromagnetic interference when the reader is connected to a CBX connection box, verify the jumper positions in the CBX as indicated in its Installation Manual.**

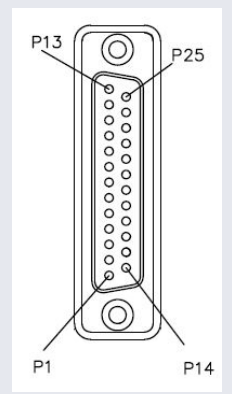
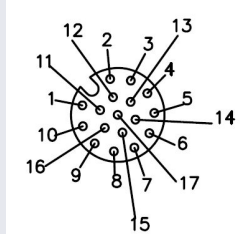
## CBX CONNECTION BOX PINOUT

The table below gives the pinout of the CBX100/500 terminal block connectors. Use this pinout when the Matrix 320 reader is connected by means of the CBX100/500:

Group	Label	Description
Input Power	Vdc	Power Supply Input Voltage +
	GND	Power Supply Input Voltage -
	Earth	Protection Earth Ground
Inputs	+V	Power Source - External Trigger
	I1A	External Trigger A (polarity insensitive)
	I1B	External Trigger B (polarity insensitive)
	-V	Power Reference - External Trigger
	+V	Power Source - Inputs
	I2A	Input 2 A (polarity insensitive)
	I2B	Input 2 B (polarity insensitive)
	-V	Power Reference - Inputs
Outputs	+V	Power Source - Outputs
	-V	Power Reference - Outputs
	O1+	Output 1 + opto-isolated and polarity sensitive
	O1-	Output 1 - opto-isolated and polarity sensitive
	O2+	Output 2 + opto-isolated and polarity sensitive
	O2-	Output 2 - opto-isolated and polarity sensitive
	O3A	Output 3 - non opto-isolated (only available through CBX500)
Auxiliary Interface	TX	Transmit Data
	RX	Receive Data
	SGND	Auxiliary Interface Signal Ground
ID-NET	REF	Network Reference
	ID+	ID-NET network data +
	ID-	ID-NET network data -
	Shield	Network Cable Shield
Main Interface	<b>RS232</b>	<b>RS422 Full Duplex</b>
	TX	TX+
	RX	*RX+
	-	TX-
	-	*RX-
	SGND	SGND

\* Do not leave floating, see "[RS422 Full Duplex Interface](#)" on page 65 for connection details.

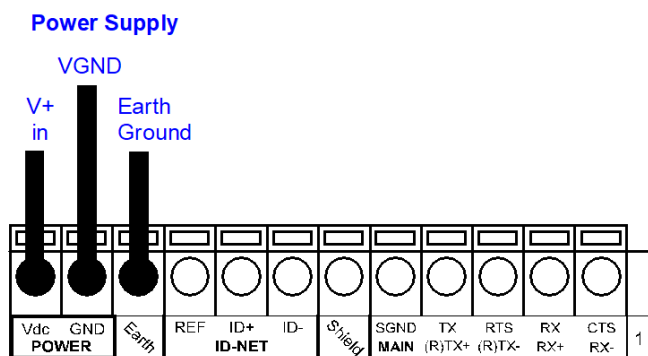
# CAB-DS0x-S PINOUT



17 PINS	NAME	25 PINS
1	VS	9-13
2	GND	7-25
6	XTRG_A	18
5	XTRG_B	19
13	IN2A	6
3	IN2B	10
16	OUT3	14-16
8	OUT2	11
9	OUT1	8
17	CO/TX	2
11	C2/RX	3
12	C1/RTS	4
10	C3/CTS	5
4	TXA	21
14	RXA	20
7	NET+	23
15	NET-	24
NUT	SHIELD	1
		12, 15, 17, 22 Not connected

## POWER SUPPLY

Power can be supplied to the reader through the CBX100/500 spring clamp terminal pins as shown in Figure 43:



**Figure 43 - Power Supply Connections**

The power must be between 10 and 30 Vdc only.

It is recommended to connect the device CHASSIS to earth ground (Earth) by setting the appropriate jumper in the CBX connection box. See the CBX Installation Manual for details.

# MAIN SERIAL INTERFACE



**Do not connect to the Main Interface spring clamp terminals if using Host Interface Modules (Fieldbus) with the CBX500.**

The signals relative to the following serial interface types are available on the CBX spring clamp terminal blocks.

The main serial interface type and its parameters (baud rate, data bits, etc.) can be defined by the user via DL.CODE software. For more details refer to the Help On Line page of the Reading Phase step (Channels) in DL.CODE.

Details regarding the connections and use of the interfaces are given in the next paragraphs.

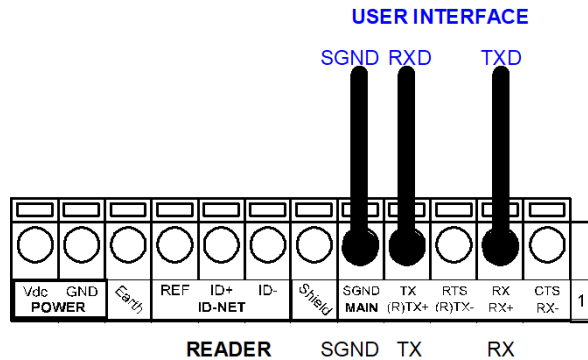
## RS232 Interface

The RS232 interface is generally used for Point-to-Point connections. When it is connected to the host computer it allows transmission of code data.

The following pins are used for RS232 interface connection:

CBX100/500	Description
TX	Transmit Data
RX	Receive Data
SGND	Signal Ground

It is always advisable to use shielded cables. The overall maximum cable length must be less than 15 m (49.2 ft).



**Figure 44 - RS232 Main Interface Connections**



## RS422 Full Duplex Interface

The RS422 full-duplex (5 wires + shield) interface is used for non-pollled communication protocols in point-to-point connections over longer distances (max 1200 m / 3940 ft) than those acceptable for RS232 communications or in electrically noisy environments.

The CBX pinout follows:

CBX100/500	Description
TX+	RS422 Transmit Data +
RX+	RS422 Receive Data +
TX-	RS422 Transmit Data -
RX-	RS422 Receive Data -
SGND	Signal Ground

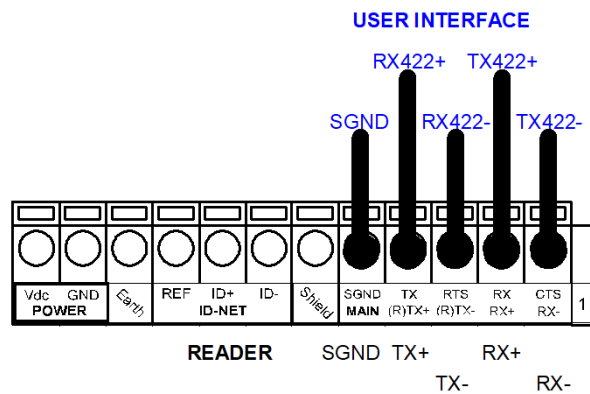


Figure 45 - RS422 Full Duplex Connections



For applications that do not use RS422 transmission to the reader (terminal block RX+ and RX- signals), do not leave these lines floating but connect them to SGND as shown below.

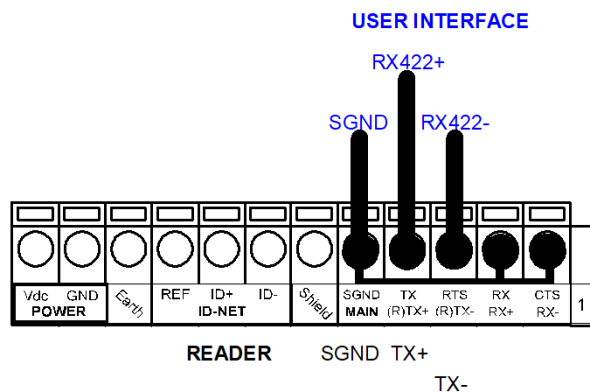


Figure 46 - RS422 Full Duplex Connections Using Only TX Signals to Host

## ID-NET INTERFACE

CBX100/500	Description
Shield	Network Cable Shield
ID+	ID-NET Network Data +
ID-	ID-NET Network Data -
REF	Network Reference

### ID-NET Cables

The following instructions are referred to Figure 48, Figure 49 and Figure 50.

- The general cable type specifications are: CAT5 twisted pair + additional CAT5 twisted pair, shielded cable AWG 24 (or AWG 22) stranded flexible.  
We recommend using DeviceNet cables (drop or trunk type) to the following reference standards:  
 AN50325 – IEC 62026  
 UL STYLE 2502 80°C 30V
- Cable Shield MUST be connected to earth ground ONLY at the Master.
- NEVER use ID-NET cable shield as common reference.
- The ID-NET max cable length depends on the baudrate used (see the Baudrate Table below).
- For Common Power Connections use only 2 wires (ID+ and ID-).
  - DC Voltage Power cable (Vdc – GND) should be handled as a signal cable (i.e. do not put it together with AC cable):
  - Wire dimensioning must be checked in order to avoid voltage drops greater than 0.8 Volts.
  - Cable should lie down as near as possible to the ID-NET cable (avoiding wide loops between them).
- Reader's chassis may be connected to earth.
- Network inside the same building.

Baudrate Table				
Baudrate	125 kbps	250 kbps	<b>500 kbps</b>	1 Mbps
Cable Length	1200 m	900 m	<b>700 m</b>	*

\* Application dependent, contact your Datalogic representative for details.



**NOTE**

**The default ID-NET baudrate is 500 kbps. Lower ID-NET baudrates allow longer cable lengths.**

## ID-NET Response Time

The following figure shows the response time of the ID-NET network. This time is defined as the period between the Trigger activation and the beginning of data transmission to the Host.

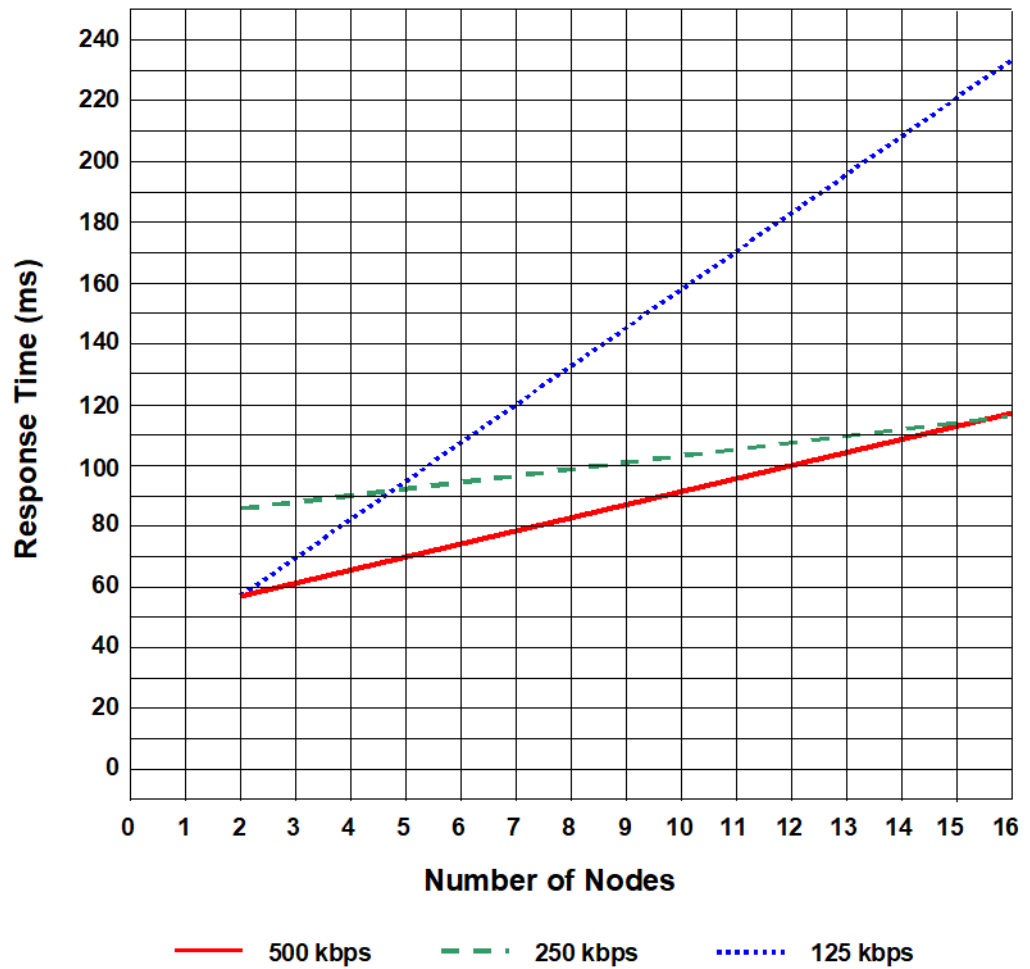


Figure 47 - ID-NET Response Time

### Conditions

- ID-NET M/S Synchronized layout
- message length = 50 bytes per node

## ID-NET Network Termination

The network must be properly terminated in the first and last reader of the network. This is done by setting the ID-NET Termination Resistance Switch in the CBX100/500 to ON.

## ID-NET Connection Diagrams

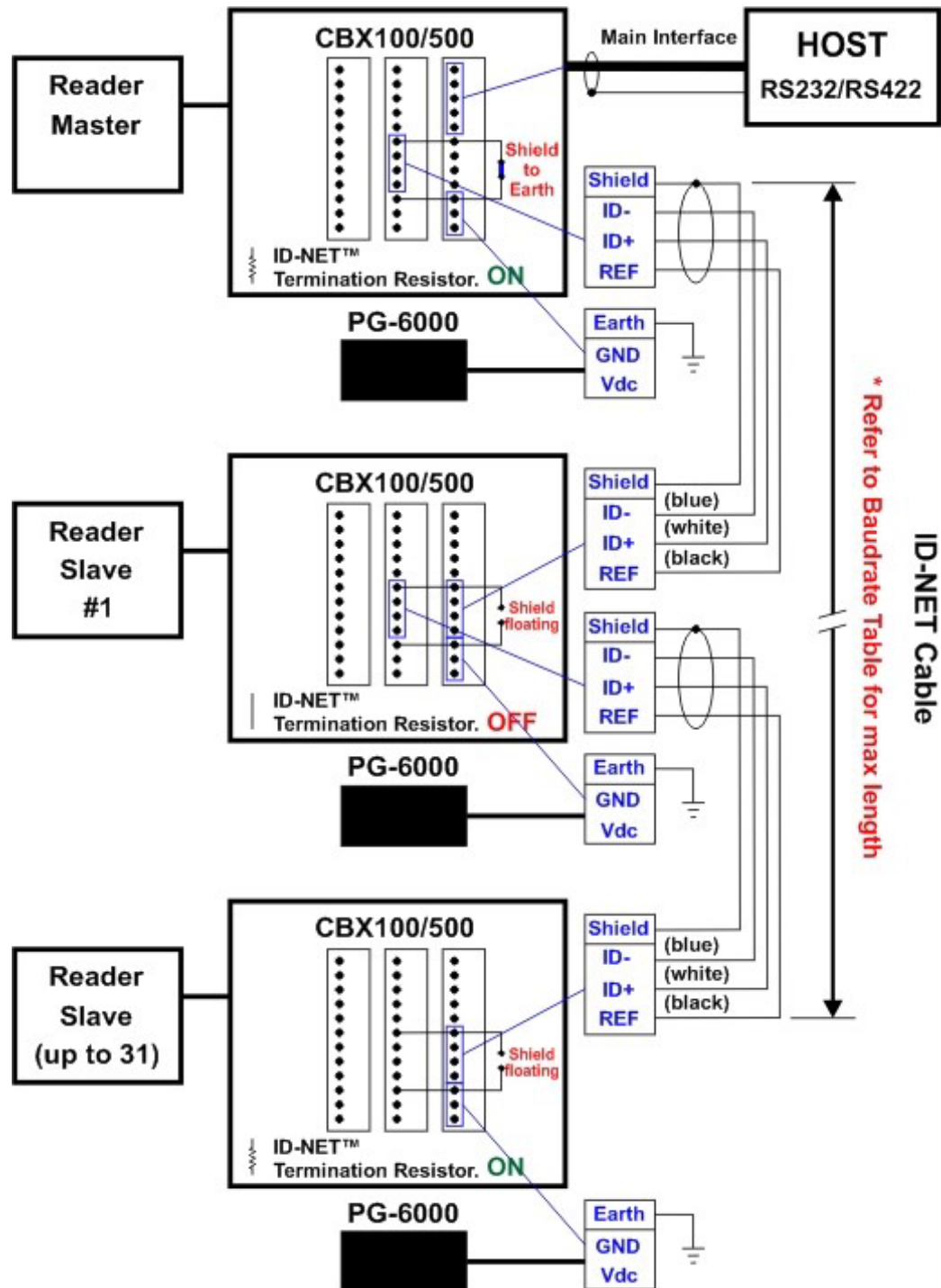


Figure 48 - ID-NET Network Connections with isolated power blocks

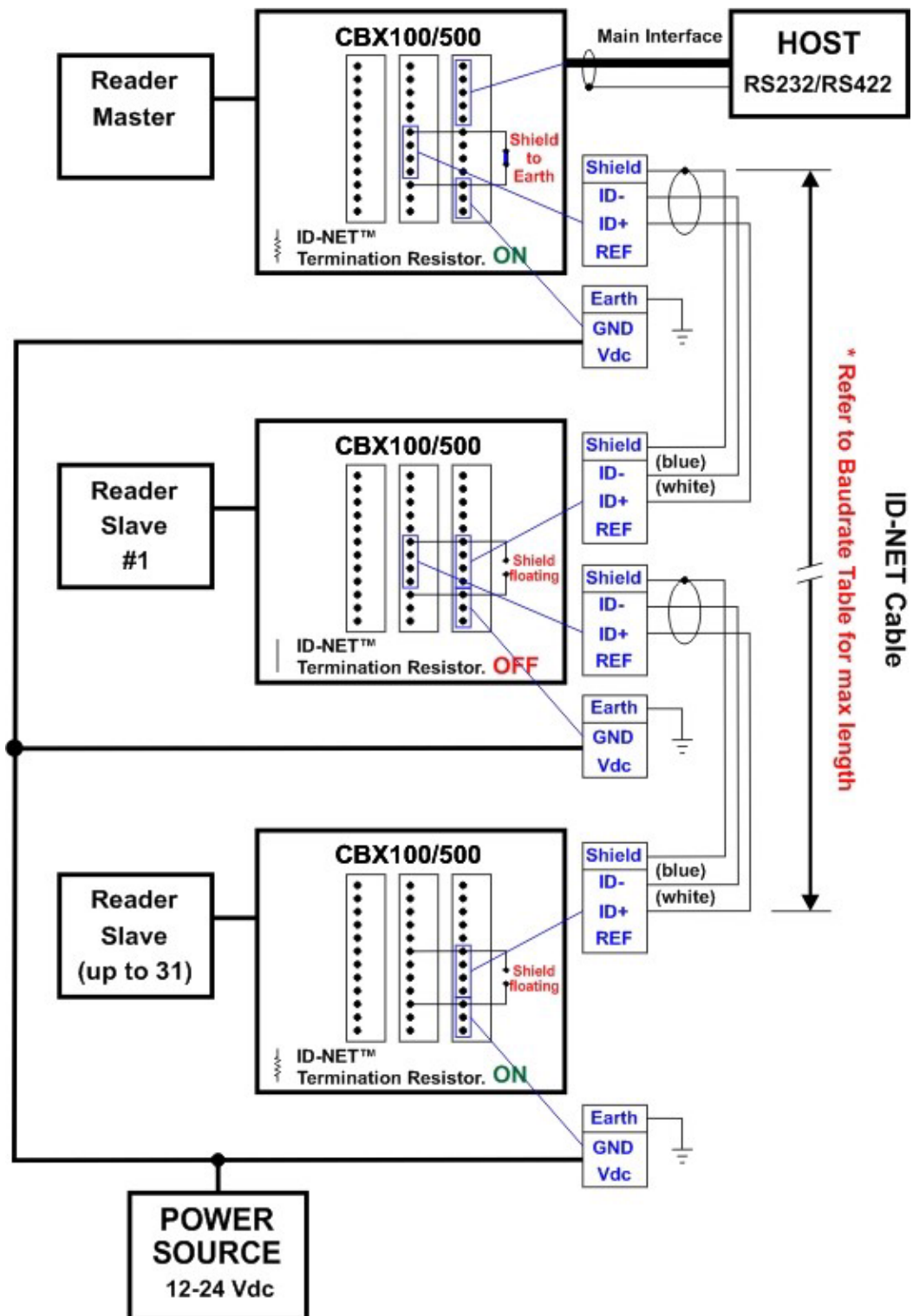


Figure 49 - ID-NET Network Connections with Common Power Branch Network

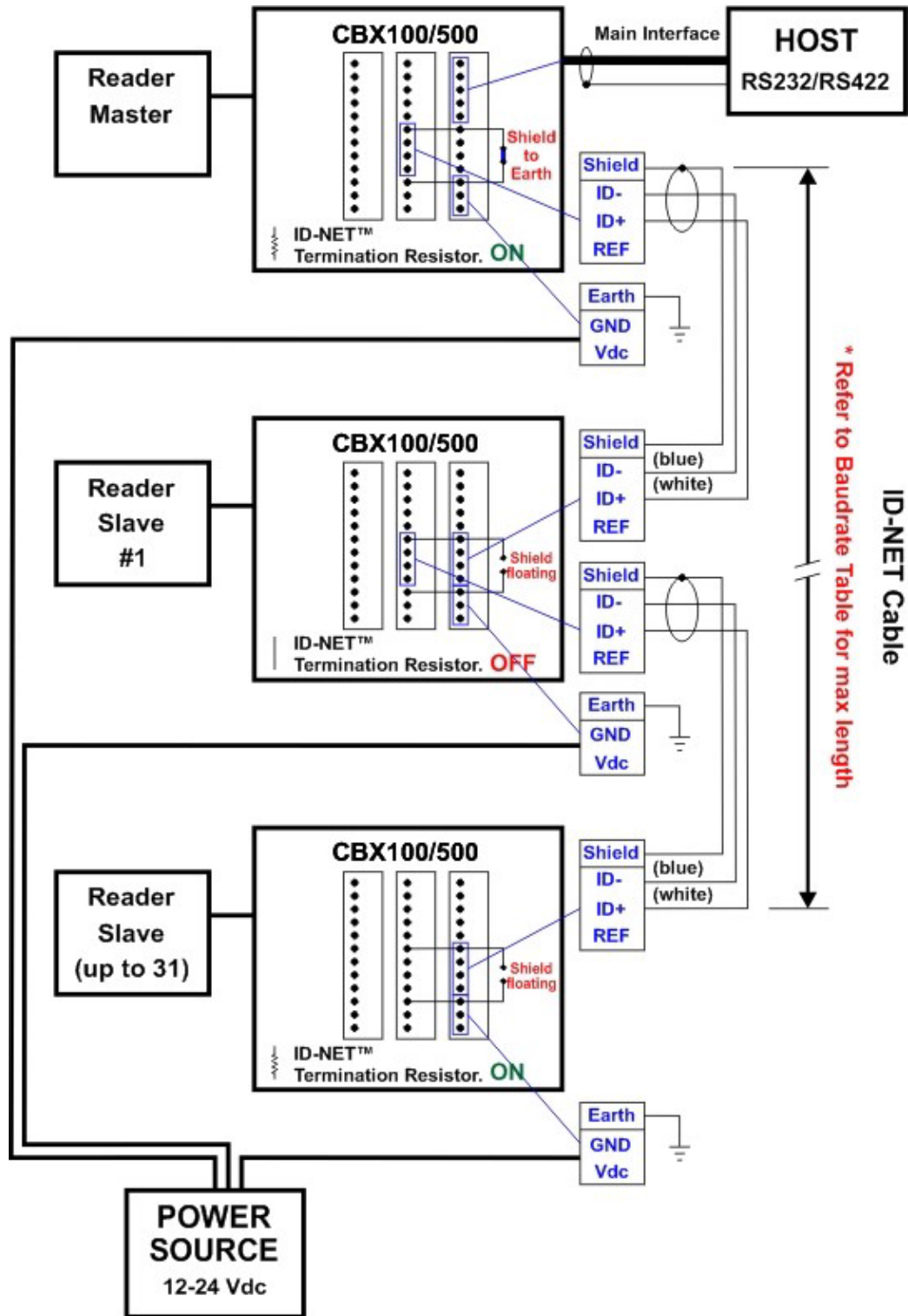


Figure 50 - ID-NET Network Connections with Common Power Star Network

# AUXILIARY RS232 INTERFACE

The RS232 auxiliary interface is available for Point-to-Point connections. When it is connected to the host computer it allows transmission of code data.

The parameters relative to the aux interface (baud rate, data bits, etc.) can be defined through the Reading Phase step (Channels) in DL.CODE.

The 9-pin female Auxiliary Interface connector inside the CBX is the preferred connector for temporary communication monitoring.

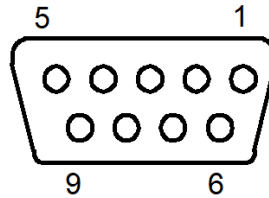


Figure 51 - 9-pin female connector

If permanent system wiring is required, the following pins are used to connect the RS232 auxiliary interface:

CBX100/500	Description
TX	Auxiliary Interface Transmit Data
RX	Auxiliary Interface Receive Data
SGND	Auxiliary Interface Reference

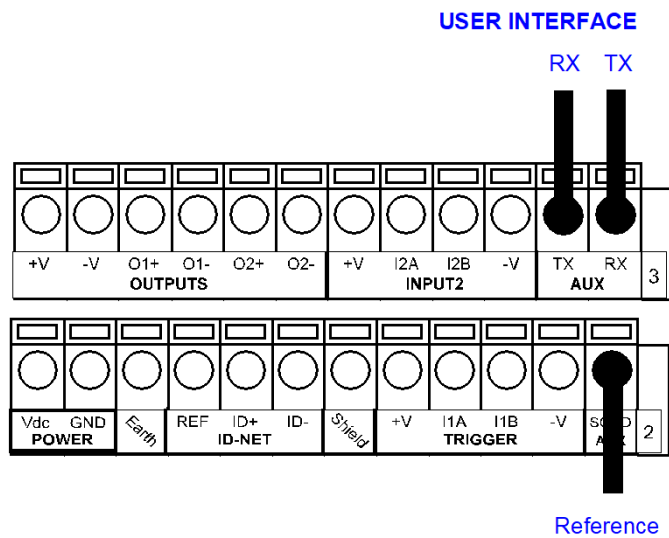


Figure 52 - RS232 Auxiliary Interface Connections



**Do not connect the Aux Interface to the CBX spring clamp connectors and the 9-pin connector simultaneously.**

# INPUTS

There are two optocoupled polarity insensitive inputs available on the reader: Input 1 (External Trigger) and Input 2, a generic input:

The External Trigger can be used in One Shot Mode or in Phase Mode. Its main functions are:

- acquisition trigger in One Shot Mode
- reading phase-ON/reading phase-OFF command in Phase Mode

The main functions of the general purpose Input 2 are:

- second external trigger in Phase Mode
- match code storage command when the Match Code option is enabled

The electrical features of both inputs are:

$$V_{AB} = 30 \text{ Vdc max.}$$

$$I_{IN} = 10 \text{ mA (reader) + 12 mA (CBX) max.}$$

The active state of these inputs are selected in software.

An anti-disturbance filter, by default, is implemented in software on both inputs. The value can be changed through the software parameter Debounce Filter. See the Help On Line page of the Reading Phase step (Inputs) in DL.CODE for further details on these parameters.

These inputs are optocoupled and can be driven by both NPN and PNP type commands.



**NOTE**

**Polarity insensitive inputs assure full functionality even if pins A and B are exchanged.**

The connections are indicated in the following diagrams:

CBX100/500	Description
+V	Power Source - External Trigger
I1A	External Trigger A (polarity insensitive)
I1B	External Trigger B (polarity insensitive)
-V	Power Reference - External Trigger

The yellow Trigger LED is on when the active state of the External Trigger corresponds to ON.



## External Trigger Input Connections Using Matrix 320 Power



Power from the Vdc/GND spring clamps is available directly to the Input Device on the +V/-V spring clamps, and does not pass through the Power Switch (ON/OFF) inside the CBX. Disconnect the power supply when working inside the CBX.

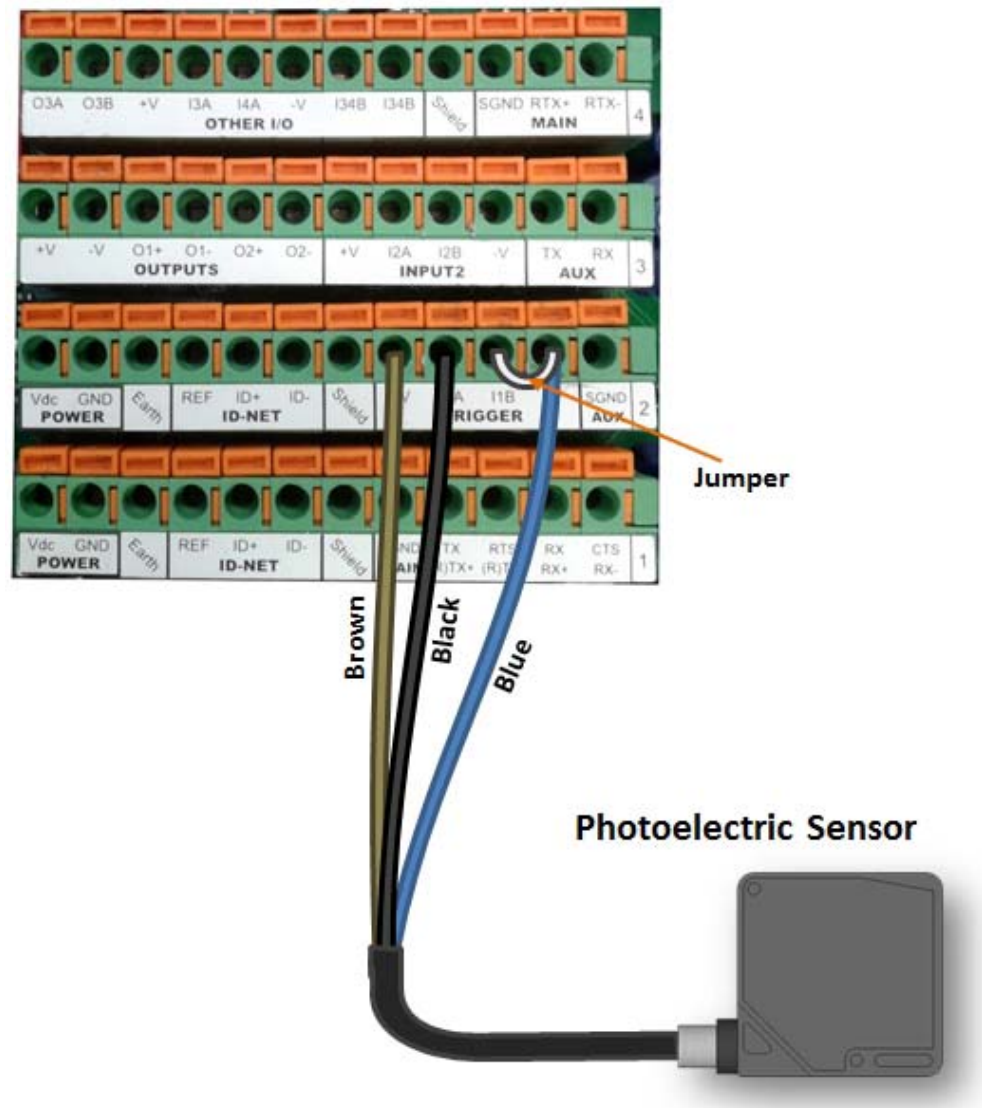


Figure 53 - PNP External Trigger Using Matrix 320 Power

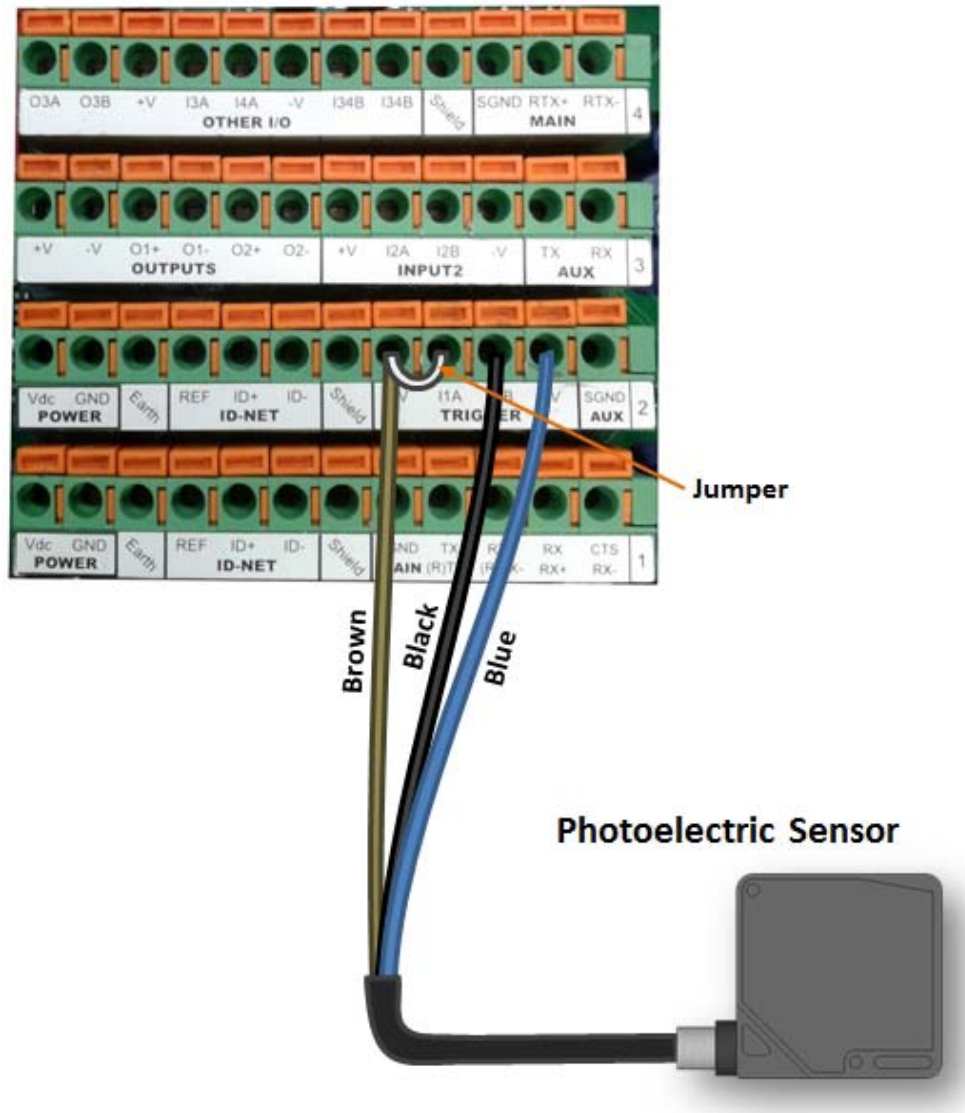


Figure 54 - NPN External Trigger Using Matrix 320 Power

## External Trigger Input Connections Using External Power

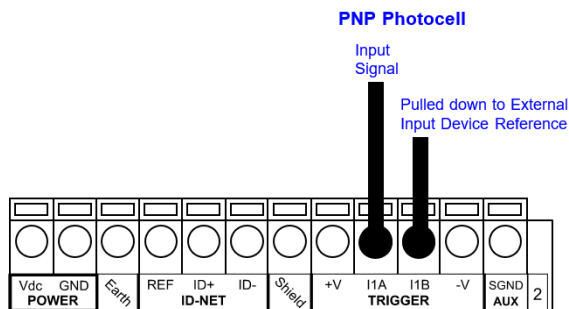


Figure 55 - PNP External Trigger Using External Power

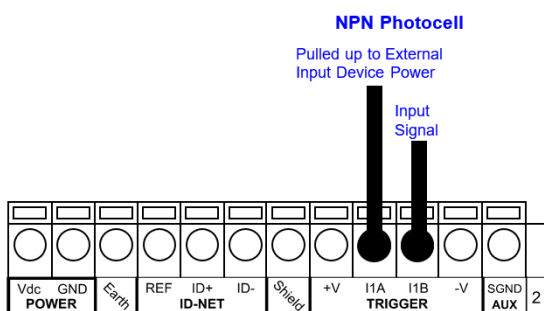


Figure 56 - NPN External Trigger Using External Power

CBX100/500	Description
+V	Power Source - External Trigger
I2A	Input 2 A (polarity insensitive)
I2B	Input 2 B (polarity insensitive)
-V	Power Reference - External Trigger

## Input 2 Connections Using Matrix 320 Power



Power from the Vdc/GND spring clamps is available directly to the Input Device on the +V/-V spring clamps, and does not pass through the Power Switch (ON/OFF) inside the CBX. Disconnect the power supply when working inside the CBX.

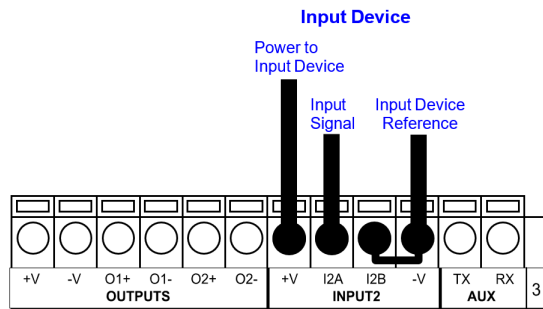


Figure 57 - PNP Input 2 Using Matrix 320 Power

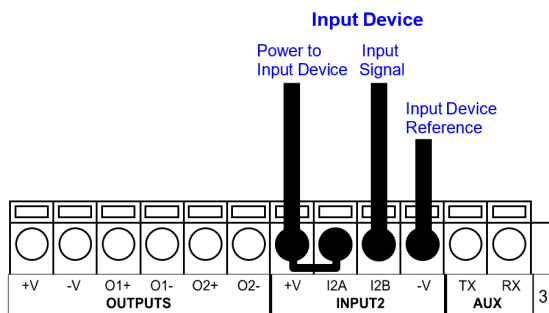


Figure 58 - NPN Input 2 Using Matrix 320 Power

## Input 2 Connections Using External Power

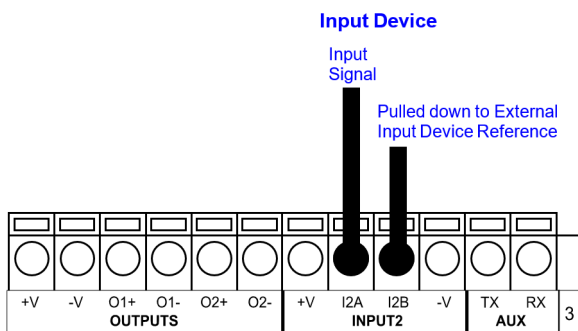


Figure 59 - PNP Input 2 Using External Power

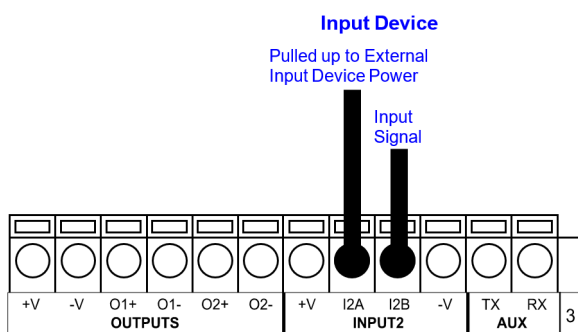


Figure 60 - NPN Input 2 Using External Power

## Input 3 Connections (CBX500 Only)

**RESERVED**

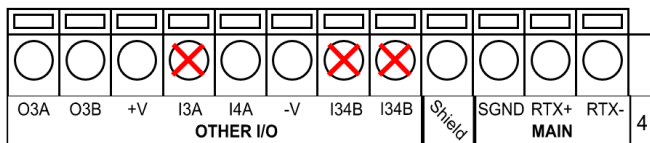


Figure 61 - Input 3 Using External Power



Do not connect to I3A or I34B signals, they are reserved.

# OUTPUTS



**CAUTION**

**When Outputs 1 and 2 are connected through the CBX connection box, they become opto-isolated and polarity sensitive and acquire the electrical characteristics listed below. To function correctly, they require setting the Output Line Type configuration parameters to NPN for the respective output. The hardware connection to the CBX can be either NPN or PNP.**

Three general purpose outputs are available and their meaning can be defined by the user. They are typically used either to signal the data collection result or to control an external lighting system.

CBX100/500	Description
+V	Power Source - Outputs
O1+	Output 1 + opto-isolated and polarity sensitive
O1-	Output 1 - opto-isolated and polarity sensitive
O2+	Output 2 + opto-isolated and polarity sensitive
O2-	Output 2 - opto-isolated and polarity sensitive
O3A	Output 3 non opto-isolated (only available on CBX500)
-V	Power Reference - Outputs

The electrical features of the outputs are the following:

Outputs 1 and 2	Output 3
$V_{CE} = 30 \text{ Vdc max.}$	Reverse-Polarity and Short-Circuit Protected
$I_{CE} = 40 \text{ mA continuous max.; } 130 \text{ mA pulsed max.}$	$V_{OUT} (I_{LOAD} = 0 \text{ mA}) \text{ max} = 30 \text{ Vdc}$
$V_{CE \text{ saturation}} = 1 \text{ Vdc max. @ } 10 \text{ mA}$	$V_{OUT} (I_{LOAD} = 100 \text{ mA}) \text{ max} = 3 \text{ Vdc}$
$P_D = 90 \text{ mW Max. @ } 50 \text{ }^\circ\text{C ambient temp.}$	$I_{LOAD} \text{ max} = 100 \text{ mA}$

By default, Output 1 is associated with the No Read event, which activates when the code(s) signaled by the external trigger are not decoded, and Output 2 is associated with the Good Read event, which activates when all the selected codes are correctly decoded.

The output signals are fully programmable being determined by the configured Activation/Deactivation events, Deactivation Timeout or a combination of the two. Refer to the DL.CODE parameters Help On Line for further details.

## Output 1 and 2 Connections Using Matrix 320 Power



Power from the Vdc/GND spring clamps is available directly to the Output Device on the +V/-V spring clamps, and does not pass through the Power Switch (ON/OFF) inside the CBX. Disconnect the power supply when working inside the CBX.

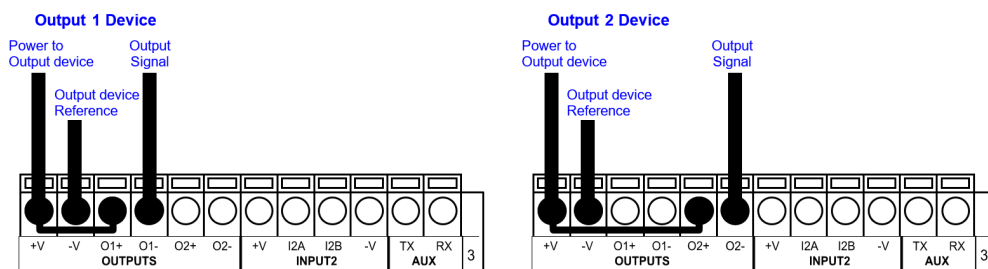


Figure 62 - PNP/Open Emitter Output Using Matrix 320 Power

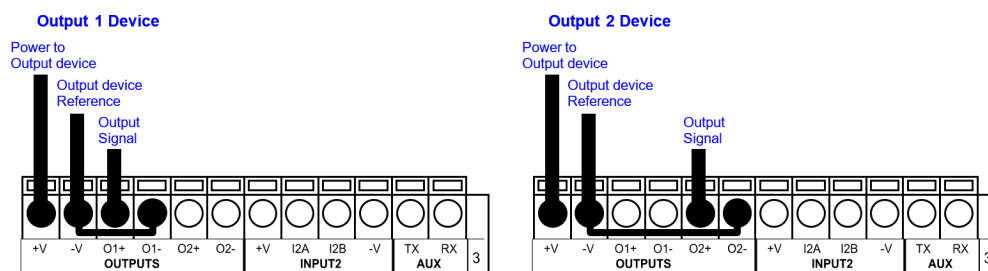


Figure 63 - NPN/Open Collector Output Using Matrix 320 Power

## Output 1 and 2 Connections Using External Power

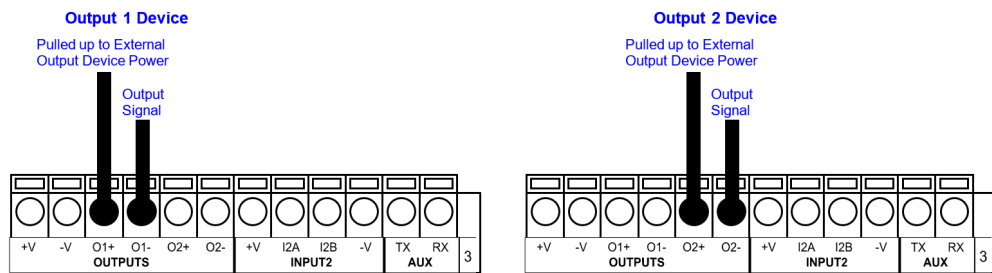


Figure 64 - PNP/Open Emitter Output Using External Power

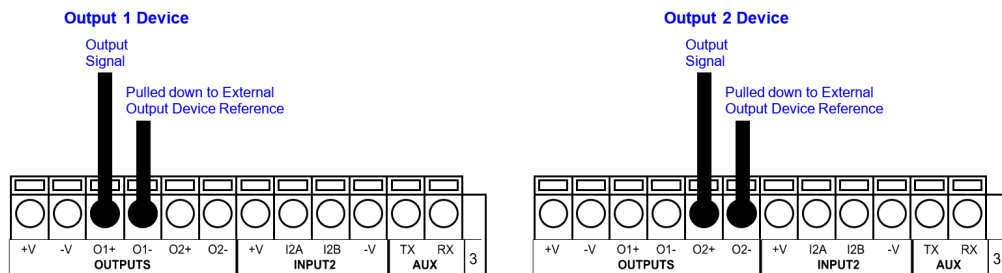


Figure 65 - NPN/Open Collector Output Using External Power

Output 3 is **not opto-isolated** but can be assigned to the same events. By default it is not assigned to any event. The CBX500 must be used to connect this output.



**NOTE**

For Output 3, set the Line Type configuration parameter according to the hardware connection to the CBX: NPN, PNP or Push-Pull.



## Output 3 Connections Using Matrix 320 Power (CBX500 Only)

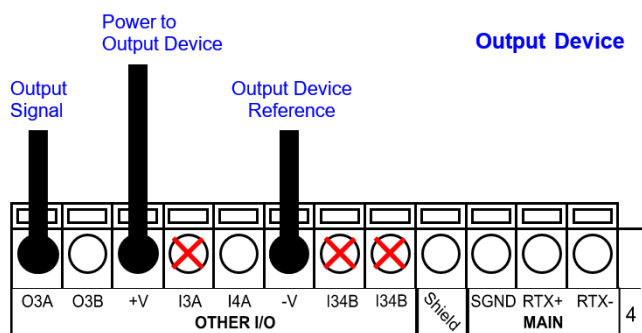


Figure 66 - Output 3 Using Matrix 320 Power

## Output 3 Connections Using External Power (CBX500 Only)

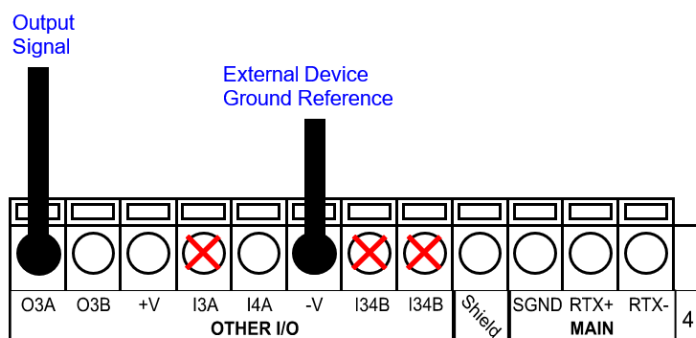


Figure 67 - Output 3 Using External Power



Do not connect to I3A or I34B signals, they are reserved.

## ON-BOARD ETHERNET INTERFACE

The on-board Ethernet Interface can be used for TCP/IP communication with a remote or local host computer by connecting the reader to either a LAN or directly to a host PC. There is no need to use a crossover adapter since Matrix 320 incorporates an auto-cross function.

A **CAB-ETH-X-M0x** cable can be used to connect to a LAN.

On the Matrix 320 on-board Ethernet interface the following communication channels are available:

- TCP Client
- TCP Server
- UDP Channel
- FTP Client

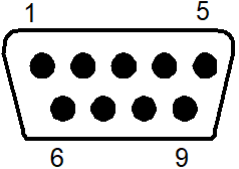
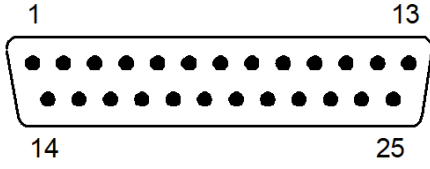
The following Fieldbus protocols are also available over the on-board Ethernet interface:

- EtherNet/IP
- PROFINET IO
- Modbus TCP Client
- Modbus TCP Server
- SLMP

For further details refer to the Help On Line page of the Reading Phase step (Channels) and (Fieldbuses) in DL.CODE.

## USER INTERFACE - SERIAL HOST

The following table contains the pinout for standard RS232 PC Host interface. For other user interface types please refer to their own manual.

RS232 PC-side Connections			
 <p>9-pin male connector</p>		 <p>25-pin male connector</p>	
Pin	Name	Pin	Name
2	RX	3	RX
3	TX	2	TX
5	GND	7	GND

# CHAPTER 5

## TYPICAL LAYOUTS

---

The following typical layouts refer to system hardware configurations. However, they also require the correct setup of the software configuration parameters. Dotted lines in the figures refer to optional hardware configurations within the particular layout.



### NOTE

All software configurations are made through DL.CODE which connects to the reader through the on-board Ethernet interface.



### NOTE

DL.CODE now supports several different multi device configuration types using the PASS-THROUGH configuration. In particular this feature allows MULTIDATA ID-NET network configurations to be made. Master/Slave SYNCHRONIZED ID-NET network configurations are also configurable as before.



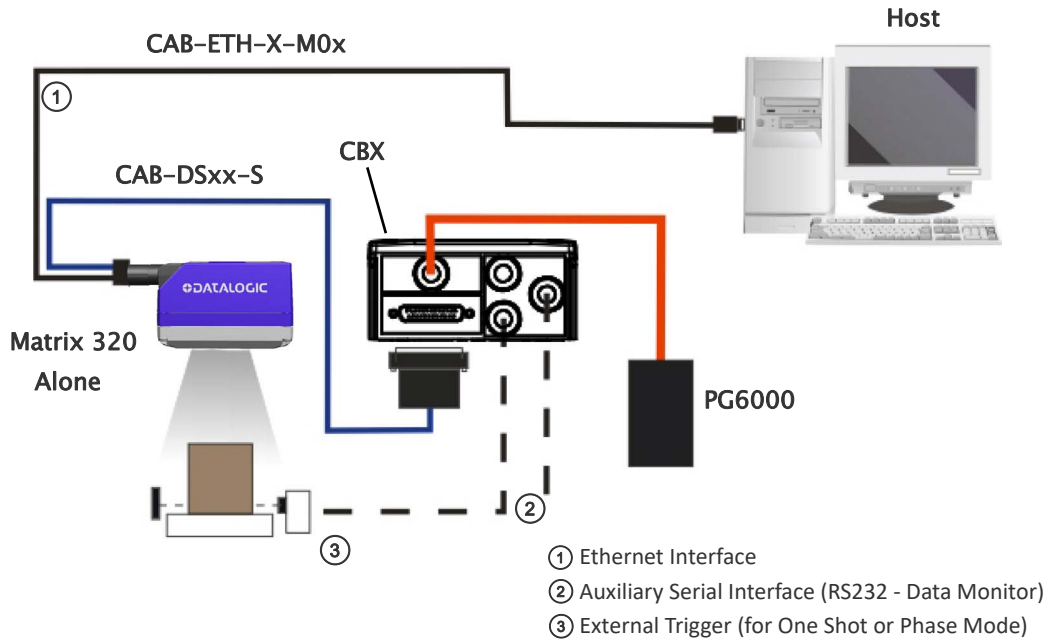
### NOTE

The Master/Slave Role is only significant for the Internal ID-NET Network. If your layout doesn't use the ID-NET network then the device's Role is not significant and can be ignored.

## ETHERNET CONNECTION

The Ethernet connection is possible in two different layouts.

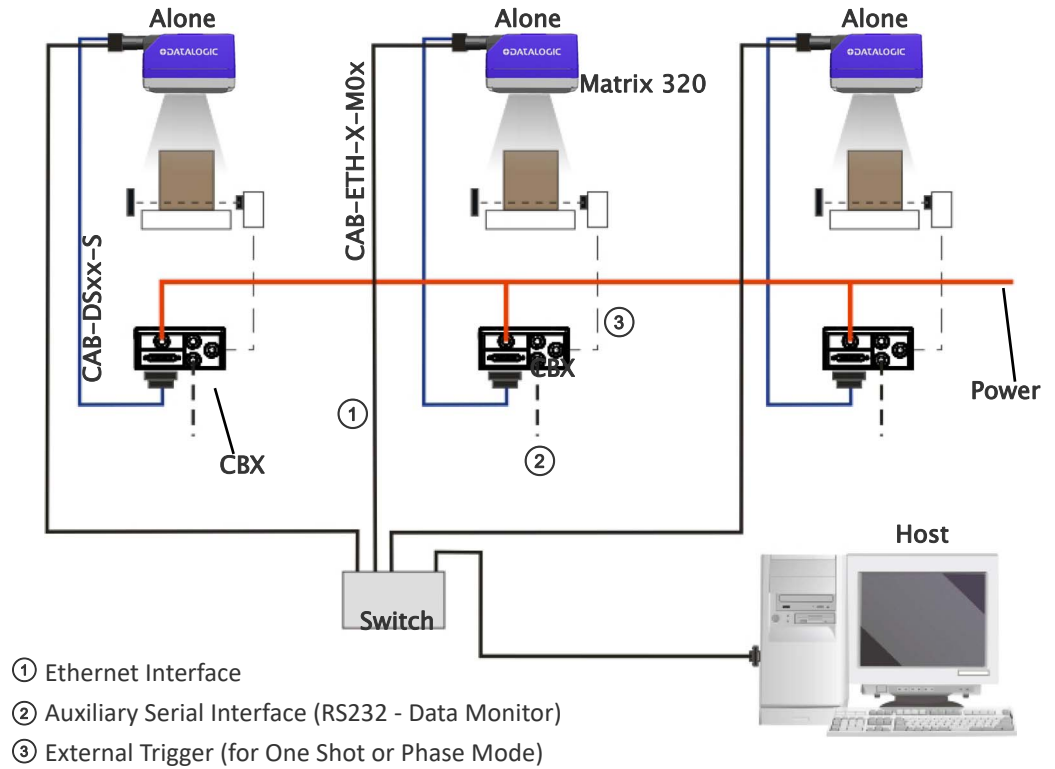
In a Point-to-Point layout the reader is connected to a local host by using a CAB-ETH-X-M0x cable. There is no need to use a crossover adapter since Matrix 320 incorporates an autocross function.



**Figure 68 - Ethernet Point-to-Point Layout**

All devices always support multiple output channels (i.e. for data monitoring).

When using a Local Area Network (LAN), one or more Matrix 320 readers can be connected to the network by using **CAB-ETH-X-M0x** cables:



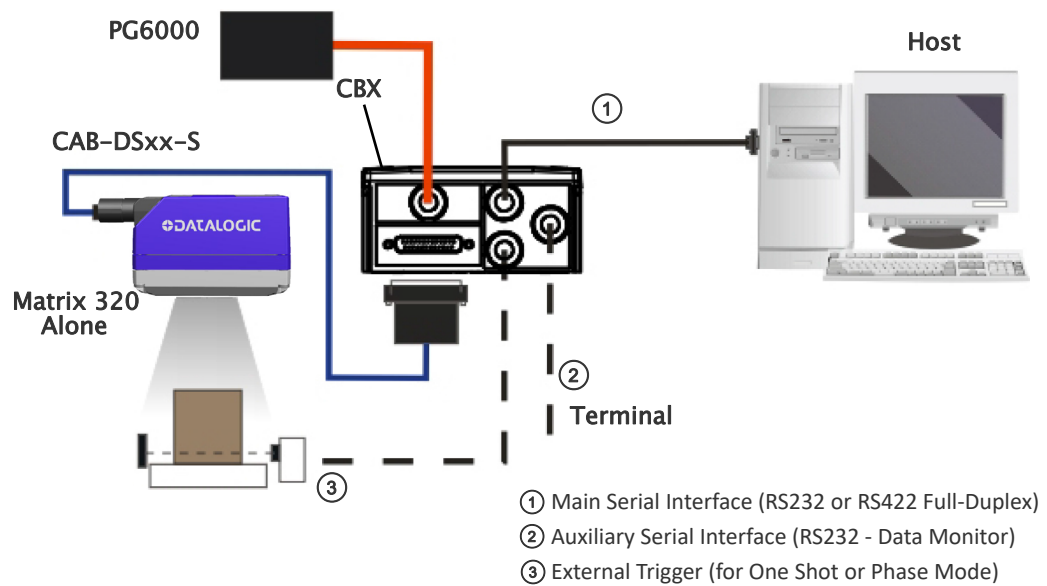
**Figure 69 - Ethernet Network Layout**

## SERIAL CONNECTION

In this layout the data is transmitted to the Host on the main serial interface. The Ethernet interface can be used for reader configuration by connecting a laptop computer running DL.CODE.

Data can be transmitted on the RS232 auxiliary interface independently from the main interface selection to monitor data.

When One Shot or Phase Mode operating mode is used, the reader can be activated by an External Trigger (for example a pulse from a photoelectric sensor) when the object enters its reading zone.



**Figure 70 - Serial Interface Point-to-Point Layout**

All devices always support multiple output channels (i.e. for data monitoring).

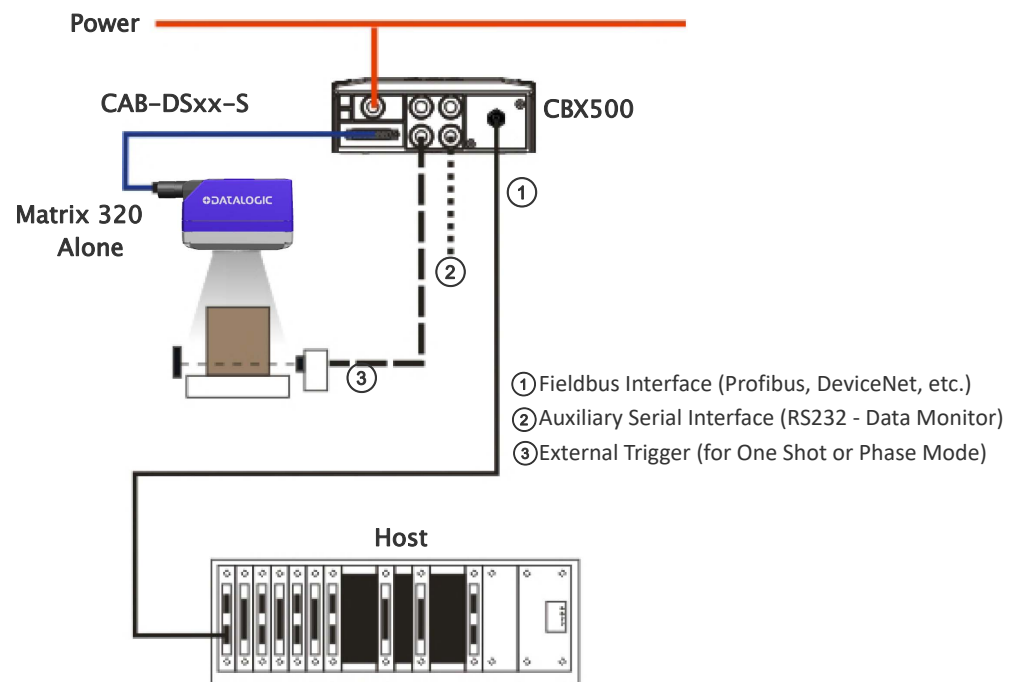
# FIELDBUS CONNECTION

In this layout a single reader functions as a Slave node on a Fieldbus network. The data is transmitted to the Host through an accessory Fieldbus interface board installed inside the CBX500 connection box.

Reader configuration can be accomplished through the Ethernet interface using the DL.CODE configuration program.

Data can be transmitted on the RS232 auxiliary interface independently from the Fieldbus interface selection to monitor data.

When One Shot or Phase Mode operating mode is used, the reader can be activated by an External Trigger (photoelectric sensor) when the object enters its reading zone.



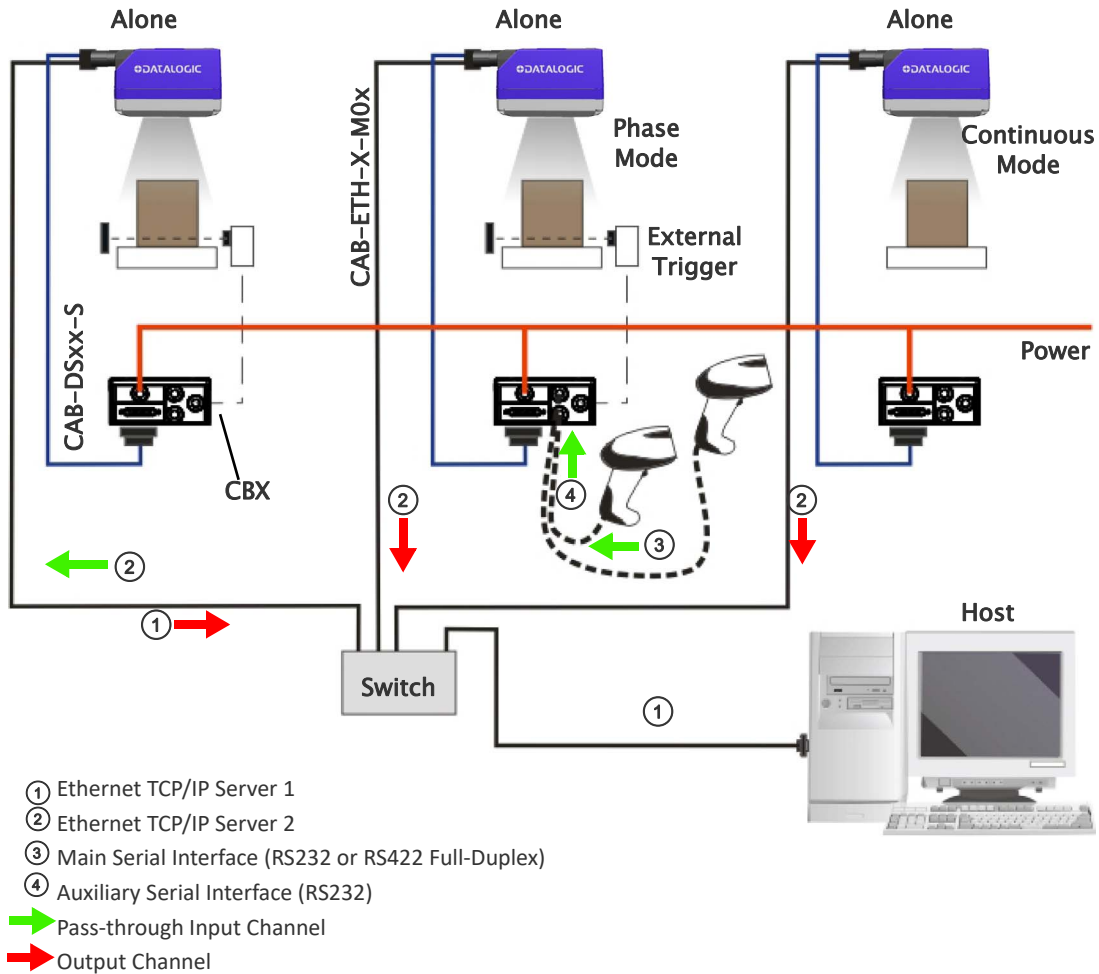
**Figure 71 - Fieldbus Interface Point-to-Point Layout**

All devices always support multiple output channels (i.e. for data monitoring).

# PASS-THROUGH

The pass-through layout allows each device **working Alone**, to collect data from one or more pass-through input channels and send this data plus its own on one or more different output channels.

In this way independent devices can be connected together in combinations to create multi device networks. Many devices reading independently can send their messages through a common output channel which instead of being directed at a Host can be collected by another device on its pass-through input channel and sent to a Host on a different output channel.



**Figure 72 - Pass-Through Layout**

In a Pass-through layout each device supports multiple pass-through configurations to accept input from different devices on different channels (i.e. middle reader above). However, readers are not required to have a pass-through configuration if they don't need to receive data from an input channel (i.e. right reader above). The overall data collection device always has at least one pass-through configuration to collect the input data from the other devices and send it to the Host (i.e. left reader above).

All devices always support multiple output channels (i.e. for data monitoring).

In a Pass-through layout each device can have a different operating mode: Continuous, One Shot, Phase Mode, etc.

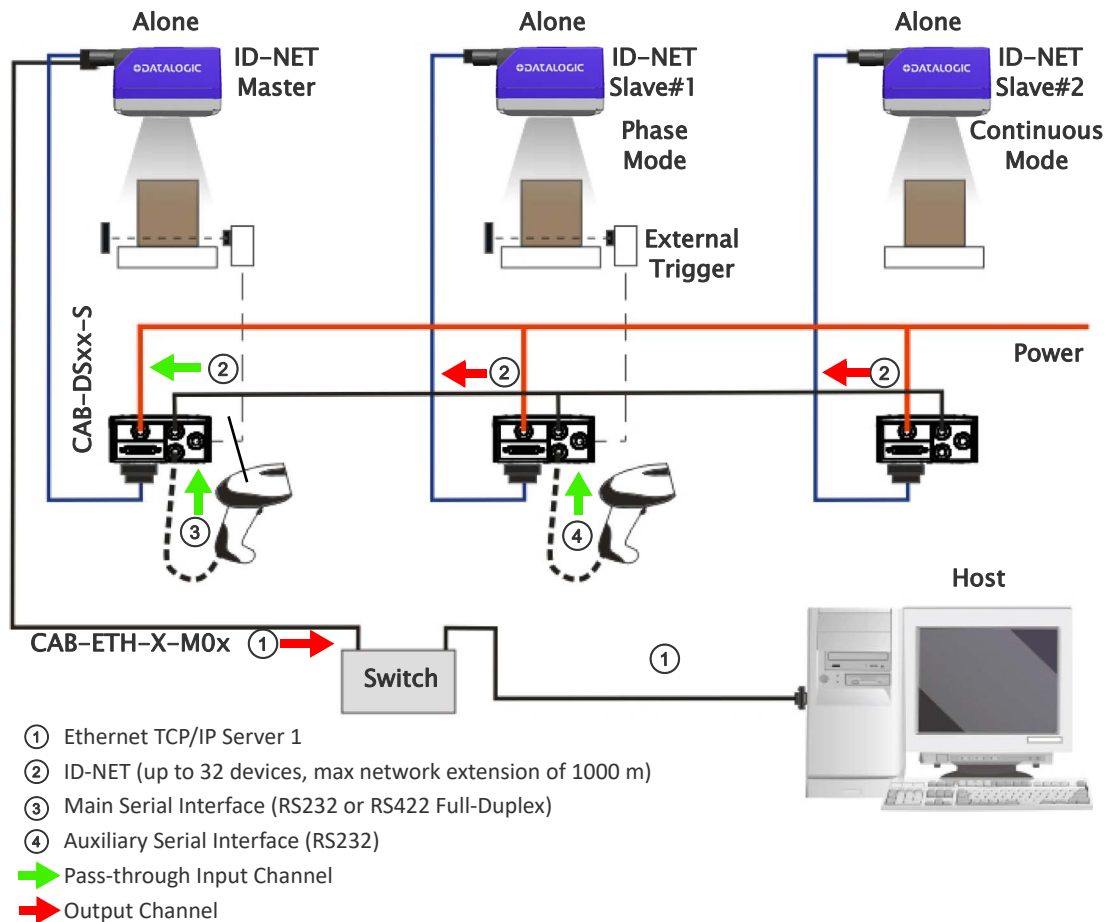


## ID-NET MULTIDATA NETWORK (PASS-THROUGH)

A special case of the pass-through layout allows each Slave device **working Alone**, to collect data from one or more pass-through input channels and send this data plus its own on the ID-NET output channel to the Master.

The Slave readers are connected together using the ID-NET interface. Every Slave reader must have an ID-NET address in the range 1-31.

The Master collects the data from its pass-through ID-NET input channel and sends it to the Host on a different output channel.



**Figure 73 - ID-NET Multidata Layout (Pass-through)**

In a Pass-through layout each device supports multiple pass-through configurations to accept input from different devices on different channels (i.e. Master reader above). However, ID-NET Slave readers are not required to have a pass-through configuration if they don't need to receive data from an input channel (i.e. right reader above). The ID-NET Master always has at least one pass-through configuration to collect the ID-NET Slaves data and send it to the Host.



**Slave devices cannot receive data from a pass-through ID-NET input channel and Master devices cannot send data on an ID-NET output channel.**

All devices always support multiple output channels (i.e. for data monitoring).

In a Pass-through layout each device can have a different operating mode: Continuous, One Shot, Phase Mode, etc.

## ID-NET SYNCHRONIZED NETWORK

When the device is **working Synchronized**, the ID-NET connection is used to collect data from several readers to build a multi-point or a multi-sided reading system; there can be one Master and up to 31 Slaves connected together.

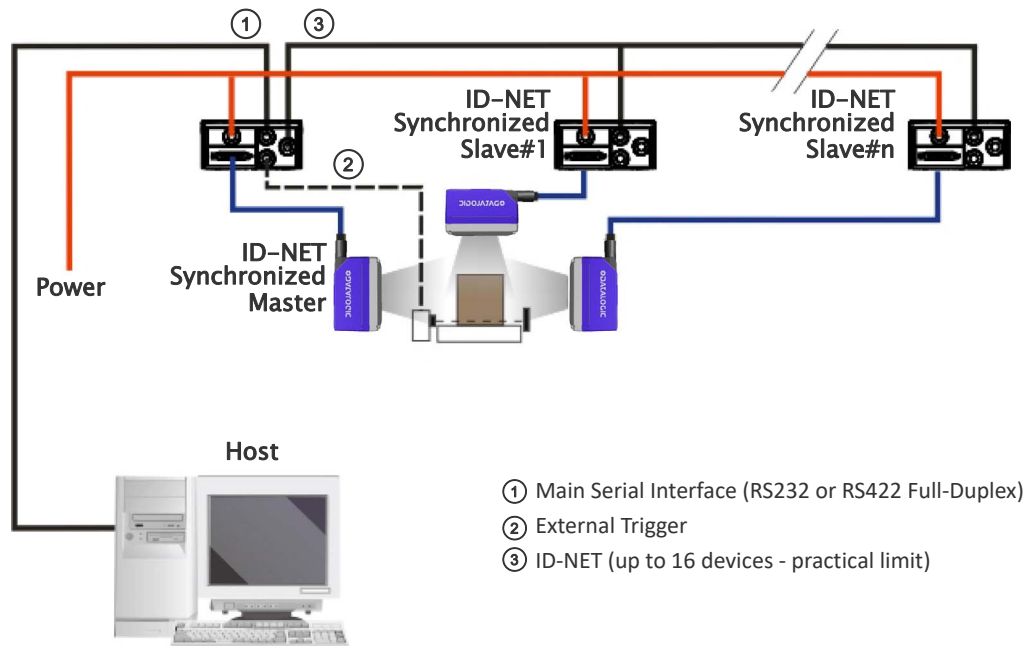
The Slave readers are connected together using the ID-NET interface. Every slave reader must have an ID-NET address in the range 1-31.

The Master reader is also connected to the Host on one of its communication channels. In the following examples the RS232/RS422 main serial interface is used.

For a Master/Slave Synchronized layout the External Trigger signal is unique to the system; there is a single reading phase and a single message from the Master reader to the Host computer. **It is not necessary to bring the External Trigger signal to all the readers.**

In the Master/Slave Synchronized layout the Master operating mode can only be set to PackTrack or Phase Mode.

The Main and ID-NET interfaces are connected as shown in the following figures.



**Figure 74 - ID-NET Synchronized Layout**

The Master reader can be connected to the CBX series connection box with the advantage of the Backup and Restore configuration function (CBX + BM100 module).

All devices always support multiple output channels (i.e. for data monitoring)

# CHAPTER 6

## READING FEATURES

### FOV CALCULATION

Use the data in the following table to calculate the FOV for your application, referring to Figure 75 and the formula below.

Model	F/#	d <sub>0</sub> Offset (mm)	Viewing Angle Horizontal	Viewing Angle Vertical	Viewing Angle Diagonal	Min Focus Distance (mm)	Max Focus Distance (mm)
Matrix 320 14L LQL 9 mm	6.1*	22	34°	19°	39°	35	1000
Matrix 320 14L LQL 16 mm	6.5	21	20°	11°	23°	70	1500
Matrix 320 36L LQL 9 mm	6.1*	37	34°	19°	39°	35	1000
Matrix 320 36L LQL 16 mm	6.5	36	20°	11°	23°	70	1500

\* F/# = 6.1 for Red/Blue illuminator. For White illuminator, F/# = 6.5.

The viewing angle has a tolerance of ± 1° depending on the reading distance.

$$FOV_x = 2 [ (d + d_0) * \tan (\alpha_x/2) ]$$

where:

**FOV<sub>x</sub>** = horizontal, vertical or diagonal FOV

$\alpha_x$  = horizontal, vertical or diagonal viewing angles.

**d** = reading distance (in mm) from window surface to code surface

**d<sub>0</sub>** = offset (in mm) from center of lens to external window surface

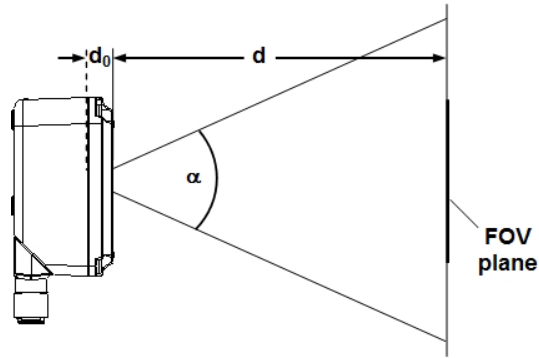


Figure 75 - Reading Distance References

Example:

The FOV for a **Matrix 320 7xx-330** at a reading distance of 600 mm is:

$$FOV_H = 2 [(600 \text{ mm} + 22 \text{ mm}) * \tan (34^\circ/2)] \cong 380 \text{ mm}$$

$$FOV_V = 2 [(600 \text{ mm} + 22 \text{ mm}) * \tan (19^\circ/2)] \cong 208 \text{ mm}$$

## GLOBAL FOV DIAGRAMS



NOTE

The following diagrams are given for typical performance at 25°C using high quality grade A symbols according to ISO/IEC 15416 (1D code) and ISO/IEC 15415 (2D code) print quality test specifications. Testing should be performed with actual application codes in order to maximize the application performance.

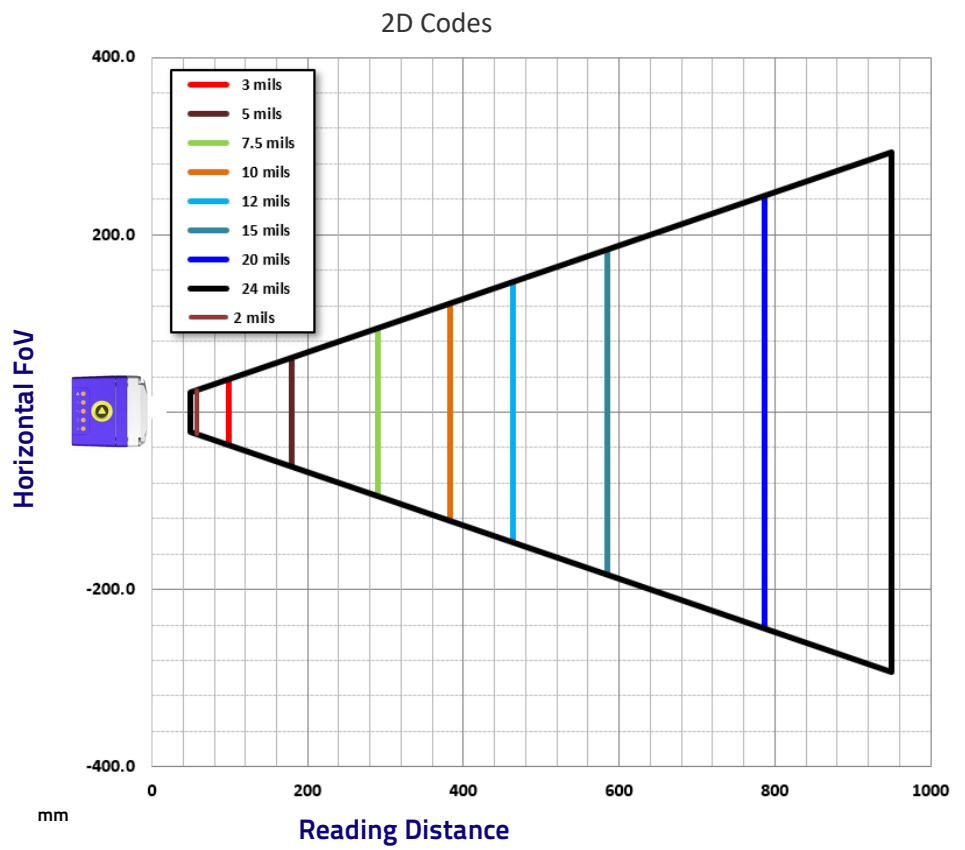
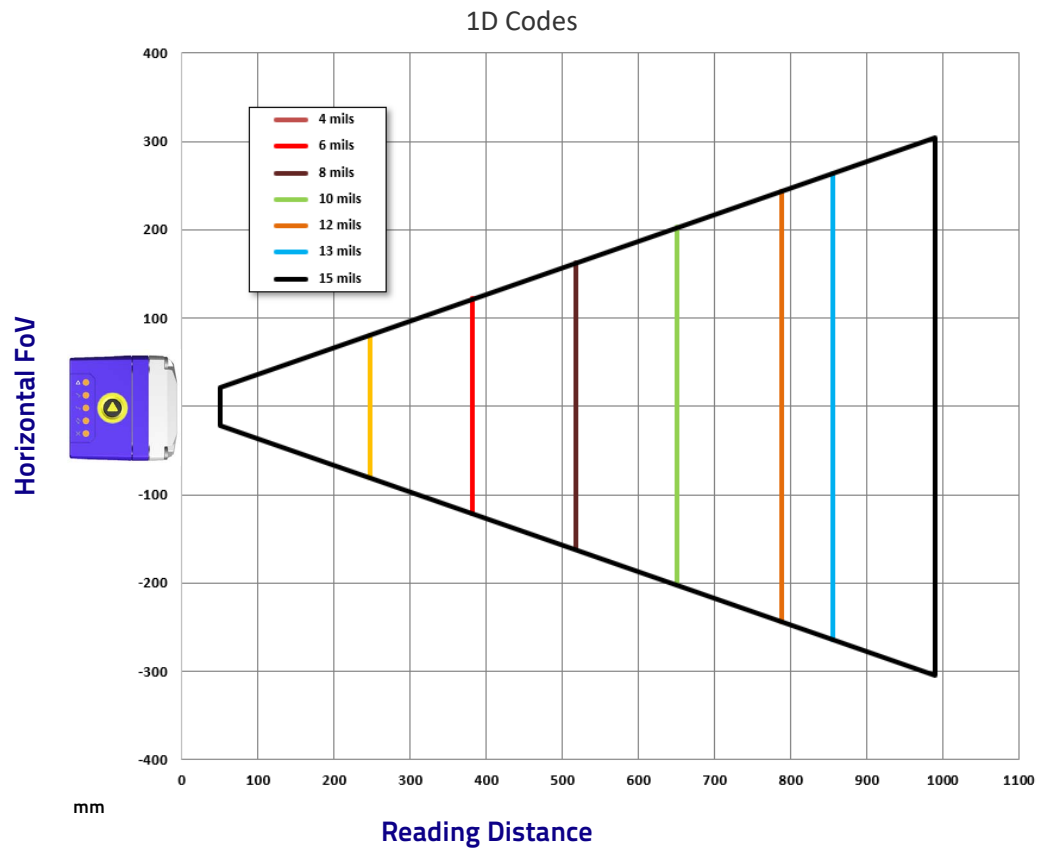
The following diagrams show the **maximum obtainable** Field of View for 1D and 2D codes. Depending on the code resolution, symbology, and number of characters in the code, the Reading Area can be different from the FOV.



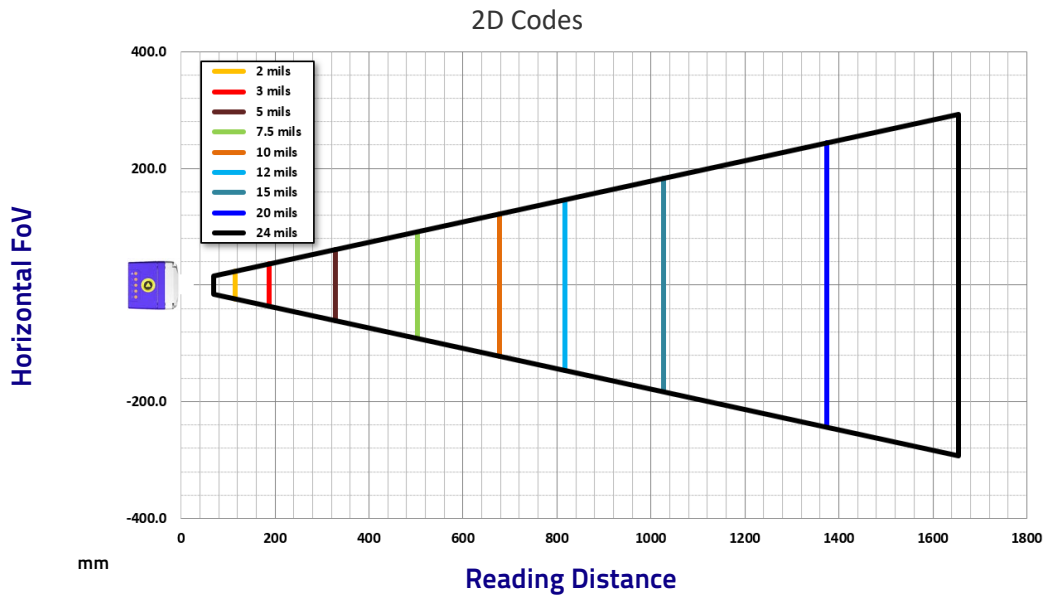
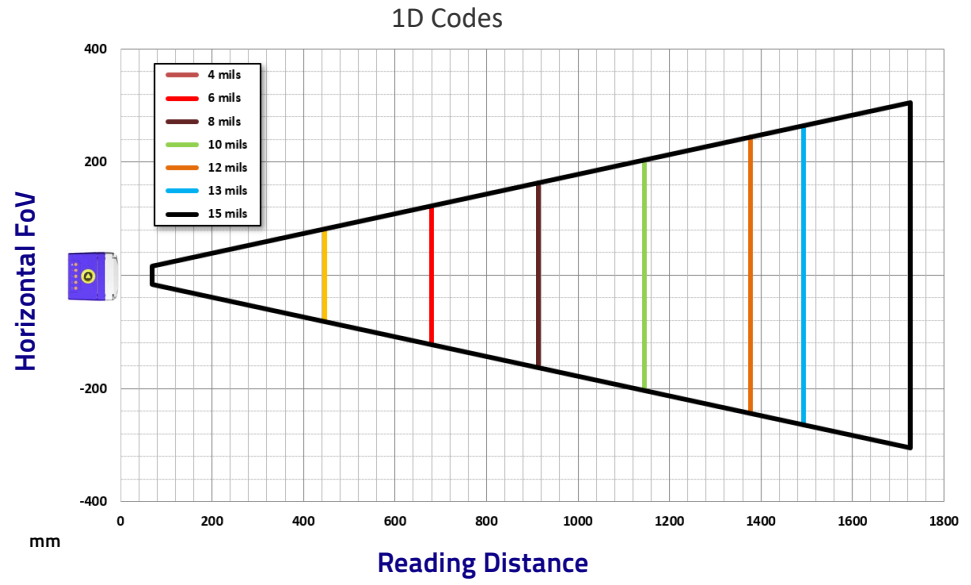
NOTE

The following diagrams refer to **Matrix 320 with 14 LEDs illuminator**. For **Matrix 320 with 36 LEDs illuminator**, the reference distances from the exit window should be reduced by 15 mm (internal offset difference between 14 LEDs and 36 LEDs models).

# Global FOV for Matrix 320 LQL-9



# Global FOV for Matrix 320 LQL-16



## MAXIMUM LINE SPEED AND EXPOSURE TIME CALCULATIONS

The **Exposure Time** (or **Shutter**) parameter defines the time during which the image will be exposed to the reader sensor to be acquired. This parameter depends heavily on the environmental conditions (external lighting system, image contrast etc.).

In general, a longer time corresponds to a lighter image but is susceptible to blurring due to the code movement; a shorter exposure time corresponds to a darker image.



### NOTE

**The following considerations must be applied only when the internal lighting system and 2D codes are used. The Maximum line speed allowed for linear codes or postal code reading applications heavily depends on the direction of symbol movement. When the direction of movement is parallel to the elements of the code, the maximum speed is greater**

Assuming:

- **X**: Code Resolution (mm)
- **T<sub>exp</sub>**: Exposure Time (s)
- **LS**: Line Speed (mm/s)

The essential condition to avoid blurring effects between two adjacent elements in a dynamic reading application is:

$$LS * T_{exp} \leq X$$

The maximum (theoretical) line speed **LS** can be calculated as follows:

$$X / T_{exp (min)} = LS (max)$$

**T<sub>exp (min)</sub>** is the minimum **Exposure Time** value obtainable for the specific application. It can be evaluated in static reading conditions and depends on the Matrix reader model selected for the application (internal lighting system, optical lens, reading distance) and on any external lighting system. It may also depend on code printing quality, and reader position.

### Example

A Matrix 320 using:

*Internal Lighting Mode = Very High Power Strobe*

*Exposure Time ( $\mu$ s) = 100  $\mu$ s*

*Code Resolution (X) = 0.254 mm (10 mils)*

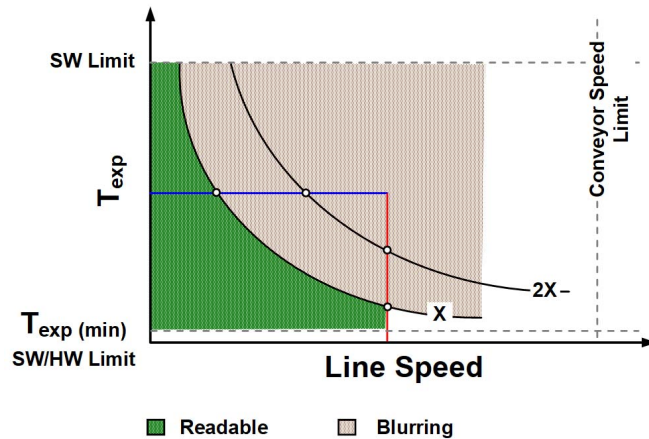
has a maximum line speed of:

$$0.254 \text{ (mm)} / 0.0001 \text{ (s)} = 2540 \text{ mm/s}$$

Likewise, **T<sub>exp (max)</sub>** is the maximum **Exposure Time** value that can be used without blurring for the given application line speed and code resolution. Therefore:

$$X / LS = T_{exp (max)}$$

$T_{exp(max)}$  and  $LS_{(max)}$  are represented in the graph below as the curved line for  $X$  (code resolution). Values above the curve result in blurring. In practice, the application values are somewhere below the theoretical line, (in the green area), due to environmental and other conditions.



For example, the maximum target speed in the application is also affected by these conditions:

- **Code/Background Contrast:** maximum speed decreases when decreasing image contrast (poor quality codes, reflective transparent coverings, different supports and printing techniques).
- **Code Resolution:** maximum speed increases when decreasing code resolution, (i.e.  $2X$ ). There is a decrement of overlapping effects between two adjacent elements.
- **Tilt Angle:** maximum speed decreases when increasing Tilt angle (from 0 to 45 degrees).

The **Internal Lighting** parameter allows setting the operating mode of the internal lighting system. The possible values are:

- *Disabled:* the built-in LED array is turned off all the time. This option can be useful if using an external lighting system;
- *Always ON:* the built-in LED array is turned on all the time at the lowest power level. This option is useful if the LED-array blinking (Strobed operating mode) disturbs the operator.
- *-Power Strobed:* the built-in LED array is on only during the image exposure time. Different Power Strobed lighting levels can be set.



**NOTE**

**To avoid LED array overheating, for Power Strobed settings, the program automatically limits the range of allowed values for the Exposure Time parameter. Therefore, after changes to Internal Lighting, recheck Exposure Time.**

- *Continuous High-Power:* the internal lighting system is turned on continuously at the highest power level. This option is useful if the LED-array blinking (Strobed lighting mode) disturbs the operator.



# CHAPTER 7

## SOFTWARE CONFIGURATION

---

Software configuration of your Matrix 320 for static reading or simple code reading applications can be accomplished by the Rapid Configuration procedure using the X-PRESS HMI (which requires no external configuration program). This procedure is described in [Chapter 1, Rapid Configuration Steps 4-6](#).

For the majority of applications however you will use DL.CODE, connecting to the reader through the on-board Ethernet interface. See [Chapter 1, Rapid Configuration Steps 7-8](#).

### DL.CODE SYSTEM REQUIREMENTS



**DL.CODE does not currently support Windows Embedded (often used in industrial PCs and/or PLCs).**

To install and run DL.CODE you should have a Laptop or PC that meets or exceeds the following:

- 2.00 GHz or faster microprocessor
- Windows: 7, 8.1, or 10
- 1 GB RAM
- 2 GB hard disk for 64-bit machines; 1 GB hard disk for 32-bit machines
- 100 Base-T Ethernet
- One 19" or larger monitor (optimized for 1280x1024 resolution)



**The Windows XP operating system is no longer supported by DL.CODE.**

## READER CONFIGURATION

For an example of Matrix device configuration see the example in Chapter 1, Rapid Configuration, Steps 7-8.

**NOTE**

**Especially for lengthy configurations, it is always good practice to periodically save the configuration to permanent memory (Save on Device) to avoid losing the configuration in Temporary Memory. You must give a name to the new configuration or overwrite an existing one (except for Default which cannot be modified).**

When all the configuration parameters are set correctly and saved to the device, you can perform a Backup to File and/or to an External storage device (BM100, etc.). See "Backup and Restore Through DL.CODE" on page 135.

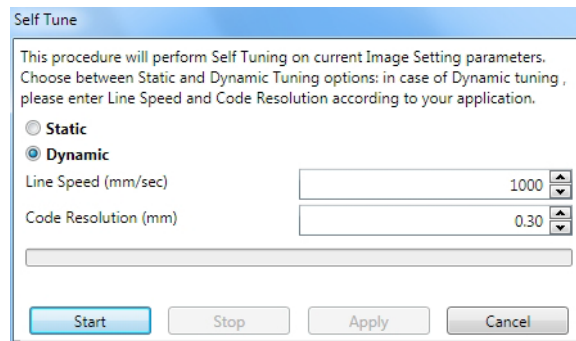
**NOTE**

**Matrix 320 can contain several configurations or jobs in permanent memory.**

**This means that in addition to your application configuration(s), the Default configuration is always present on the reader and in fact it is not modifiable and cannot be deleted.**

## Auto-Calibration

DL.CODE provides the **Image Auto-Setup** tool to maximize the reading performance by tuning the acquisition parameters (photometry) automatically. By selecting the **Image Auto-Setup** tool from the Image Settings branch in the Advanced Setup step, the following window appears: Select the Static or Dynamic Self-Tuning option; Start Image Auto-



Setup and Apply to the Image Settings. The Advanced Setup window works interactively so that you can see the results of the parameter setting changes as well as the decoding results (Results panel).

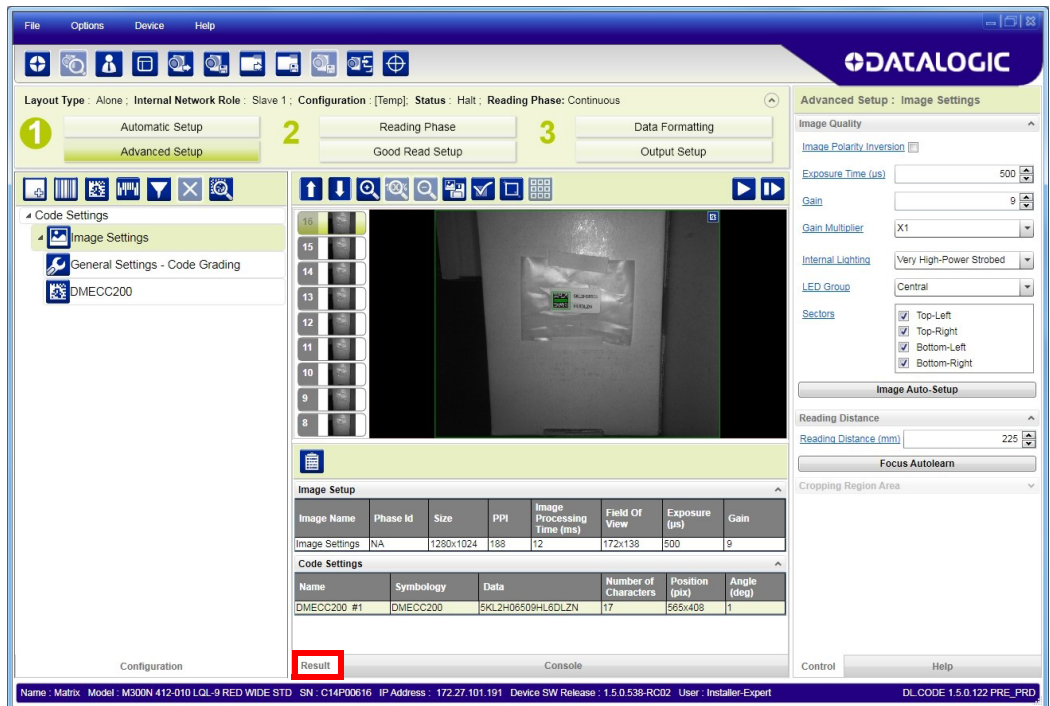


Figure 76 - Decoding Results OK

## Manual Calibration

The following examples show some of the typical conditions occurring during the installation and how they can be tuned manually:

### Under-exposure

To correct this result it is recommended to change the following parameters in their order of appearance:

1. increase the **Exposure Time**
2. increase the **Gain**



#### NOTE

**In general, a longer exposure time corresponds to a lighter image but is susceptible to blurring due to code movement. Exposure time is also limited by the Internal Lighting mode parameter. Longer exposure times can be set if the power strobe level is lowered.**

**High gain settings may produce a grainy image that may affect the decoding process.**

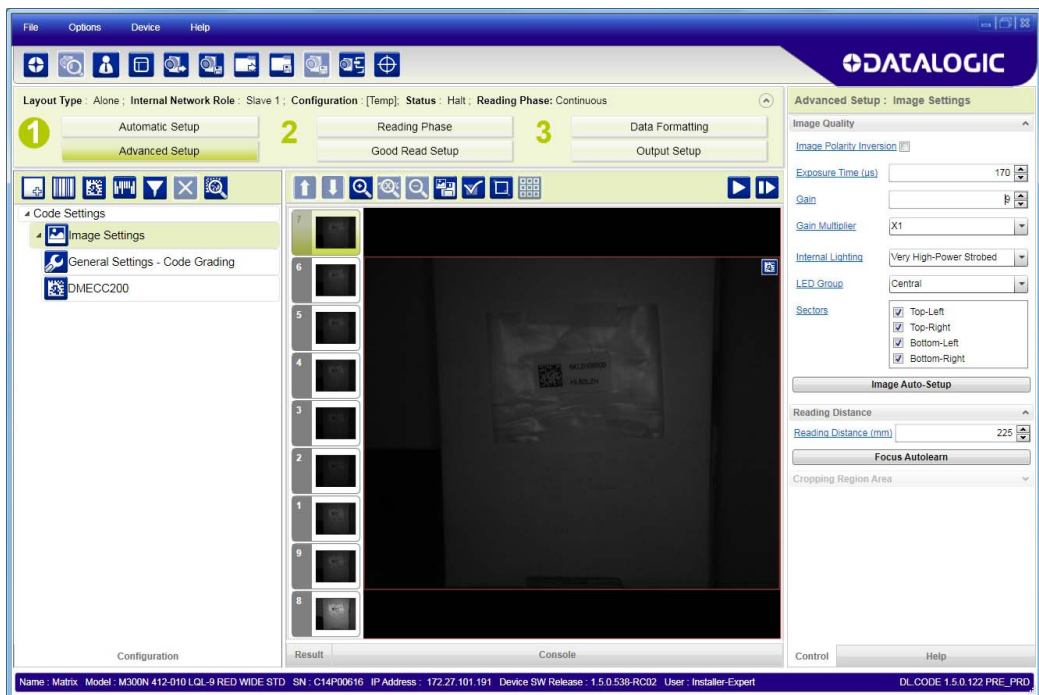


Figure 77 - Example Under Exposure: Too Dark

## Over-exposure

To correct this result it is recommended to change the following parameters in their order of appearance:

1. decrease the **Gain**
2. decrease the **Exposure Time**

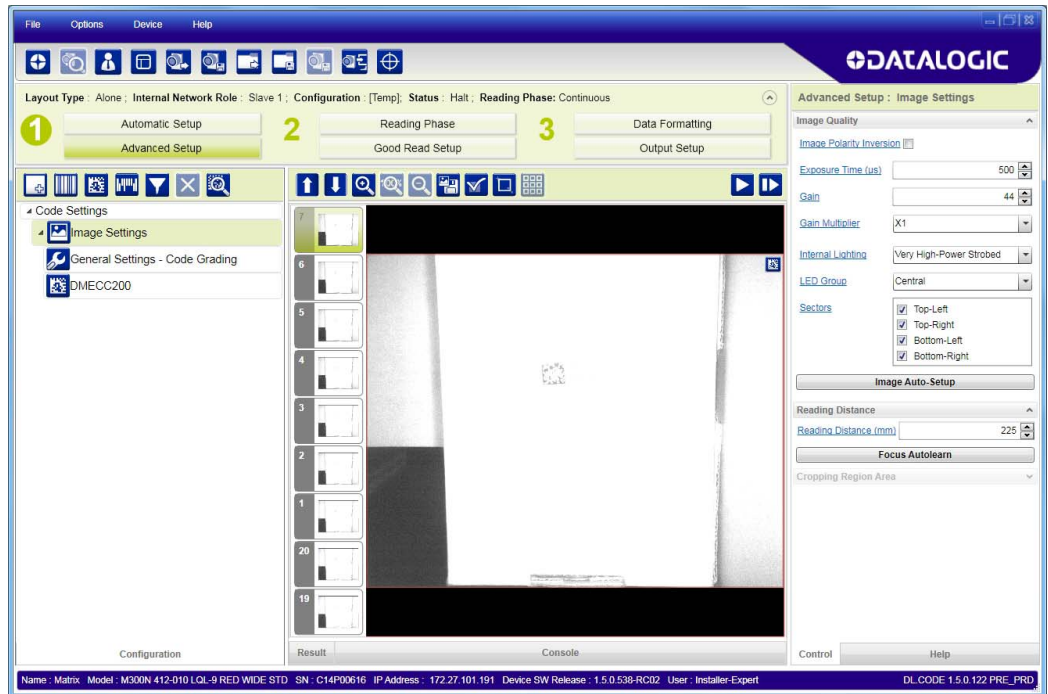


Figure 78 - Example Over Exposure: Too Light

## Moving code out of the Field of View

To correct this result and have the code completely visible in FOV, it is possible to follow one or both the procedures listed below:

- reposition the reader
- use the **Delay on Trigger** and set the **Time** or **Space** values.

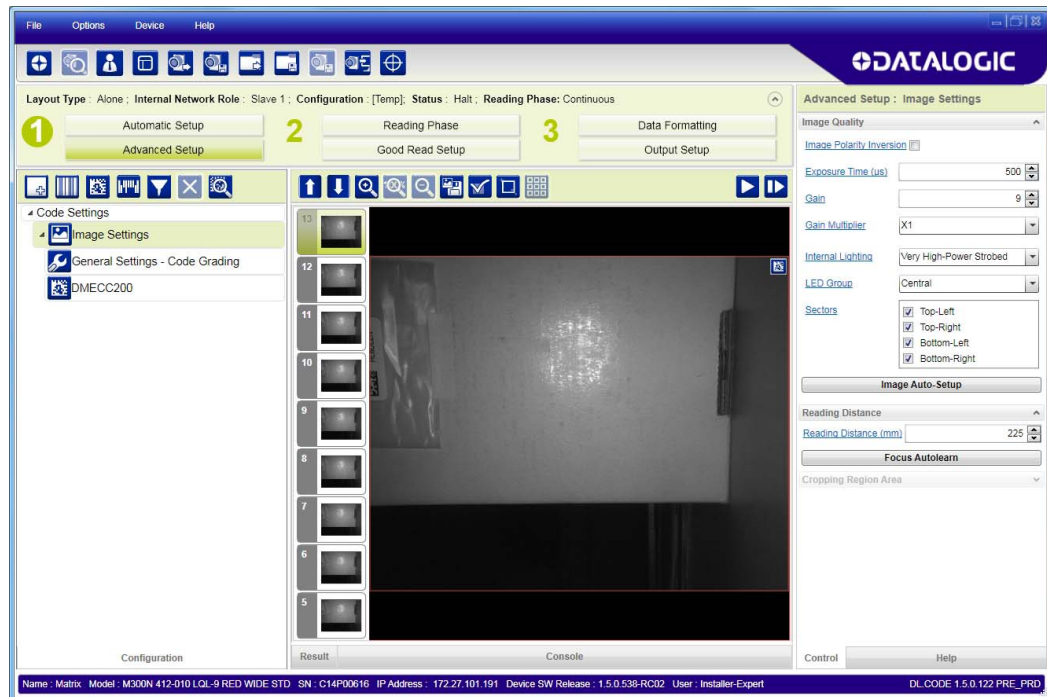


Figure 79 - Example Out of FOV

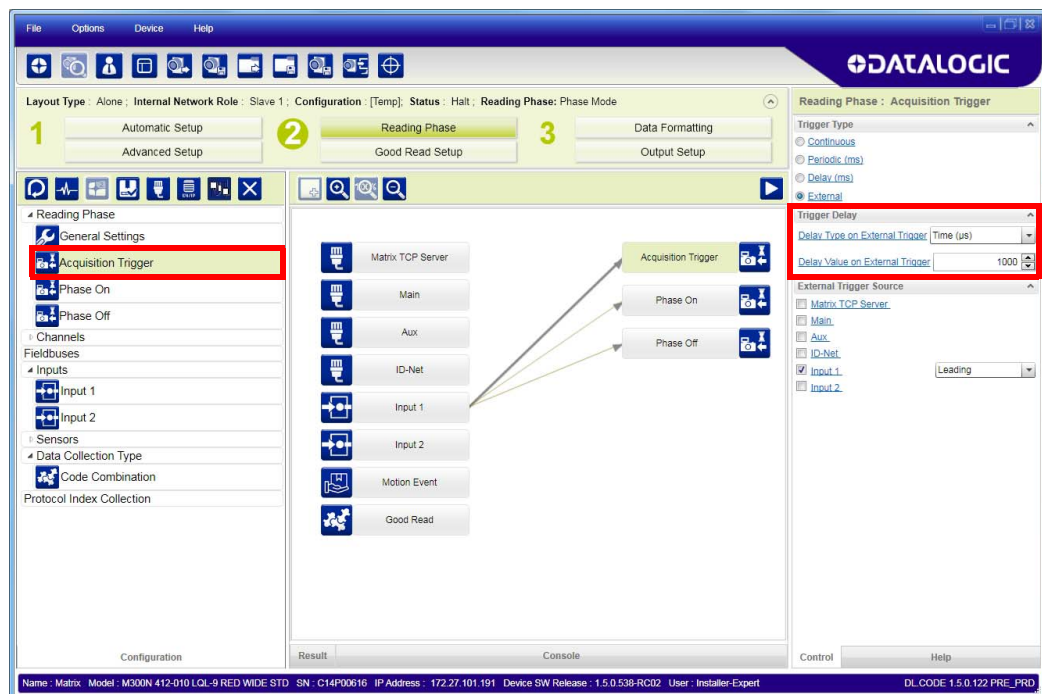


Figure 80 - Add Delay on Trigger to Correct Out of FOV

## MULTI IMAGE ACQUISITION SETTINGS

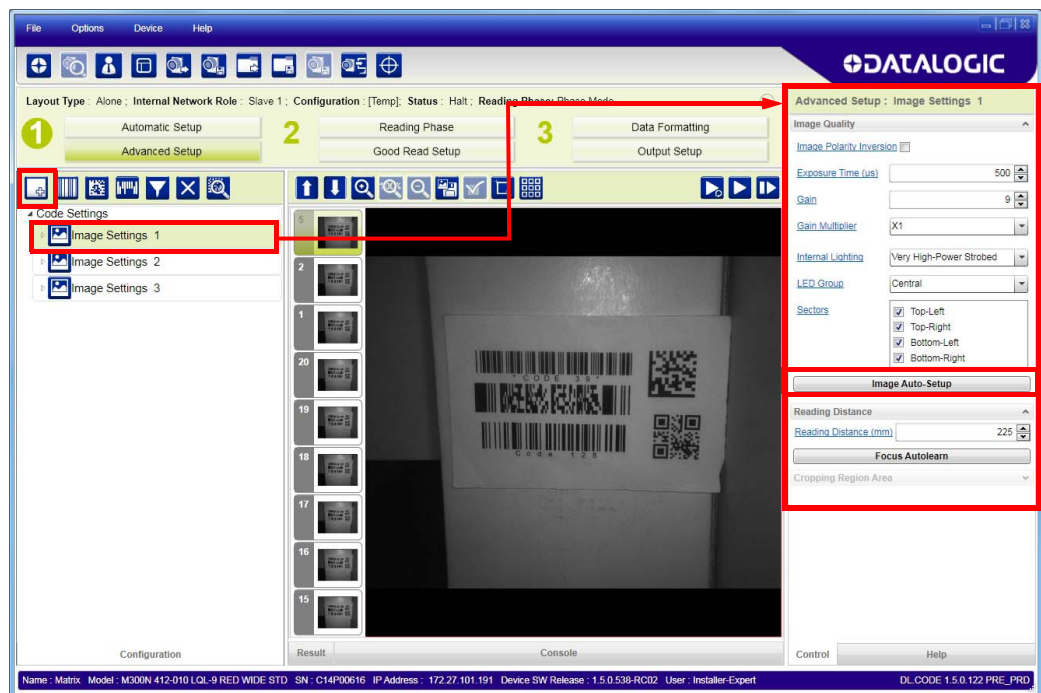
When controlled variable conditions occur in the application, Multiple **Image Acquisition Settings** can be defined to create a database of parameter groups that handle each specific application condition. This database of pre-defined settings improves system flexibility and readiness by being applied either automatically or selectively by an activation event.

For example, an application may have several stable but different lighting conditions which require different lighting options. One Image Acquisition Setting could enable and use an internal illuminator and another setting could enable and use an external lighting system.

This feature is available for all Operating Modes.



**Image Settings** are found in the DL.CODE **Advanced Setup** step. Up to 10 different Image Settings can be configured by adding them with the icon.



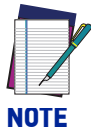
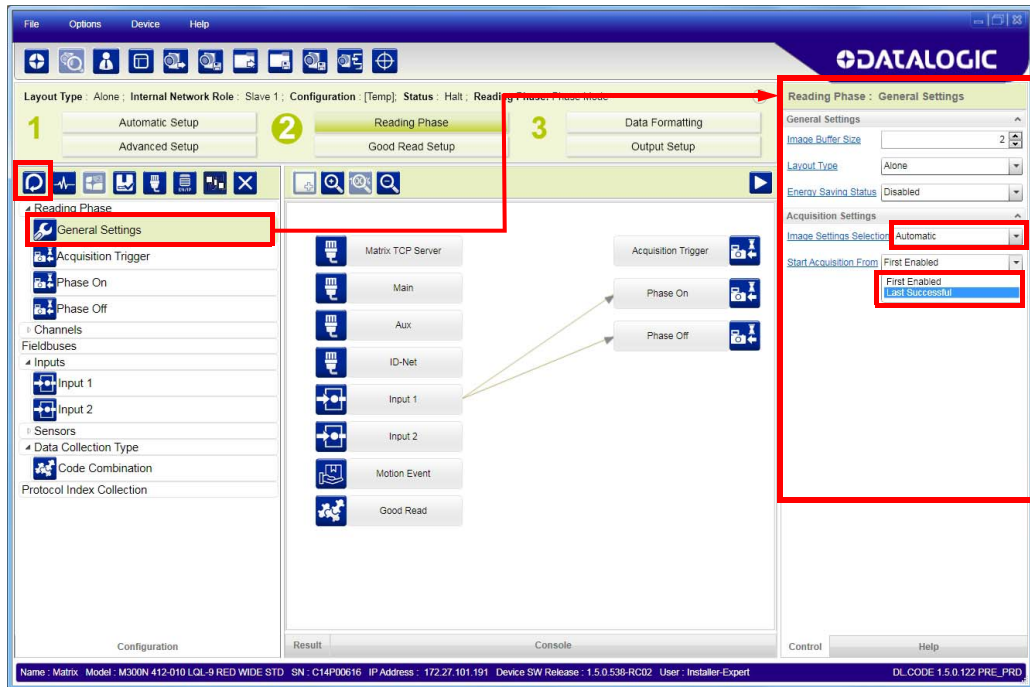
For each Image Setting condition start **Image Auto-Setup**, select the Static or Dynamic Self-Tuning option; and Apply it.



## Automatic Image Settings Selection

If we don't know from one item to the next which reading condition will be presented, we will cycle through the pre-defined database of Image Settings (one per acquisition) in order to automatically capture the correctly lighted image over the course of several acquisitions. When the correct condition is matched, the result should be able to produce a Good Read.

When the Image **Settings Selection** is **Automatic** (default), then these Image Settings groups will be used cyclically.



### NOTE

Applications typically require more than one acquisition to obtain sufficient Good Read percentages. This means that for  $N$  acquisitions we will surely have captured the correct lighting condition but we will also have captured some acquisitions with the wrong lighting condition. A consequence then is that we cannot run these types of applications at the maximum speed because not all the acquisitions are useful to us. We must wait for a sufficient number of acquisitions that will guarantee a Good Read result.

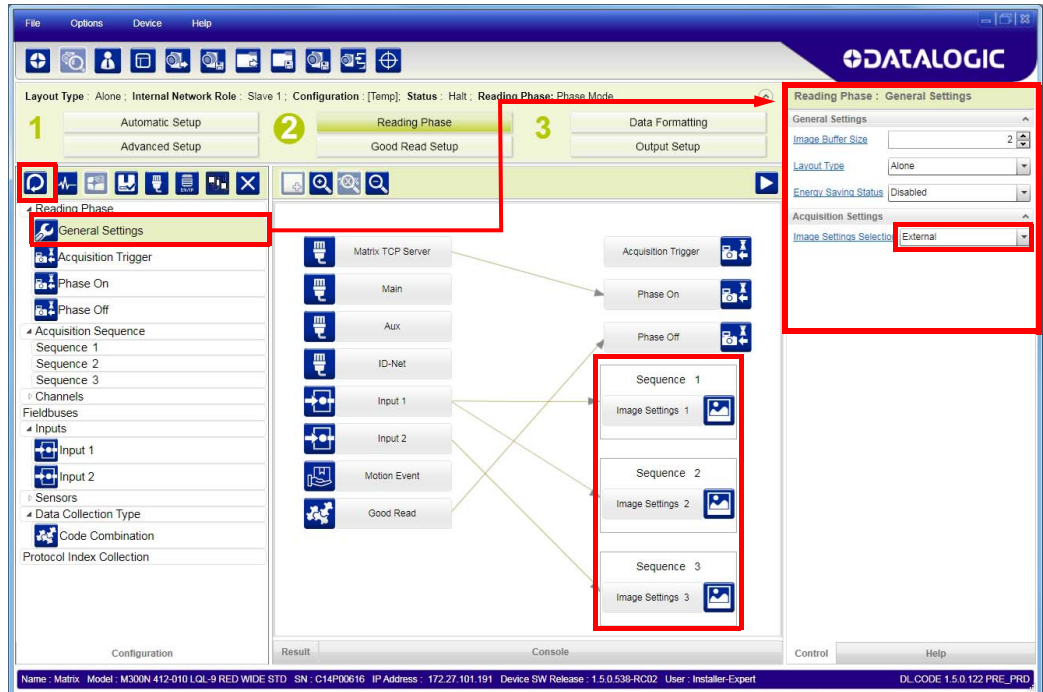
If items to be read having the same lighting conditions are grouped together, then we can improve the read rate through the **Start Acquisition From** parameter. By choosing the **Last Successful** value, we will start with the Image Setting that last produced a Good Read. For this group of items the last Image Setting used will be correct for the next item and so we start each cycle with the acquisition that will potentially produce a Good Read.



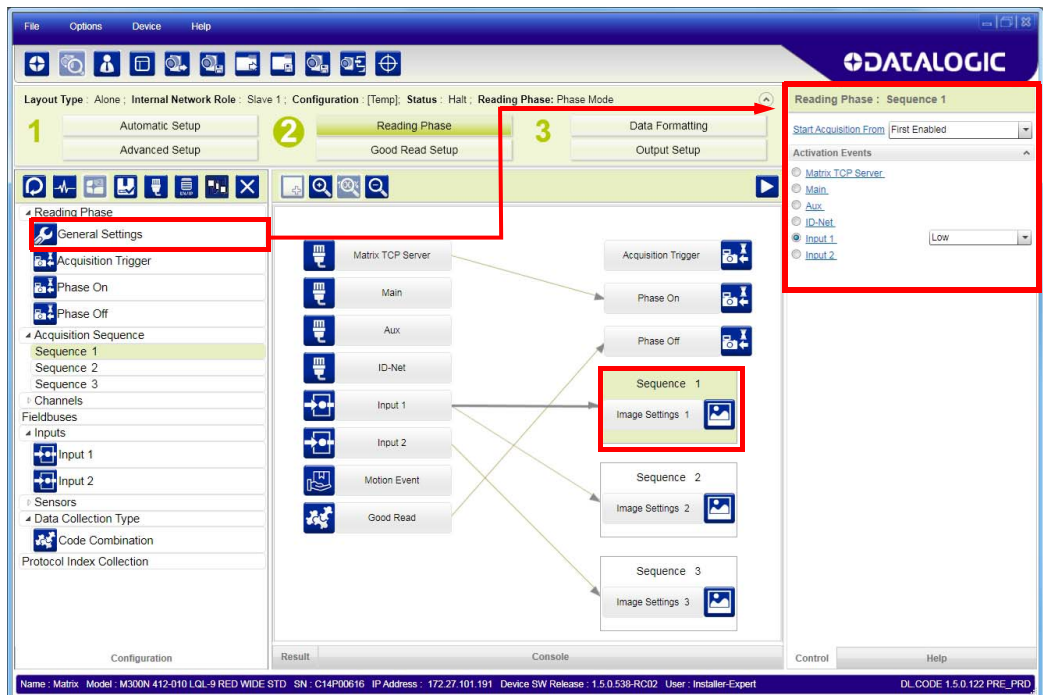
## External Image Settings Selection

There are some applications where the lighting conditions are known before each item is read and therefore we can pre-select the correct Image Setting from an external source.

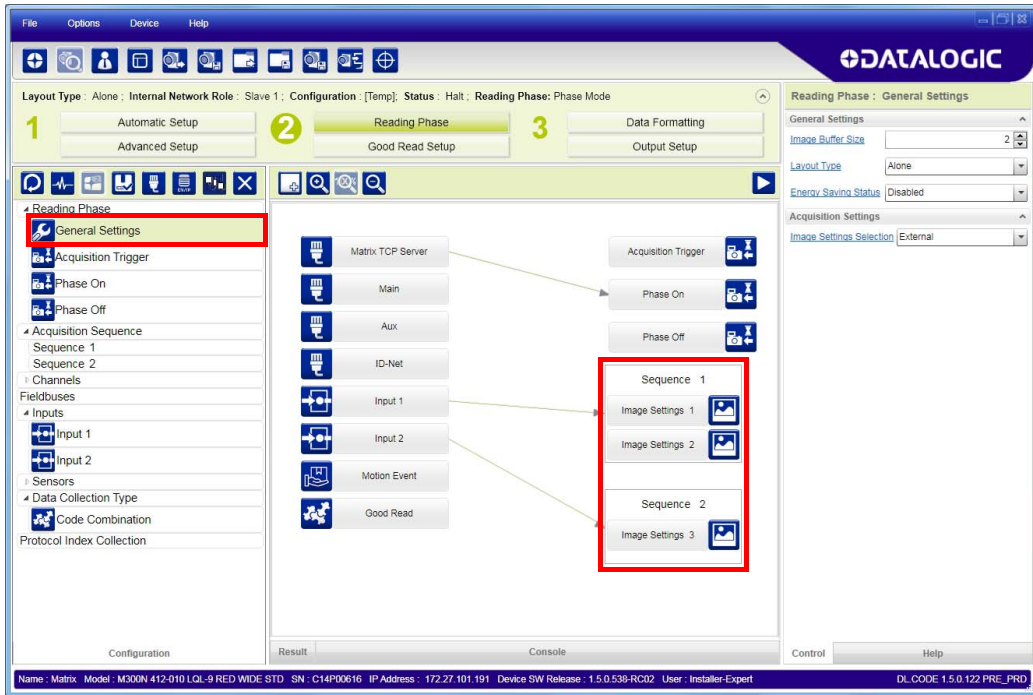
When the **Image Settings Selection** is **External**, Acquisition Sequences are created and by default each Image Setting has its own Acquisition Sequence.



Each **Acquisition Sequence** can be activated exclusively by a single event, either through a string from an available communication channel or by a digital input.

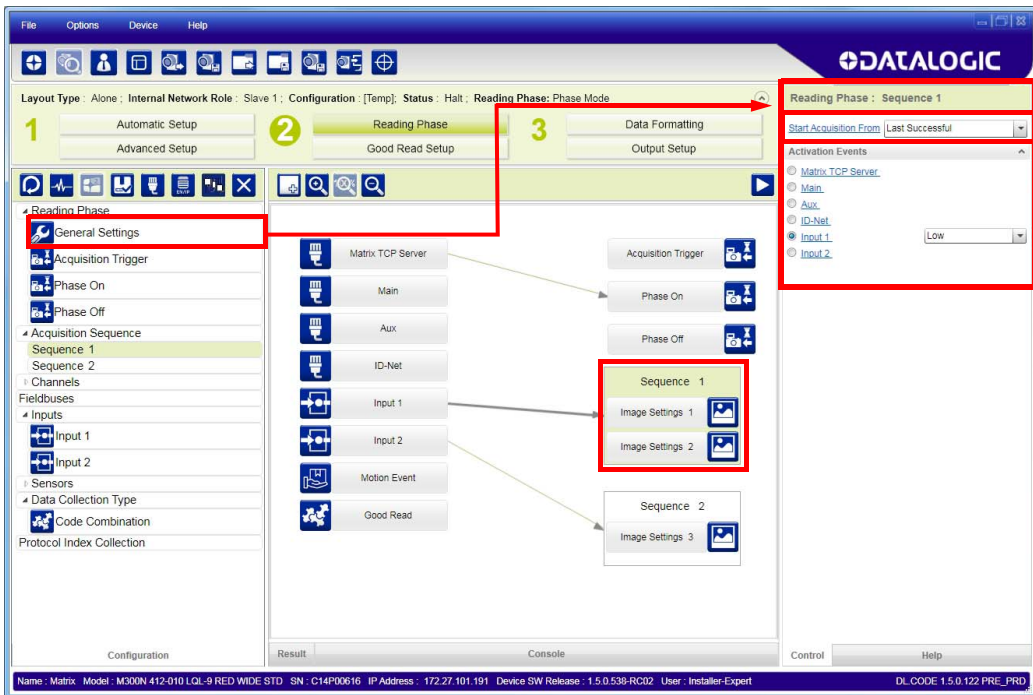


Alternatively a hybrid configuration can be made where more than one **Image Setting** can be grouped into an Acquisition Sequence by dragging it into the desired Sequence box. Select the empty Sequence box and delete it with the delete key.



Each **Acquisition Sequence** can be activated exclusively by a single event, either through a string from an available communication channel or by a digital input.

In this case the **Start Acquisition From** parameter can improve the read rate for that Sequence. It has no meaning for a Sequence containing only one Image Setting.



## EXTENDING DOF WITH AUTOMATIC IMAGE SETTINGS SELECTION (CYCLE ALL IN SAME PHASE) FOR LIQUID LENS MODELS

For Liquid Lens models, multiple Image Acquisition Settings can be configured and enabled internally through the application software to extend the reader's depth of field. During each reading phase, decoding will be attempted by applying each enabled Image Acquisition Setting (cyclically).

### Example

Read a 15 mil Data Matrix ECC 200 code covering a range from 140 to 320 mm. The reading distance range is too long to be covered by a single acquisition setting, so two acquisition settings could be used in which the first has a *Reading Distance of 195 mm* and the second has a *Reading Distance of 300 mm*. When both are enabled, the reader cycles through the two settings effectively producing the extended DOF.



#### NOTE

**Cycling through Image Acquisition Settings that require changing the Reading Distance parameter (for liquid lens models), drastically reduces the frame rate due to the liquid lens refocusing delay as well as by the number of settings simultaneously enabled. Therefore this may not be the best solution for high speed applications. For high speed applications it is best to use the External Image Settings Selection (Input Select) feature described on page 108. Otherwise use multiple readers set to different reading distances.**

Since many factors and parameters contribute to maximizing the reading process, it is suggested to use the DL.CODE Image Auto-Setup and Focus Autolearn tools to set the different acquisitions settings.



#### NOTE

**By default the Image Settings Selection parameter is set to Automatic.**

Multi Image Acquisition Settings Procedure using Automatic Image Settings Selection:

1. Using the DL.CODE Image Auto-Setup and Focus Autolearn tools, set the first acquisition setting (default) for the 195 mm Reading Distance. Then **Save on Device**.
2. Add another Image Setting, and using the DL.CODE Image Auto-Setup and Focus Autolearn tools, set the second acquisition setting for the 300 mm Reading Distance. Then **Save on Device**.
3. On the Reading Phase step > General Settings > Acquisition Settings, set the **Image Settings Selection** to **Automatic** (default). Then **Save on Device**.
4. Verify that the reader decodes at both distances with the DL.CODE Monitor.

## EXTENDING DOF WITH AUTOMATIC IMAGE SETTINGS SELECTION SEQUENCE (INPUT SELECT) FOR LIQUID LENS MODELS

For Liquid Lens models, multiple Image Acquisition Settings can be configured and enabled externally through a distance sensor to extend the reader's depth of field. The specific Image Acquisition Setting Sequence is selected prior to the reading phase so that only the correct setting (or group of settings) will be applied to the entire reading phase.

When only two Image Acquisition Settings are used to extend DOF (one in each sequence), this effectively allows switching DOF while keeping the lens refocusing delay outside the reading phase.

This feature is recommended for high speed applications.



### NOTE

**Within each sequence, if more than one Image Acquisition Setting is enabled, they will be cycled as in the case where Image Settings Selection is Automatic.**

### Example

Read a 15 mil Data Matrix ECC 200 code covering a range from 140 to 320 mm at an application speed of 1 m/s. The reading distance range is too long to be covered by a single acquisition setting, so two acquisition settings could be used in which the first has a *Reading Distance of 195 mm* and is assigned to **Image Settings #1**, and the second has a *Reading Distance of 300 mm* and is assigned to **Image Settings #2**.

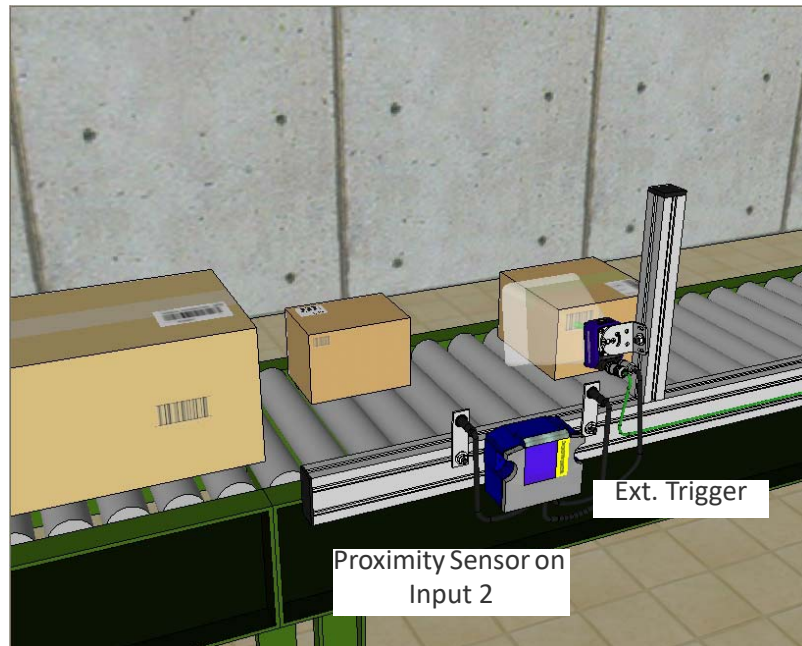
By assigning the **Image Settings Selection** to **External**, a proximity sensor (i.e. S3Z) mounted at least 150 ms before the **Acquisition Trigger** and connected to an input (i.e. Input 2), the correct DOF can be selected by enabling the correct sequence.

As an example, for a conveyor speed of 1 meter/second the **Activation Event Trigger** (Input 2 sensor) must be placed at least 150 mm before the reading phase start (Ext. Trigger).

The proximity sensor must be calibrated to trigger on packs in the near zone (140-215 mm) and therefore select the Sequence with **Image Settings #1** (the Image Acquisition Setting relative to the 195 mm Reading Distance). Packs farther away do not trigger the proximity sensor and so the Sequence with **Image Settings #2** is selected with the Image Acquisition Setting relative to the 300 mm Reading Distance.

The settings overlap in the range 210-220 mm and can be read by either one.

In this way the effective reading DOF covers the 140 -320 mm distance.



**Figure 81 - Example Extending DOF Using External Image Settings Selection**

Since many factors and parameters contribute to maximizing the reading process, it is suggested to use the DL.CODE Image Auto-Setup and Focus Autolearn tools to set the different acquisitions settings.

**Multi Image Acquisition Settings Procedure using External Image Settings Selection:**

1. Using the DL.CODE Image Auto-Setup and Focus Autolearn tools, set the first acquisition setting (default) for the 195 mm Reading Distance. Then **Save on Device**.
2. Add another Image Setting, and using the DL.CODE Image Auto-Setup and Focus Autolearn tools, set the second acquisition setting for the 300 mm Reading Distance. Then **Save on Device**.
3. On the Reading Phase step > General Settings > Acquisition Settings, set the **Image Settings Selection** to **External**.
4. You will now see the Sequences appear in the DL.CODE display area. Click on the sequence with **Image Settings #1** and select the **Input 2** Activation Event to **High**. Then **Save on Device**.
5. Verify that the reader decodes at both distances with the DL.CODE Monitor.



**NOTE**

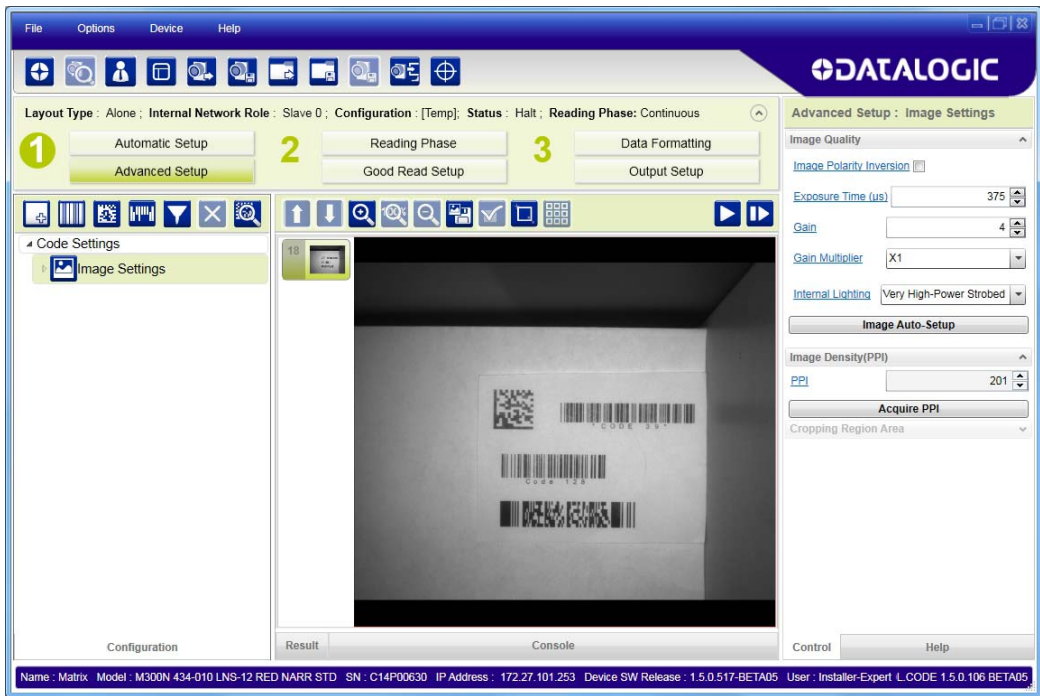
**The Acquisition Sequences (and therefore Image Settings) can alternatively be preselected by a string from an available communication channel instead of a digital input. In any case the activation event is exclusive (only one).**



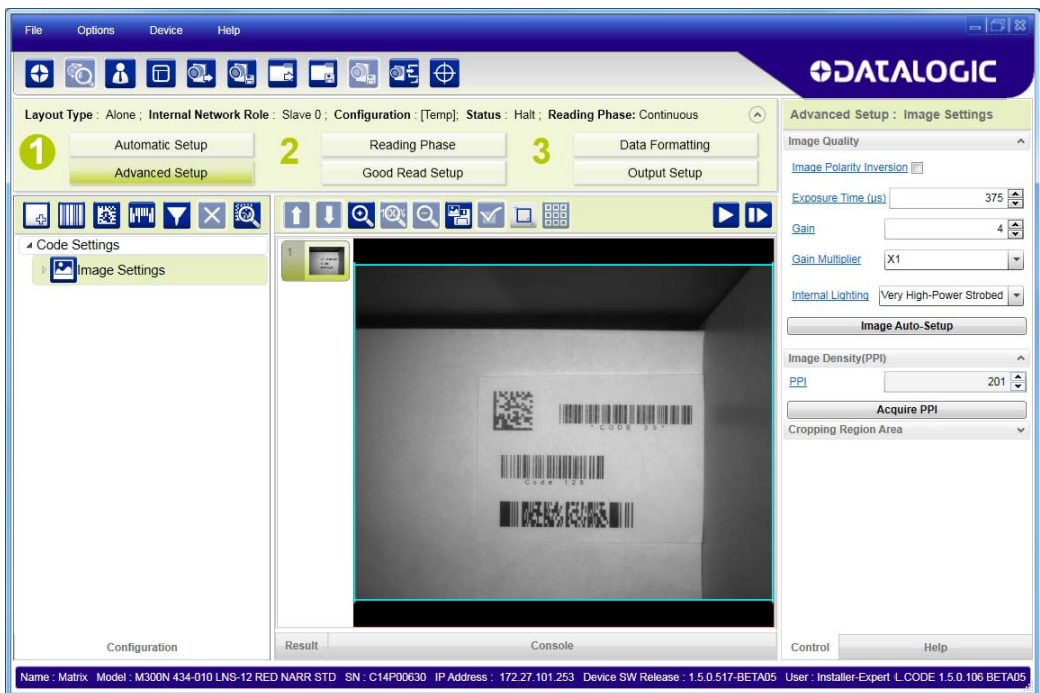
# IMAGE CROPPING

In some applications, the Image Cropping feature in DL.CODE can help to increase decoding and result performance. Image cropping is performed from the Advanced Setup tab by clicking on the Add Cropping Region icon as shown below.

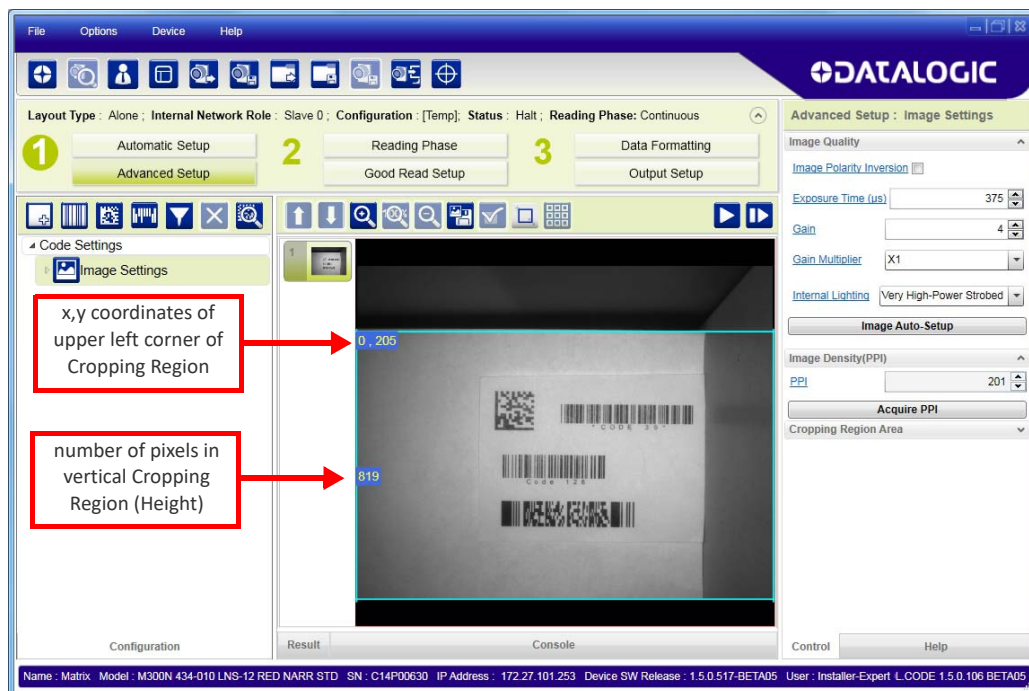
In Matrix 320 the frame rate is dependent on the number of rows and columns in the defined window. Image cropping allows reducing the Image processing area from the full FoV to a smaller area where codes are present. By excluding portions of the FoV, processing time is reduced.



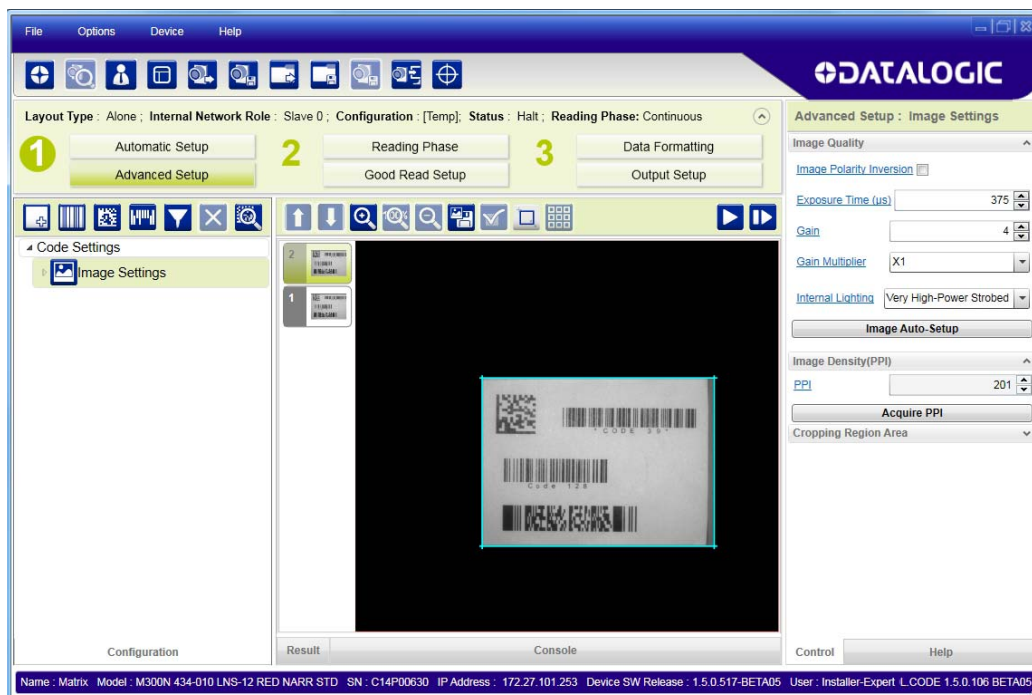
After clicking the Add Cropping Region icon, a blue border appears which by default is equal to the FoV.



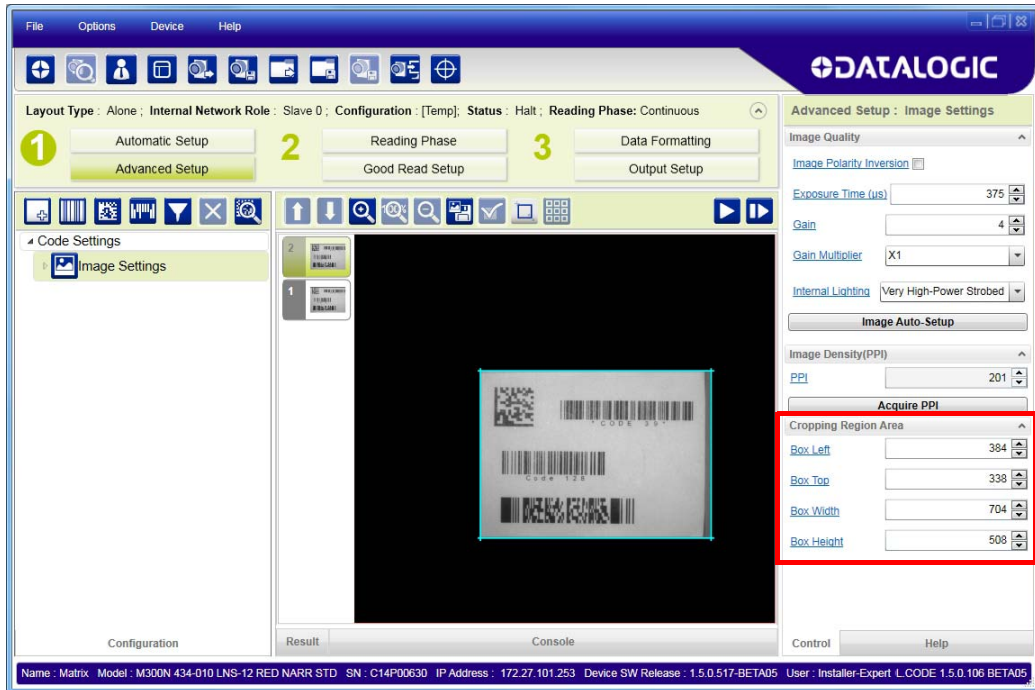
By dragging the edges with the mouse (resizing) you can crop the image to a specific location where codes are present. The numbers in the blue boxes refer to pixel references.



The cropped area can be moved by dragging the center.



You can also set the cropped image size and position through the Cropping Region Area group of parameters; size = **Width** and **Height**, position = **Left**, **Top** (x,y) coordinates.





## DIRECT PART MARKING APPLICATIONS

For **Data Matrix** family codes the **Decoding Complexity** parameter is available when Processing Mode is set to Standard and selects the decoding algorithm according to the printing/marketing technique used to create the symbol and on the overall printing/marketing quality.

The possible selections progress from Low to Very High where Low can improve decoding time for good print/mark quality and/or relatively normal size codes. This is the default setting. Very High can improve the decode rate for low print/mark quality and/or small size codes. This algorithm is much more aggressive but in general it may have longer decoding times than the lower complexity algorithms. **To minimize decoding time it is better to select the lowest value that still guarantees good decoding.**



**Figure 82 - Problematic Direct Part Marking Examples**

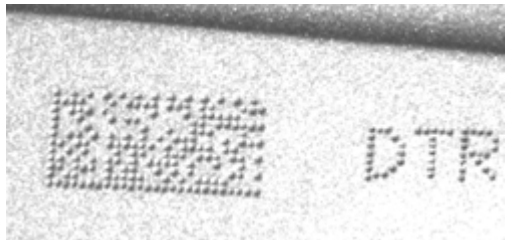
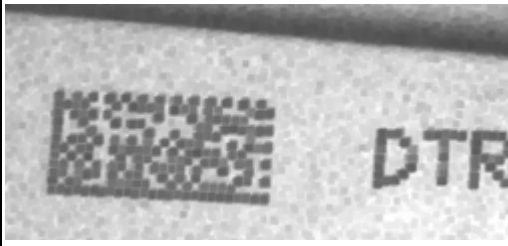
For **QR** code the **Decoding Method** parameter allows the Dot Peen Decoding algorithm to be selected which improves the decode rate for low quality Direct Part Mark codes and in general for Direct Part Mark codes with dot peening type module shapes.

## Image Filter

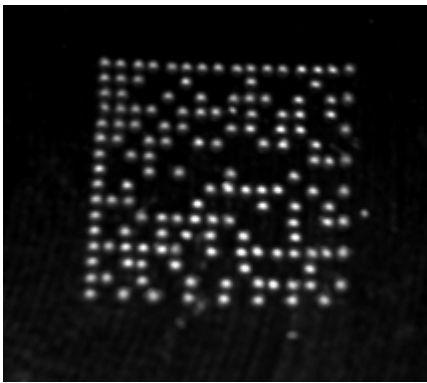

Sets the filter to be applied to the image before being processed. This parameter can be used to successfully decode particular ink-spread printed codes (e.g. direct part mark codes).

Different filters can be applied to a single code or group of codes in one or more **Image Settings**. See the DL.CODE User’s Manual for examples of Image Filter application.


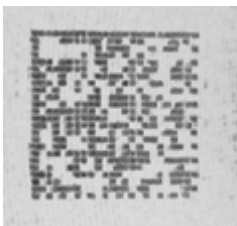
The **Erode** Filter enlarges the image dark zones to increase readability.

	
Before - No Read	After - Readable

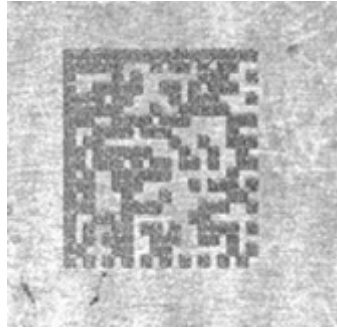
The **Dilate** Filter enlarges the image white zones to increase readability.

	
Before - No Read	After - Readable

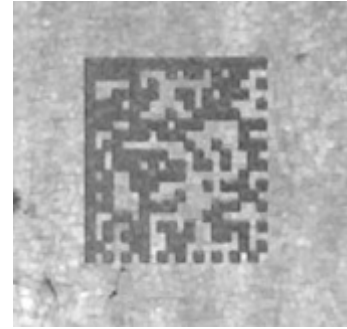
The **Close** filter eliminates dark areas (defects) in the white zones of the image.

	
Before - No Read	After - Readable

The **Open** filter eliminates white areas (defects) in the dark zones of the image.

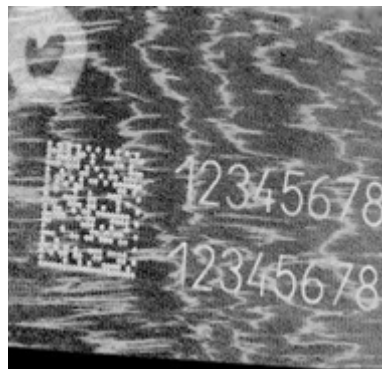


Before - No Read

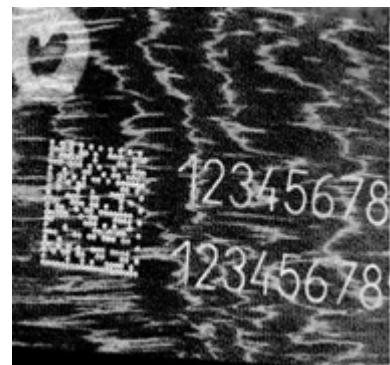


After - Readable

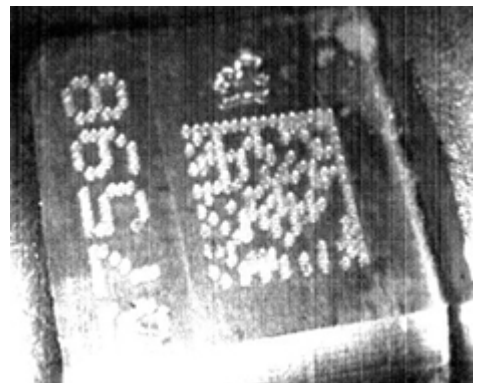
The **Contrast Stretching** filter maximizes image contrast.





Before - No Read



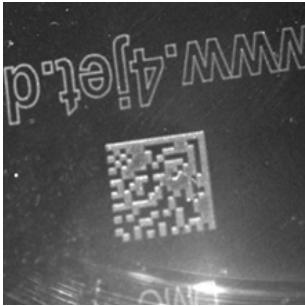
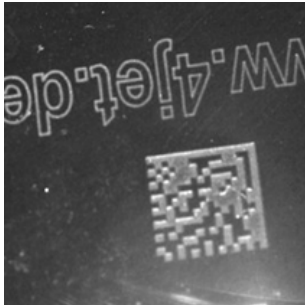
After - Readable



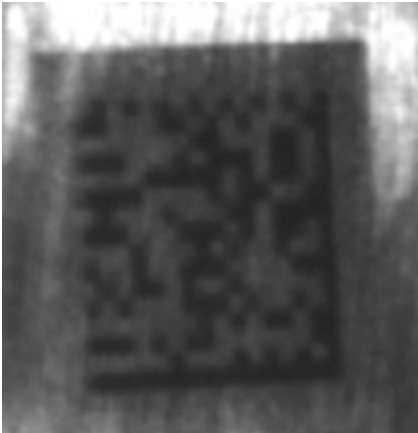
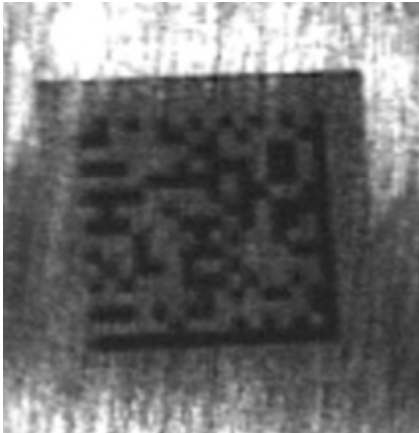
The **Histogram Equalization** filter makes the gray level distribution uniform.

	
Before - No Read	After - Readable

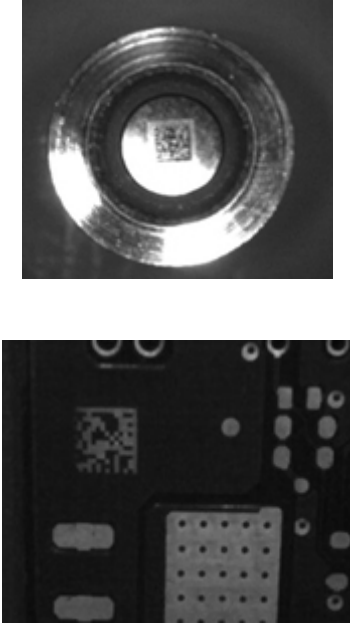
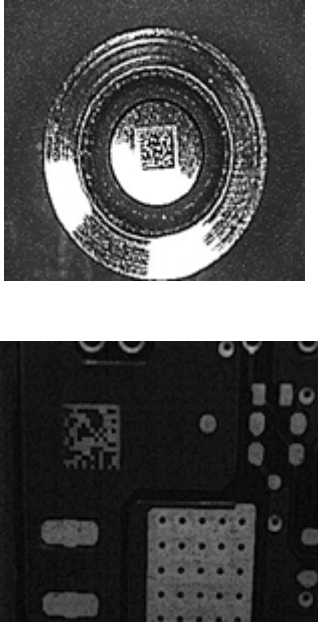
The **Smoothing** filter deletes small (insignificant) details in the center of the image.

	
Before - No Read	After - Readable



The **Sharpening** filter improves out of focus images.

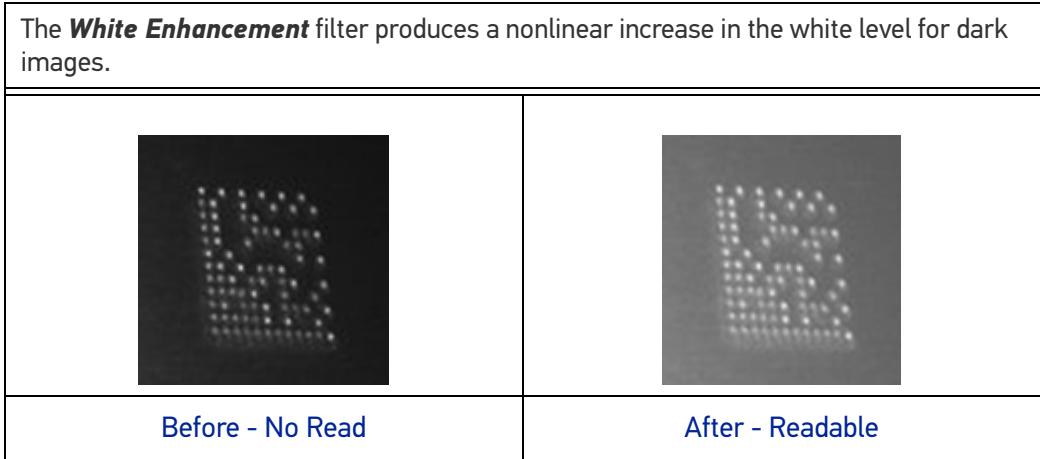
	
Before - No Read	After - Readable

The **Deblurring** filter improves blurred images.

	
<p>Before - No Read</p>	<p>After - Readable</p>

The **Black Enhancement** filter produces a nonlinear increase in the black level for light images.

	
<p>Before - No Read</p>	<p>After - Readable</p>



## PASS-THROUGH CONFIGURATIONS

Starting from software version 1.3.0, DL.CODE supports pass-through multi device configurations.

The pass-through configuration allows individually working devices (Alone), to collect data from other devices (also working Alone), and pass this data to a third device through a different communication channel.

The following screenshots show the pass-through configuration settings for the three devices in the example in "Pass-Through" on page 88.





Layout Type : Alone Internal Network Role : Slave 0 ; Configuration : Station 2; Status : Halt ; Reading Phase: Phase 2

**Reader #2** 2 Reading Phase 3 Data Formatting

Good Read Setup Output Setup

Output Data Format

- Output Messages
  - Message 1
  - Message 2
- Diagnostic Messages
- Channels
  - Matrix TCP Server 1
  - Matrix TCP Server 2
  - Main
  - Aux
- Fieldbuses
- Images Saving Conditions
- Passthrough Configuration
  - Passthrough 1
  - Passthrough 2

Passthrough 2 Field

Output Data Channels

Good Read Message1 Matrix TCP Server 1

No Read Message2 Matrix TCP Server 2

Main Main

Aux Passthrough1 Aux

Passthrough2

Data Formatting : Passthrough 2

Header <STX>

Terminator <CR><LF>

Passthrough Input Data

Header <STX>

Terminator <CR><LF>

Input Channel Aux

Passthrough Content Field

Output Channels

- Matrix TCP Server 1
- Matrix TCP Server 2
- Main
- Aux

Layout Type : Alone Internal Network Role : Slave 0 ; Configuration : Station 3; Status : Halt ; Reading Phase: Cont

**Reader #3** 2 Reading Phase 3 Data Formatting

Good Read Setup Output Setup

Output Data Format

- Output Messages
  - Message 1
  - Message 2
- Diagnostic Messages
- Channels
- Fieldbuses
- Images Saving Conditions
- Passthrough Configuration

Message 1 Field

Expected Code 1

Output Data Channels

Good Read Message1 Matrix TCP Server 1

No Read Message2 Matrix TCP Server 2

Main Main

Aux

Data Formatting : Message 1

Header <STX>

Terminator <CR><LF>

Code Related Field

Output Channels

- Matrix TCP Server 1
- Matrix TCP Server 2
- Main
- Aux

Event Type

## INTERNAL NETWORK CONFIGURATIONS

Internal Network configurations (also called Master/Slave configurations), are designed to collect data from several devices connected together in an ID-NET™ network and send data output to the Host system.

DL.CODE has a Net Autoset feature for the Internal ID-NET Network which automatically recognizes and assigns addresses to all connected Slave readers.

In order to automatically recognize the ID-NET Slaves, all devices must be physically installed and electrically connected (including ID-NET network wiring).

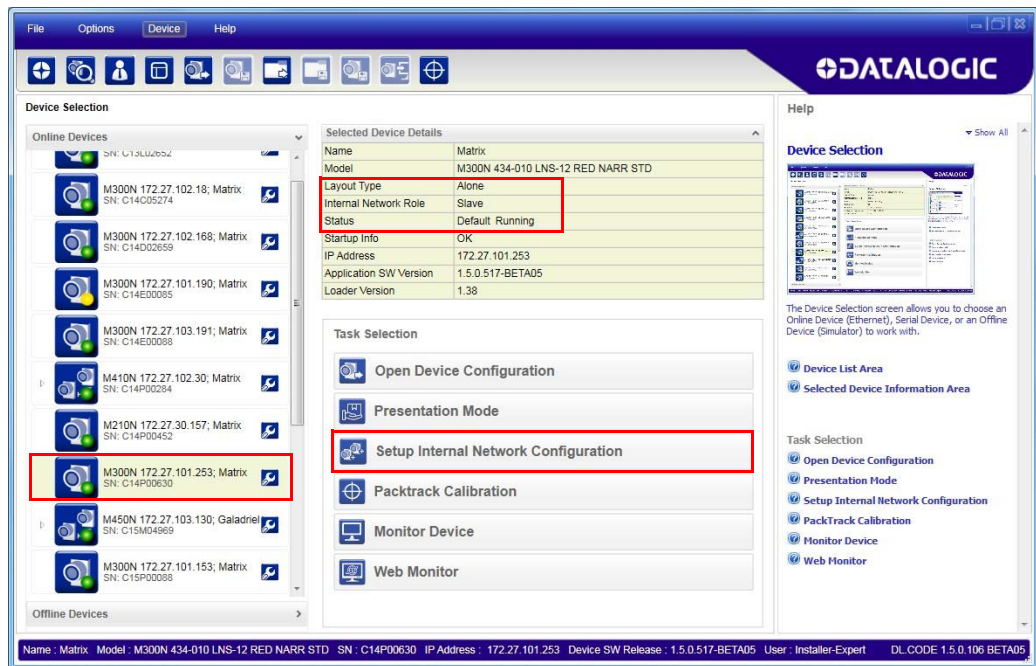
The general procedure (also detailed in the following paragraphs) is to:

1. Mount all the readers mechanically (refer to "[Mechanical Dimensions](#)" on page 50 and "[Mounting And Positioning Matrix 320](#)" on page 54) and electrically (refer to "[ID-NET Interface](#)" on page 66) with factory default settings (Layout Type = Alone, Internal Network Role = Slave).
2. Run DL.CODE and verify that all the devices are discovered and shown in the device list area.
3. Connect to the designated Master device in DL.CODE and open the **Setup Internal Network Configuration**. You will be prompted to change the device to Master. Click OK. The Slave units will automatically be recognized. See "[Master Configuration](#)" on page 121.
4. Depending on the application, select Set Default Multidata Configuration or Set Default Synchronized Phase Mode Configuration.
5. Connect to each Slave reader via Ethernet and set the Slave specific parameters depending on the application type. Save each Slave specific configuration. See "[Multidata ID-NET Network Configurations](#)" on page 123 or "[Synchronized ID-NET Network Configurations](#)" on page 128.
6. For Synchronized networks Verify/Test network performance. See "[Verify Master/Slave Synchronized Configuration](#)" on page 132.
7. Perform the **Backup current Internal Network configurations** procedure. See "[Backup](#)" on page 136.

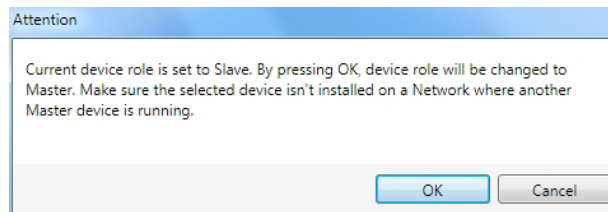


## Master Configuration

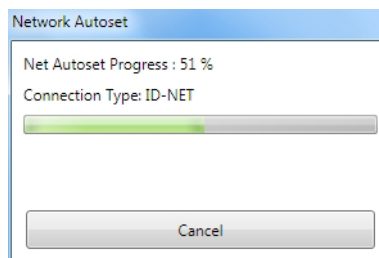
First start with the desired device to assign as ID-NET Master (current default setting is Slave). Click on Setup Internal Network Configuration from the Task area.



You will be advised that the device role will be changed to Master.



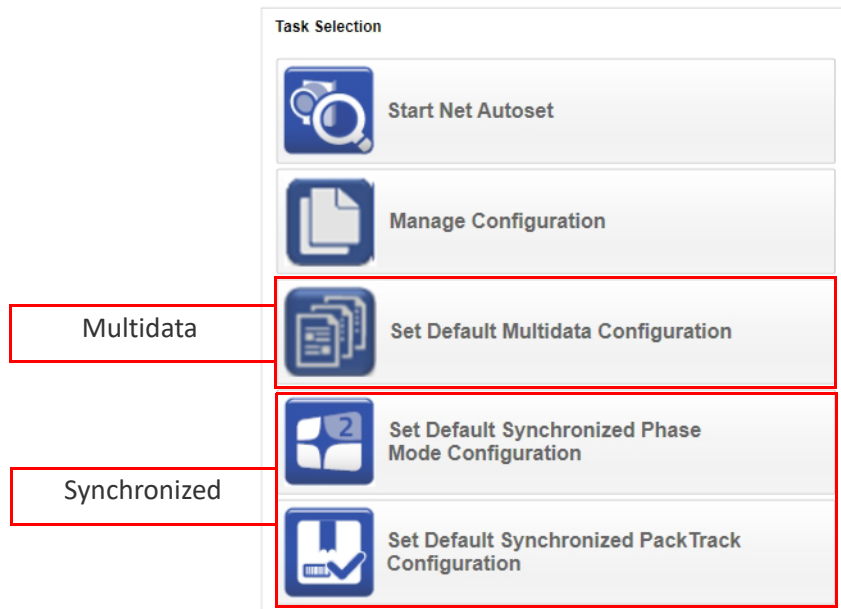
Click OK. The Net Autaset feature automatically starts to find Slave devices connected to the ID-NET network of the Master.



When finished, all the Slaves should have been correctly recognized. If not, verify all device connections and power and then repeat the operation by clicking on the Start Net Autoset button.



Depending on the application, select one of the Default Internal Network Configurations: **Multidata**, **Synchronized Phase Mode** or **Synchronized PackTrack**.



This selection will open a pre-configured job for the Master reader according to the selection. Follow the specific application instructions in the following paragraphs.

## Multidata ID-NET Network Configurations

The Multidata ID-NET network communications between Master and Slave are managed by the application job (configuration) using the pass-through feature. A pre-configured job is loaded with the correct pass-through settings for both the Master and Slaves when the Default Multidata Configuration is selected from the Internal Network Setting feature.

1. Complete the configuration of all the application parameters (including Image Settings) and save them to the Master with an application specific name.

Optionally, checking the **Save on Slave Device** box can be helpful to save all the current individual Slave configurations with the new configuration *name*. This does not clone any parameters. If not checked, Slave configurations will remain as *Temp* configurations and you will be warned that changes to the Master have not been saved to the Cluster.

For Multidata configurations, the option to **Clone Master configuration on Slaves** **must not be checked**.

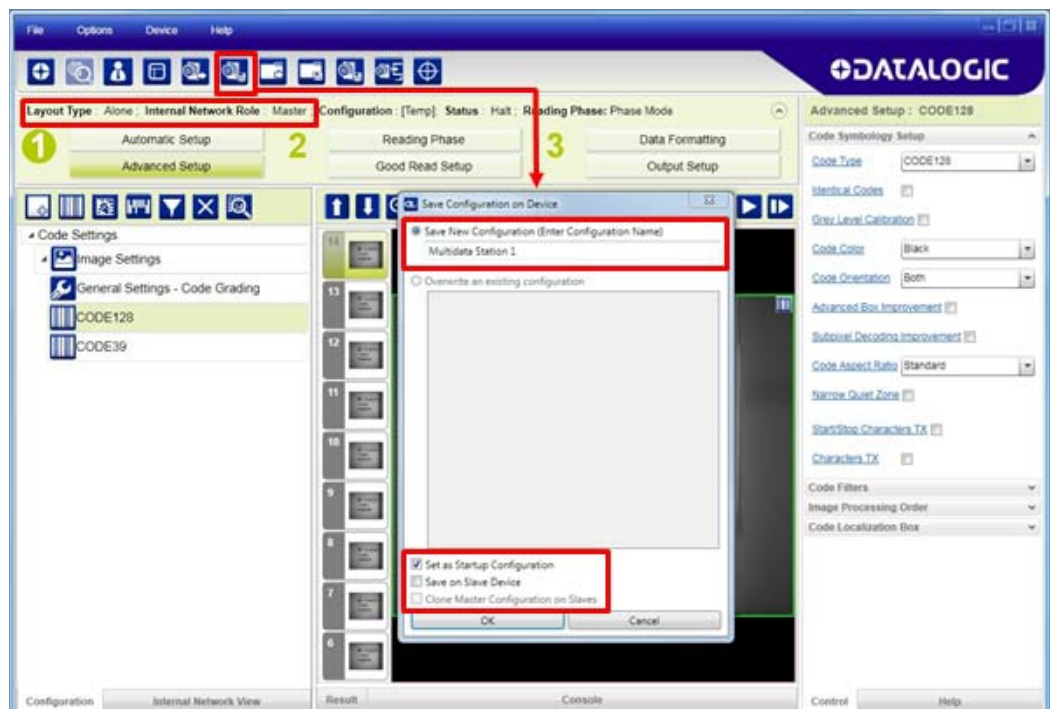


Figure 83 - Saving Multidata Configuration to Master

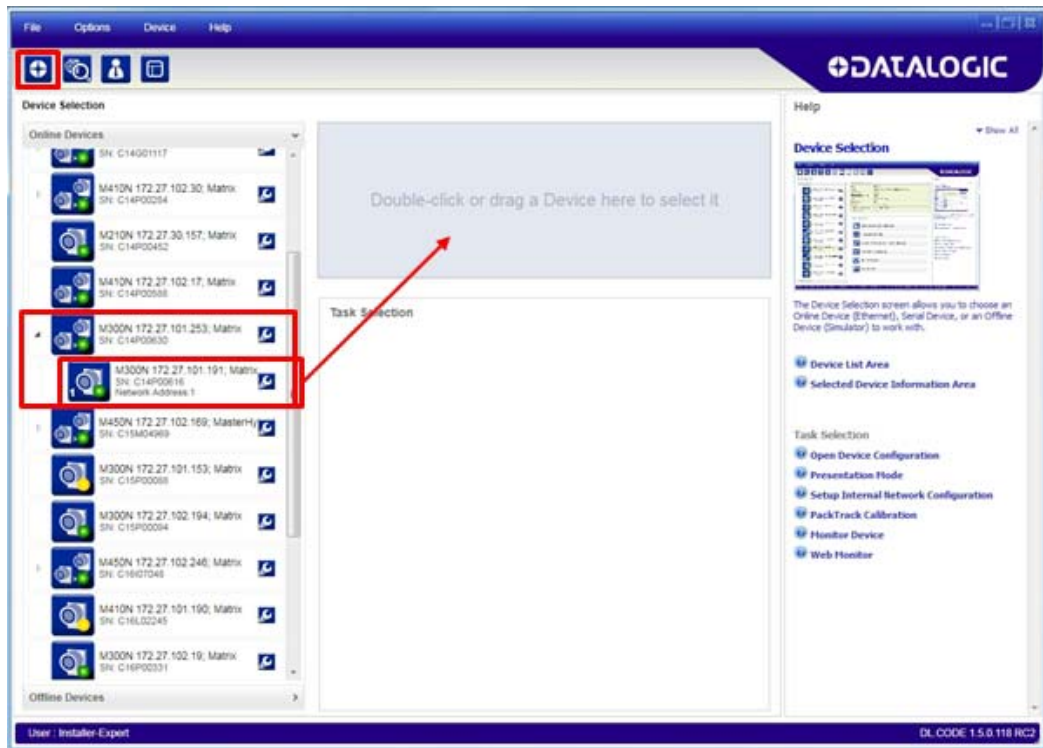
The jobs must not be cloned because the Master and Slaves have different input/output communication channels. The readers are also working independently from each other, often on separate stations with different code reading requirements, different operating modes, etc.

2. Connect to each Slave reader via Ethernet (see note below), and set all the configuration parameters of each Slave device.

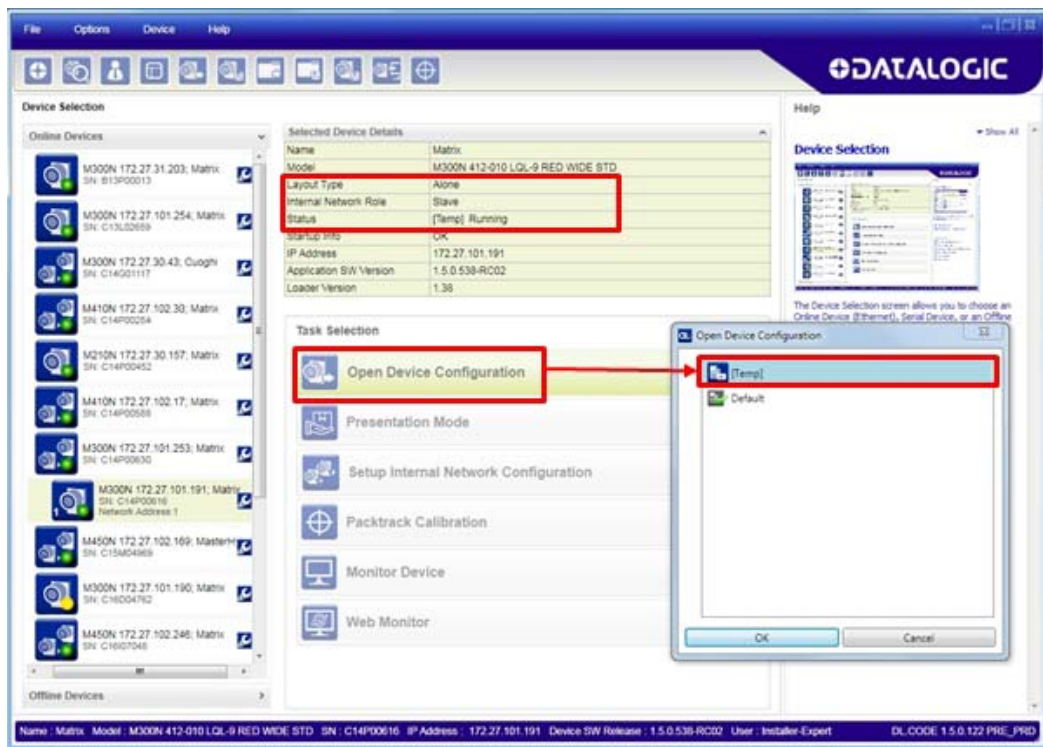


### NOTE

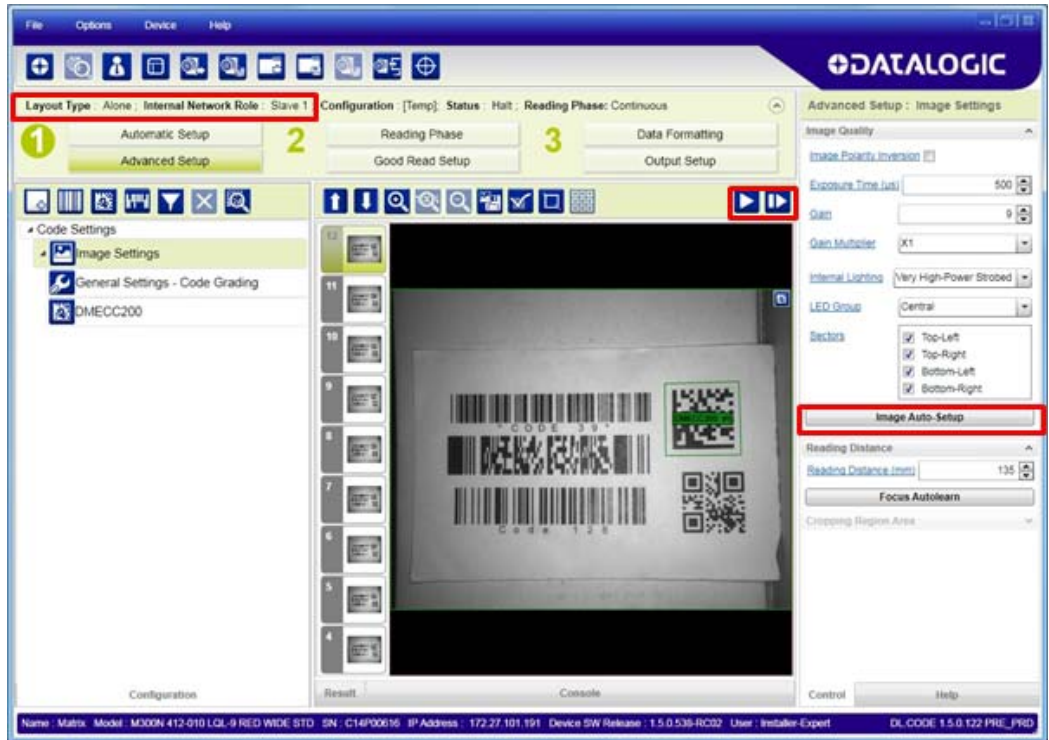
**If necessary, Slave device photometric (Image Settings) parameters must be configured separately through DL.CODE. This is preferably done through each device's Ethernet TCP/IP channel. If Slave devices are not connected to Ethernet you must temporarily (manually) connect them one by one to perform Image Settings.**



Open the **Slave specific application** job, (it will either have the new name saved from the Master or Temp depending on the **Save on Slave Device** selection).



When the configuration opens, pause run mode and set all the application specific configuration parameters (including Image Settings).



Verify the focus and decoding with the capture image button.



3. Now save them to a new Slave specific application job<sup>1</sup>.

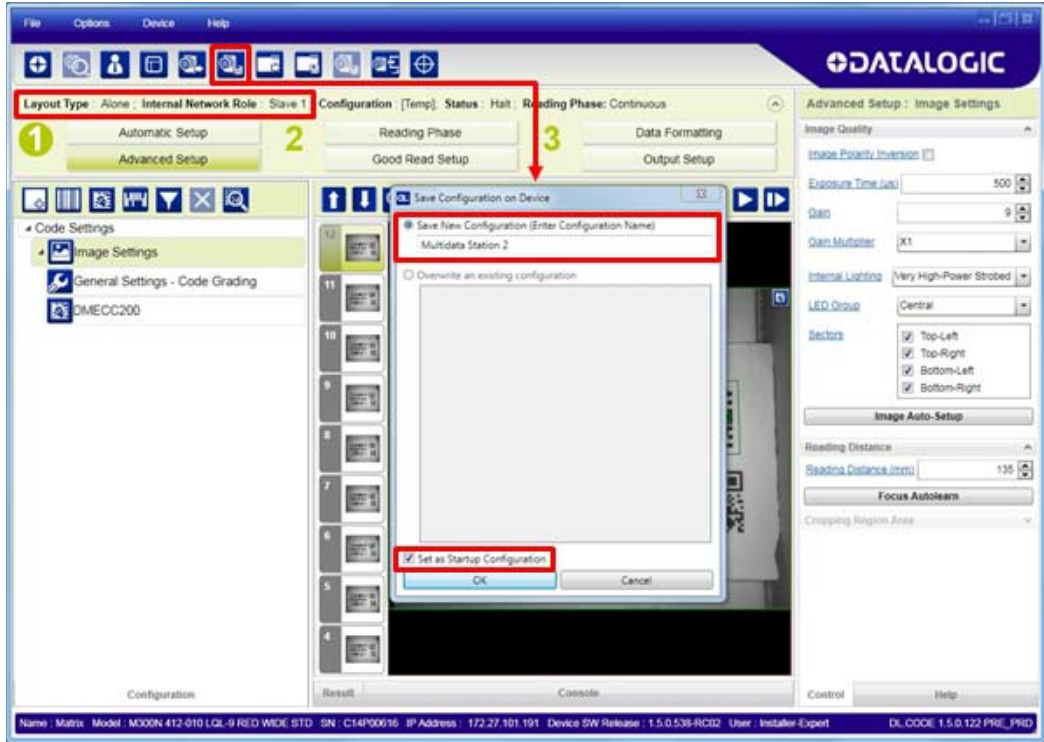
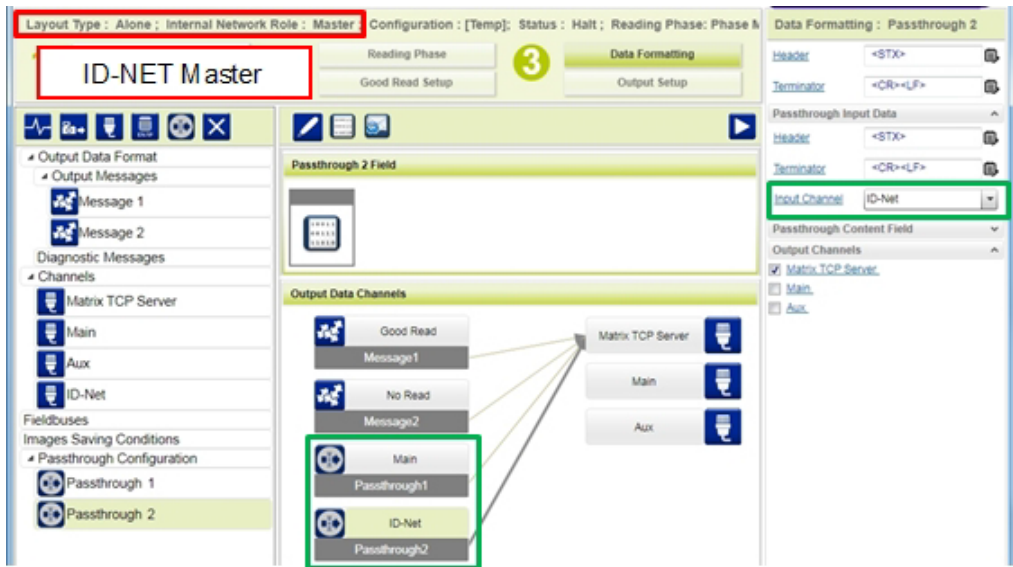


Figure 84 - Saving Multidata Configuration to Slave 1

Repeat this procedure for each Slave device until the entire network is configured.

The following screenshots show the pass-through configuration settings.



1. If **Save on Slave Device** was selected when saving the Master configuration, an application job with the same name (but with all Slave specific configuration parameters), has been saved to the Slaves. No parameters have been cloned from the Master. There are no common parameters managed by the Master for Multidata configurations.

Layout Type : Alone ; Internal Network Role : Slave 1 Configuration : [Temp]; Status : Halt ; Reading Phase: Phase 1

**ID-NET Slave #1**

Reading Phase: 3 Data Formatting: Passthrough

Good Read Setup Output Setup

Output Data Format

- Output Messages
  - Message 1
  - Message 2
- Diagnostic Messages
- Channels
  - Matrix TCP Server
  - Main
  - Aux
  - ID-Net
- Fieldbuses
- Images Saving Conditions
- Passthrough Configuration
  - Passthrough

Passthrough Field

Output Data Channels

- Good Read Message1
- No Read Message2
- Aux
- Passthrough

Matrix TCP Server

- Main
- Aux
- ID-Net

Data Formatting : Passthrough

Header: <STX>

Terminator: <CR><LF>

Passthrough Input Data

Header: <STX>

Terminator: <CR><LF>

Input Channel: Aux

Passthrough Content Field

Output Channels

- Matrix TCP Server
- Main
- Aux
- ID-Net

Layout Type : Alone ; Internal Network Role : Slave 2 Configuration : [Temp]; Status : Halt ; Reading Phase: Contin

**ID-NET Slave #2**

Reading Phase: 3 Data Formatting: Message 1

Good Read Setup Output Setup

Output Data Format

- Output Messages
  - Message 1
  - Message 2
- Diagnostic Messages
- Channels
- Fieldbuses
- Images Saving Conditions
- Passthrough Configuration

Message 1 Field

Expected Code 1

Output Data Channels

- Good Read Message1
- No Read Message2

Matrix TCP Server

- Main
- Aux
- ID-Net

Data Formatting : Message 1

Header: <STX>

Terminator: <CR><LF>

Code Related Field

Output Channels

- Matrix TCP Server
- Main
- Aux
- ID-Net

Event Type

## Synchronized ID-NET Network Configurations

The Synchronized ID-NET network communications between Master and Slave are internally managed by the application software. A pre-configured job is loaded with the Synchronized Layout Type and the correct Operating Mode for both the Master and Slaves when either the Phase Mode or PackTrack Configuration is selected from the Internal Network Setting feature.

1. Complete the configuration of all the application parameters (including Image Settings) and save them to the Master with an application relative name and **with** the option to **Clone Master configuration on Slaves**.



Figure 85 - Saving Synchronized Phase Mode Configuration to Master

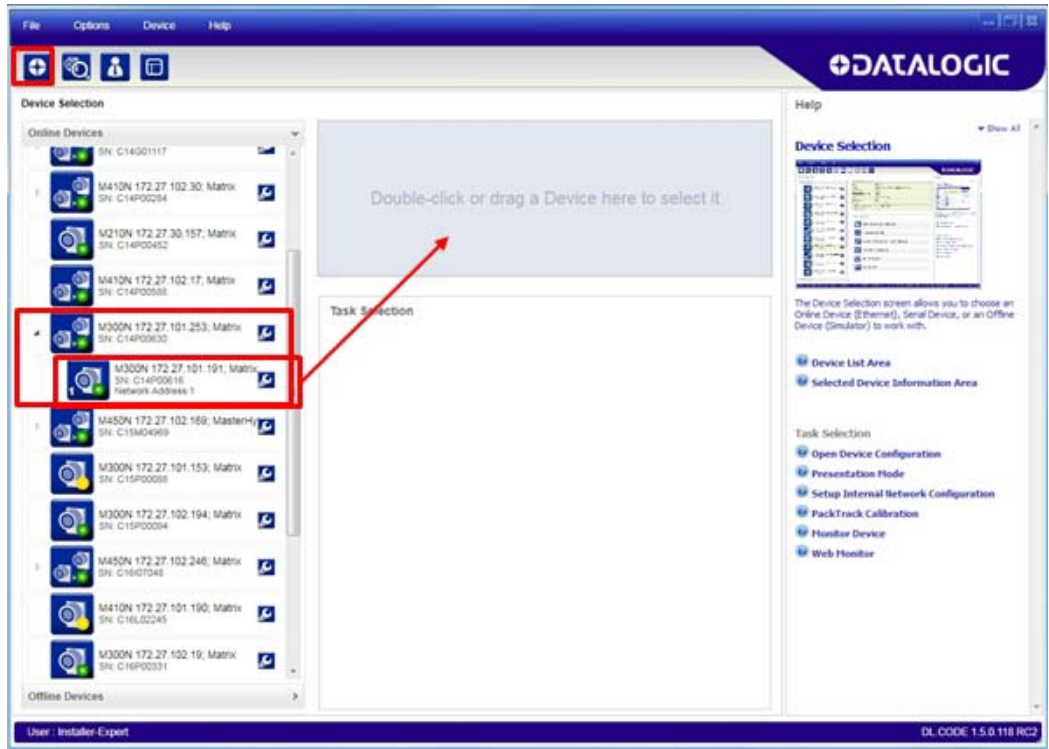
2. Connect to each Slave reader via Ethernet (see note below), and set the Slave specific parameters.



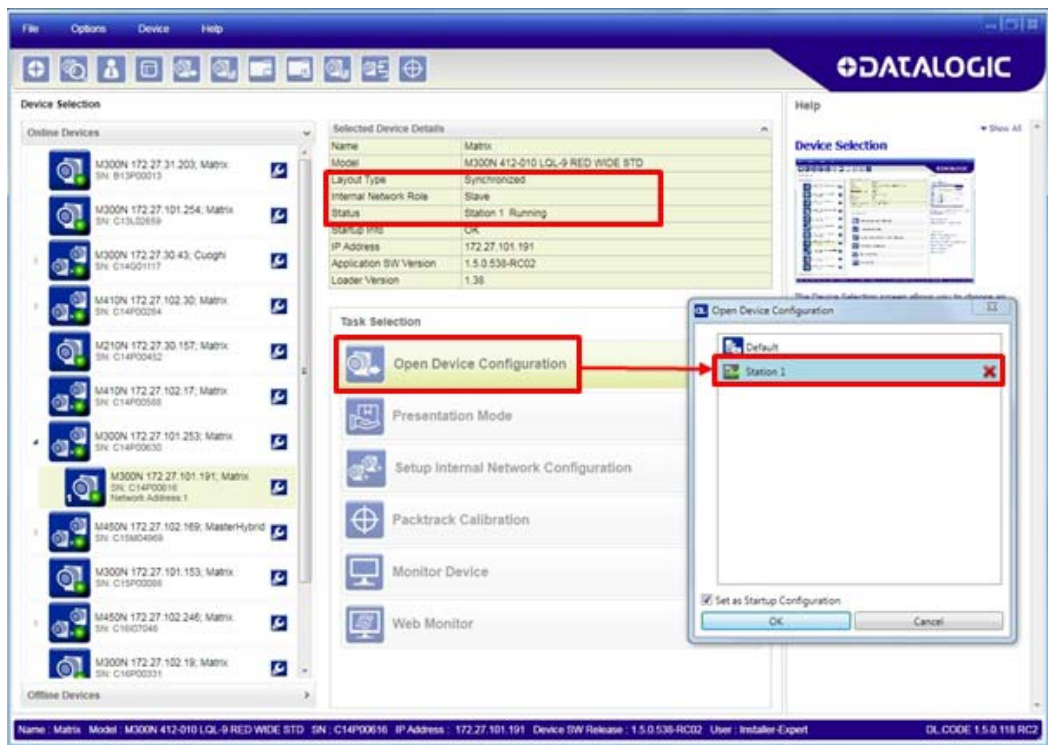
### NOTE

**If necessary, Slave device photometric (Image Settings) parameters must be configured separately through DL.CODE. This is preferably done through each device's Ethernet TCP/IP channel. If Slave devices are not connected to Ethernet you must temporarily (manually) connect them one by one to perform Image Settings.**



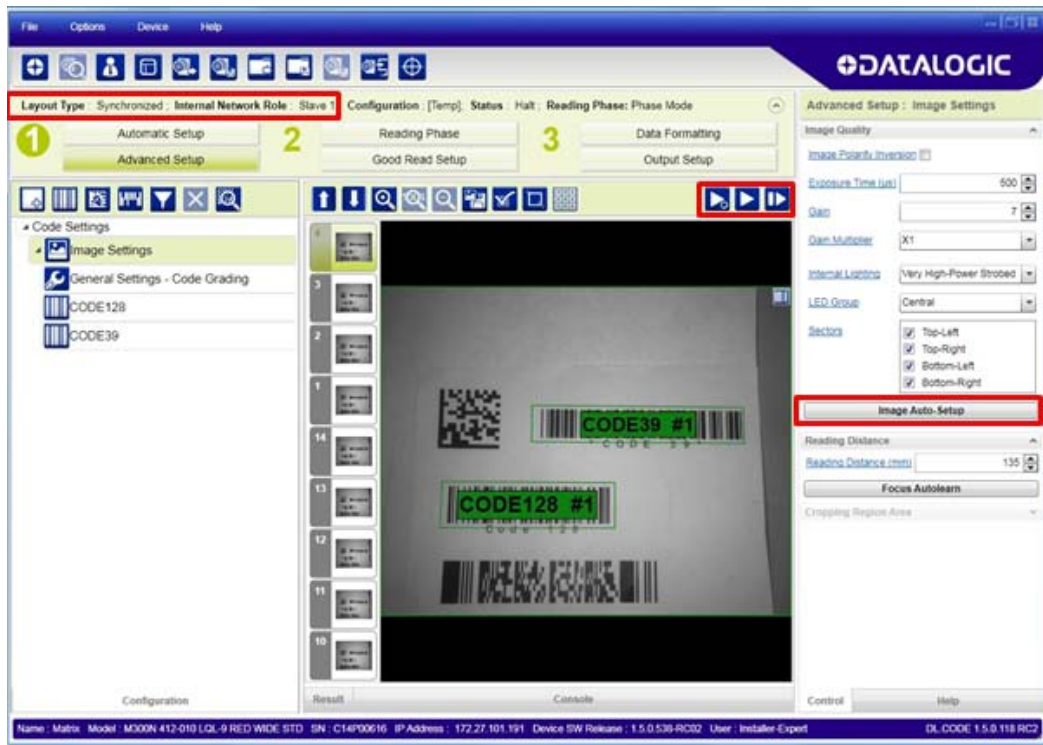


Open the cloned application job.



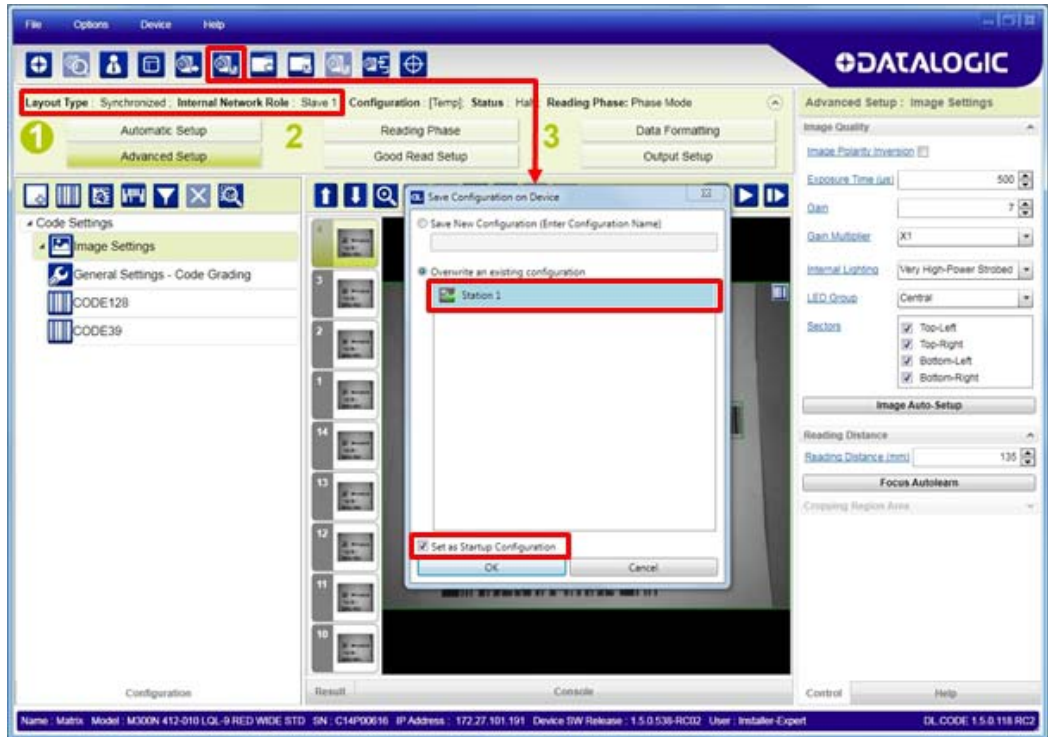
When the job opens, pause run mode and configure the Slave specific parameters. These depend on the application and include the following:

- photometric parameters (Image Auto-Setup feature in the Advanced Setup – Image Settings step)
- Acquisition Trigger Delays necessary to avoid lighting interference between adjacent or oppositely positioned readers (Reading Phase step)
- Images Saving if used (Data Formatting step)
- Encoder Sensor: if used, (for all Slaves, the Encoder Type must be set to **Internal**)



Verify the focus and decoding with the capture image button.

3. Now save them, overwriting the cloned application job<sup>1</sup>.



**Figure 86 - Saving Synchronized Phase Mode Configuration to Slave**

Repeat this procedure for each Slave device until the entire network is configured.

See "ID-NET Synchronized Network" on page 90 for an example.

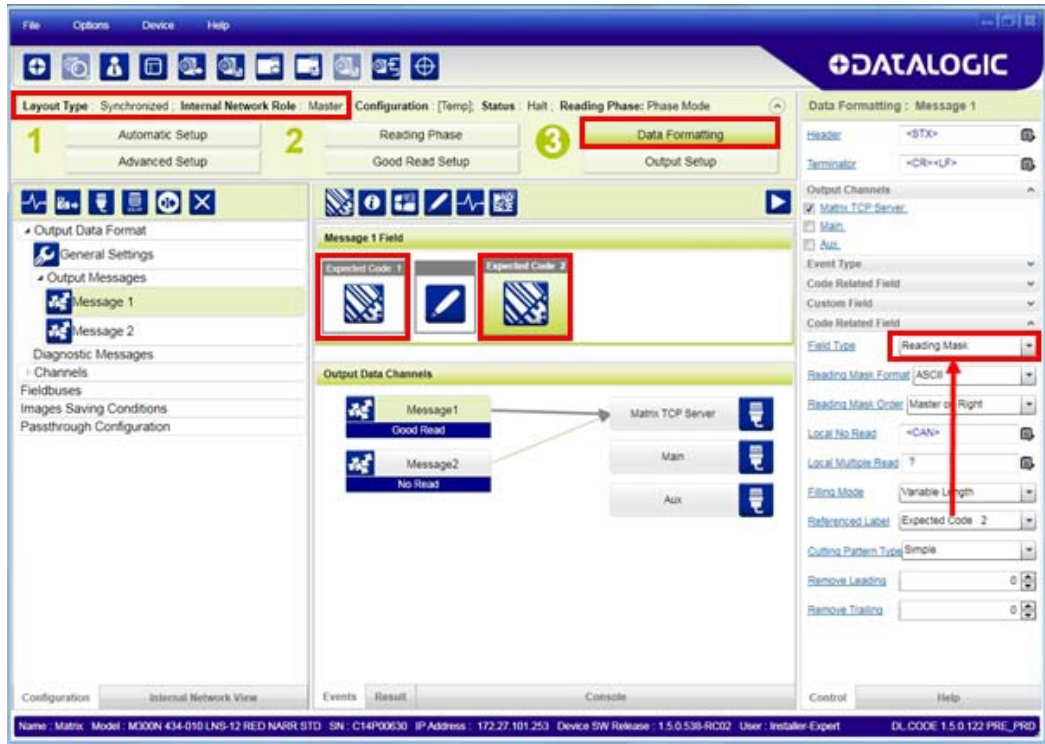
1. An application job with the same name as the Master's has been cloned to the Slaves. Each Slave can have its own Image Settings parameters saved in its own copy of the application job. Common parameters managed by the Master such as Operating Mode cannot be modified in the Slave jobs and are shown in dark gray.

# Verify Master/Slave Synchronized Configuration

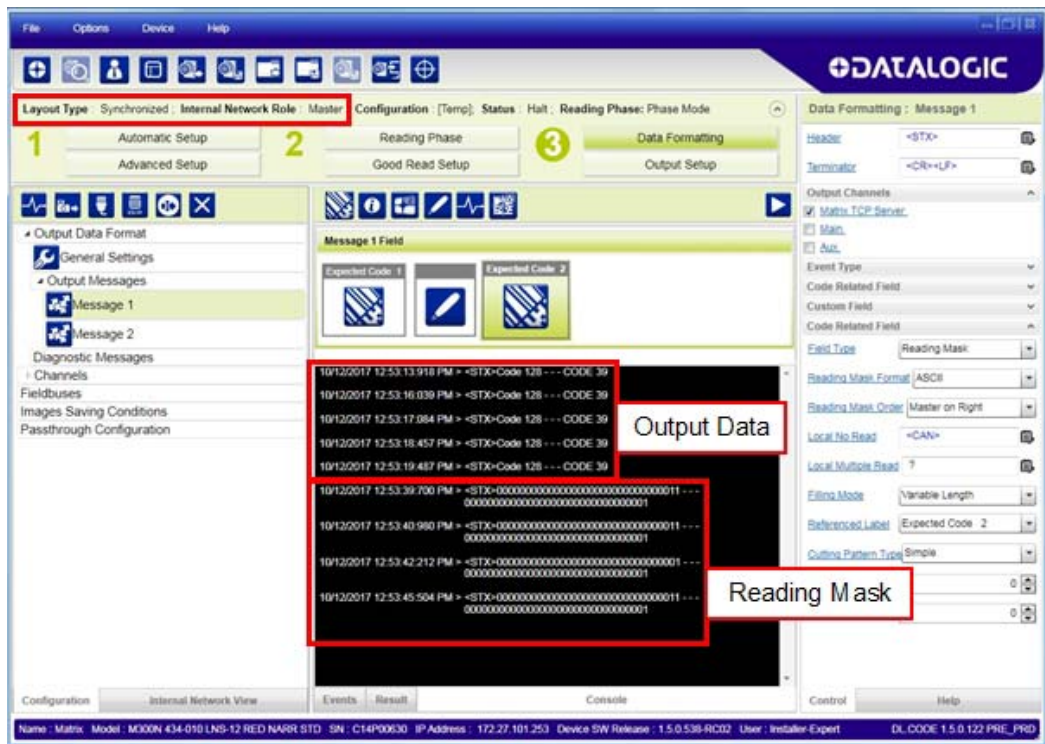
From the Master configuration, run the application and monitor the output data from the DL.CODE Console or a configured channel terminal.

If necessary, as a troubleshooting tip, you can temporarily apply the **Reading Mask** field in place of each Code Content field to verify if all devices are reading. To do this:

1. Connect to the Master device via Ethernet and from the Data Formatting step, change each Expected Code Field Type from Code Content to Reading Mask.



2. Run the application and monitor the output data from the DL.CODE Console or a configured channel terminal.



The Reading Mask shows which device reads which Expected Code. The mask is composed of a fixed 32-character string (0=No Read or 1=Read) representing the 32 possible readers in an ID-NET network. By default the Master is the last character in the string (**Master on Right**) but this can be changed. The Slaves are shown adjacent to the Master in order (1 to 31), by default from right to left.

**Example:** Master + Slave 1 = 0000000000000000000000000000000011

The figure above shows that both the Master and Slave 1 are reading Code 128 while only the Master is reading Code 39.

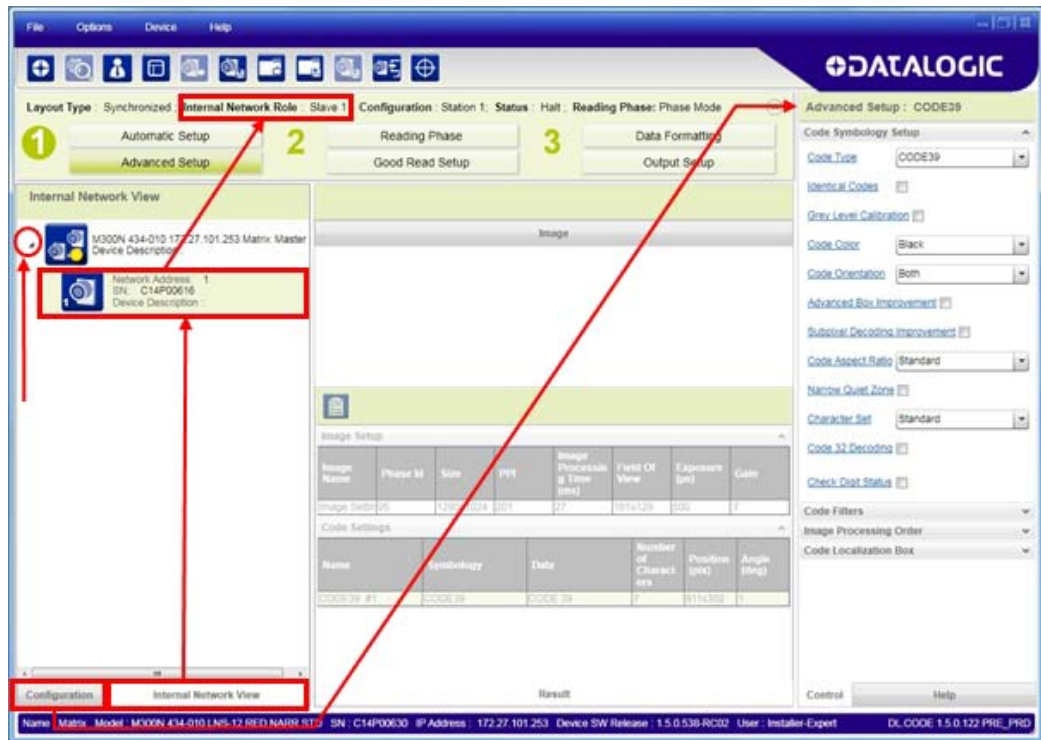
3. After verifying correct functioning of the reading devices, return the Expected Code fields from Reading Mask to Code Content.
4. If you haven't made any other changes you can exit without saving. Otherwise, save the Master device configuration overwriting its previous one, making sure to save **without Clone Master Configuration on Slaves**, otherwise the Slave configurations will be overwritten.



To view the connected Slave configurations:

1. Click on the Internal Network View tab at the bottom of the screen.
2. Open the Master branch by clicking on the arrow to the left of the Master icon.
3. Select any slave. Wait for the configuration to load.
4. Click The Configuration tab at the bottom of the screen.

By selecting the various configuration steps above you can visualize the slave configuration.



#### NOTE

You can modify some Slave Synchronized parameters from this view but you cannot save them here.

To save changed slave parameters here, you must click on the Master and Save the configuration overwriting it, making sure to select Save on Slave Device but **without** Clone Master Configuration on Slaves, otherwise all the Slave configuration parameters will be overwritten by the Master configuration.

# BACKUP AND RESTORE THROUGH DL.CODE

DL.CODE allows Backup and Restore to be performed to/from the configuration PC via file or to an external storage device such as BM100/BM150.

DL.CODE provides complete backup and restore functions (Configuration and Environmental parameters) with the following difference:

For Single Readers or individual ID-NET Slaves:

- Backup and Restore functions provide parameter storage including all configuration jobs present on the reader.

For Master Readers in ID-NET Master/Slave networks:

- Backup and Restore functions provide parameter storage of only the Startup Configuration for the Master and all Slaves present in the network.



**CAUTION**

**For Master/Slave networks any other configurations (jobs) stored in the device memory will not be backed up. Therefore, all jobs other than the startup configuration will be overwritten (erased) upon a restore. It is strongly recommended to save all configurations to backup files.**

Slave devices must always be configured with the same network baudrate as the Master device for correct functioning including performing Backup and Restore procedures.

When performing Backup and Restore to/from file, device firmware can be included.

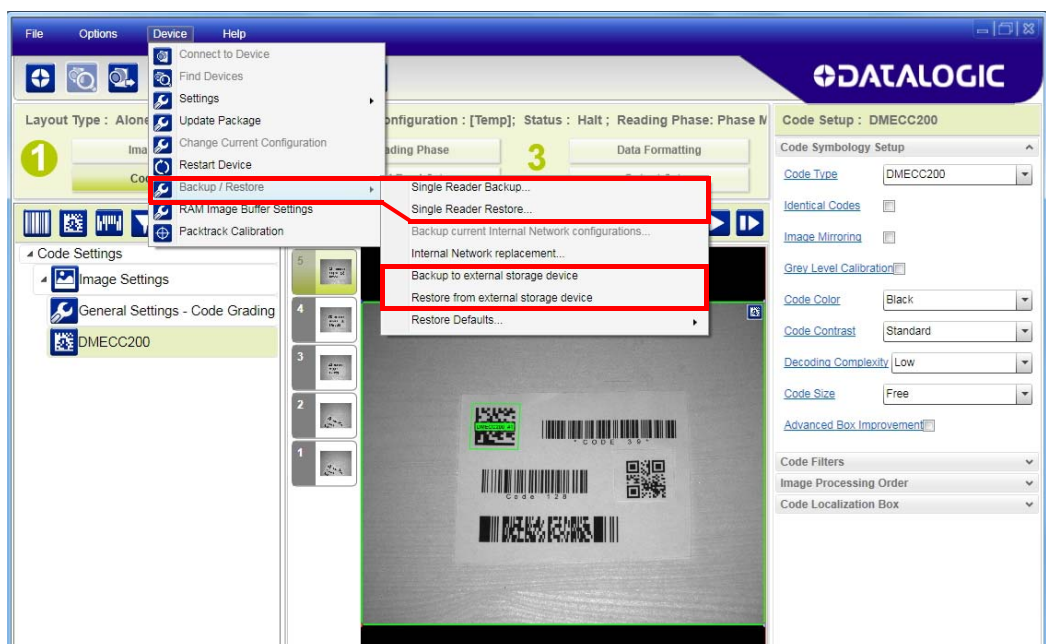
Regardless of the reader network configuration, Backup to and Restore from external device is supported by DL.CODE for all reading devices when connected to:

- CBX + BM100
- QLM-Series Gateways



**NOTE**

**Before executing a Backup to a BM100 backup module make sure the Write Protection switch is set to Unlocked.**



## Backup

To perform a **Backup**:

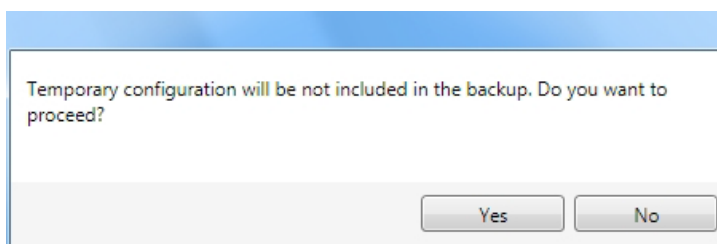
1. From the DL.CODE Device menu, select either **Single Reader Backup** (to file on PC); or **Backup to external storage device**.



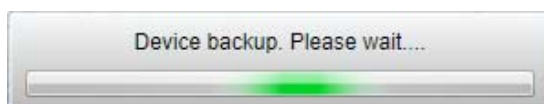
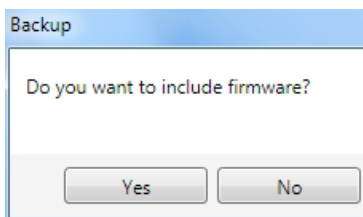
**NOTE**

**For ID-NET network Backup, select the Backup current Internal Network configurations selection.**

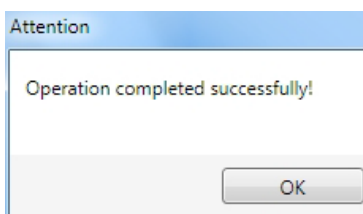
You will be reminded that configuration in temporary memory will not be saved so you should save the configuration to the reader before performing Backup.



If you are performing a backup to a file you will be asked whether to include the firmware or not.



At the end of the backup, DL.CODE shows a message indicating successful completion.

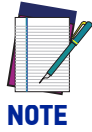




## Restore

To perform a **Restore**:

1. From the DL.CODE Device menu, select either **Single Reader Restore** (from file on PC); or **Restore from external storage device**.

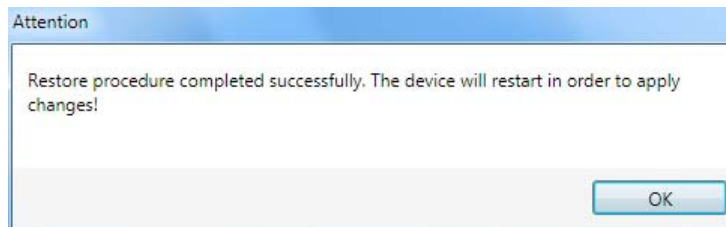


**For ID-NET network Restore, select the Internal Network replacement selection.**



If restoring an ID-NET network through the Master, this may take a few minutes.

At the end of the restore, DL.CODE shows a message indicating successful completion.



## Replacement



**The replacement device must be the exact same model as the device it is replacing.**

The **Restore** function also provides easy and secure Single Device Replacement:

1. Remove the device to be replaced.
2. Connect the new device (make sure the new device has been previously set to factory default).
3. Run the Restore procedure by selecting either **Single Reader Restore** (from file on PC) or **Restore from external storage device** item (see: Restore procedure).



**In case of Backup or Restore operation failures, error messages will be displayed in the Monitor Diagnostic page.**

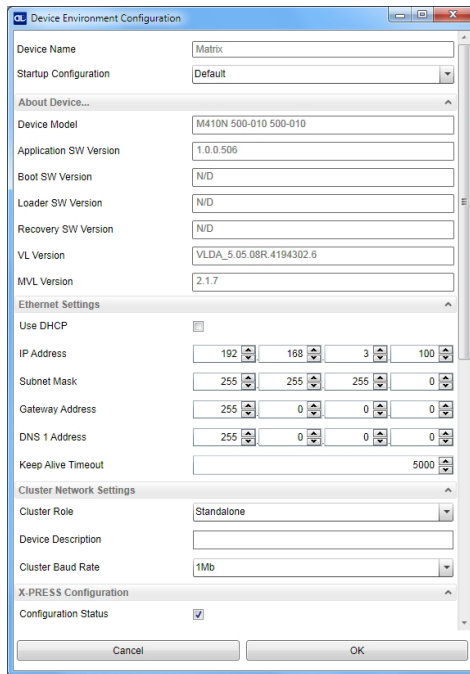
# RESTORE DEFAULTS

The device parameters are divided into two main classes, Configuration and Environment which are affected differently by the Restore Defaults commands.

- The Configuration parameters are the ones set in the various steps of the configuration process and are specific to each application. When multiple configurations (jobs) are saved on a single device, these parameters can be different from one configuration to the next.
- Environment parameters regard the device Identity and Position in a Network (Ethernet, ID-NET, etc.) and are not influenced by the Default (or any other) Configuration present in memory.

## Restore Default Environment

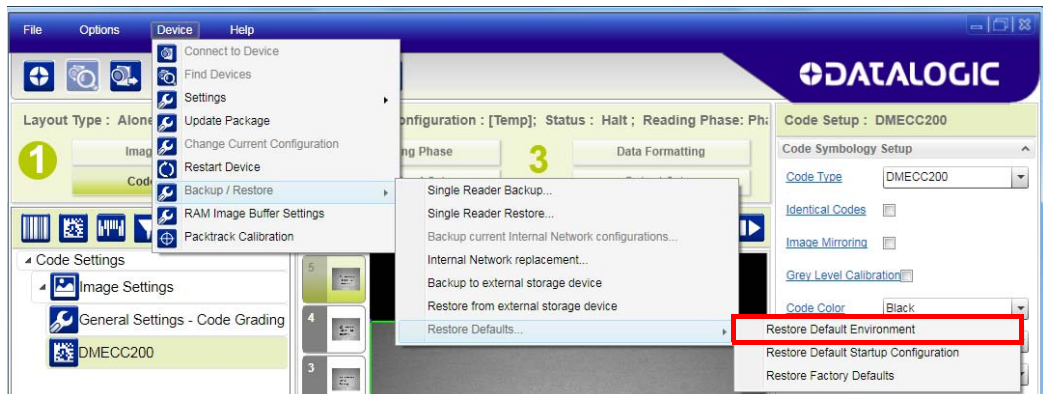
**Restore Default Environment** returns all Environment parameters to their factory default settings. The default IP address will be restored as well as all the parameters managed in the Device Environment Configuration window.



The Factory Default static IP address for all Matrix N Family readers is:

**IP Address = 192.168.3.100**

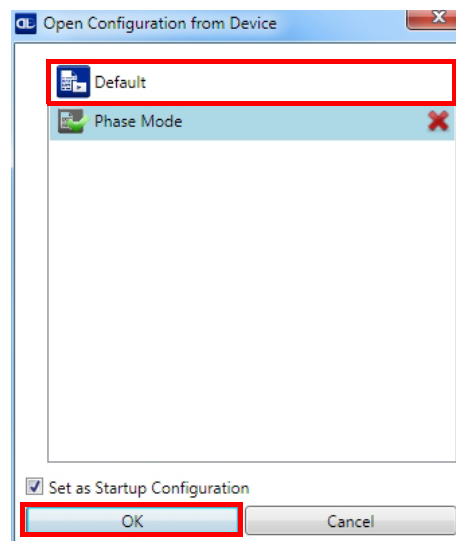
Go to the Device menu >Backup/Restore > Restore Defaults > **Restore Default Startup Configuration**.



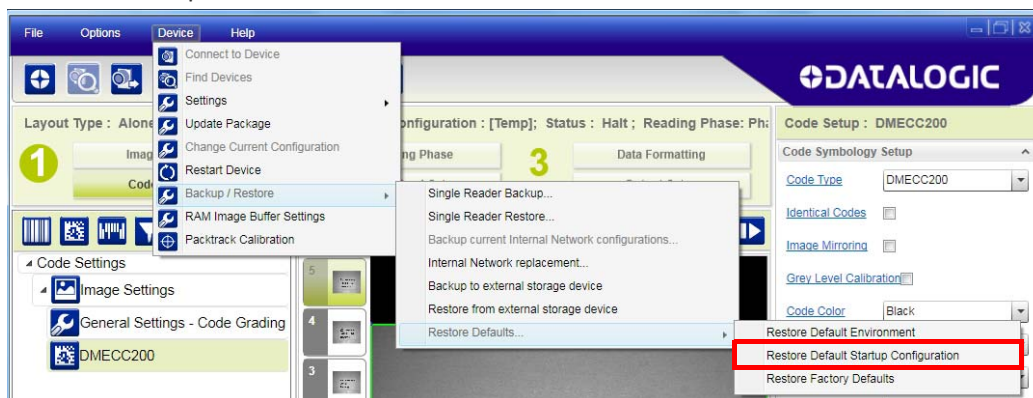
Any previously saved configurations on the device will remain in memory, but the Default configuration is set as the startup configuration.

## Restore Default Startup Configuration

The Default configuration is always present on the reader and in fact it is not modifiable and cannot be deleted. It can always be restored by simply selecting it from the Open from Device configuration list.



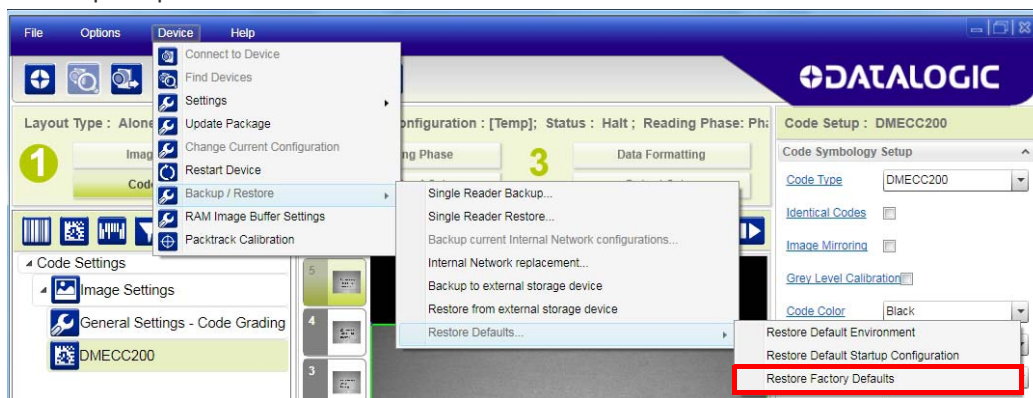
The same action can be performed from the Device menu >Backup/Restore > Restore Defaults > **Restore Default Startup Configuration**. The Default Configuration will be set to run at startup and the reader will be reset.



Any previously saved configurations on the device will remain in memory, but the Default configuration is set as the startup configuration.

## Restore Factory Defaults

In order to return a device to its absolute Factory default parameters (for example device replacement) it is necessary to use the **Restore Factory Defaults** command. You will be prompted to confirm.



All Environment parameters will be restored to Factory default values and **any existing configurations stored on the device will be erased**. The device will be reset and therefore start in run mode with the factory default configuration.

# DIAGNOSTIC ALARMS

By using the **DL.CODE Monitor** functions from the File menu (or Monitor icon), you can get information about diagnostic alarms. Any alarms will show up as warning lights on the alarm panel.

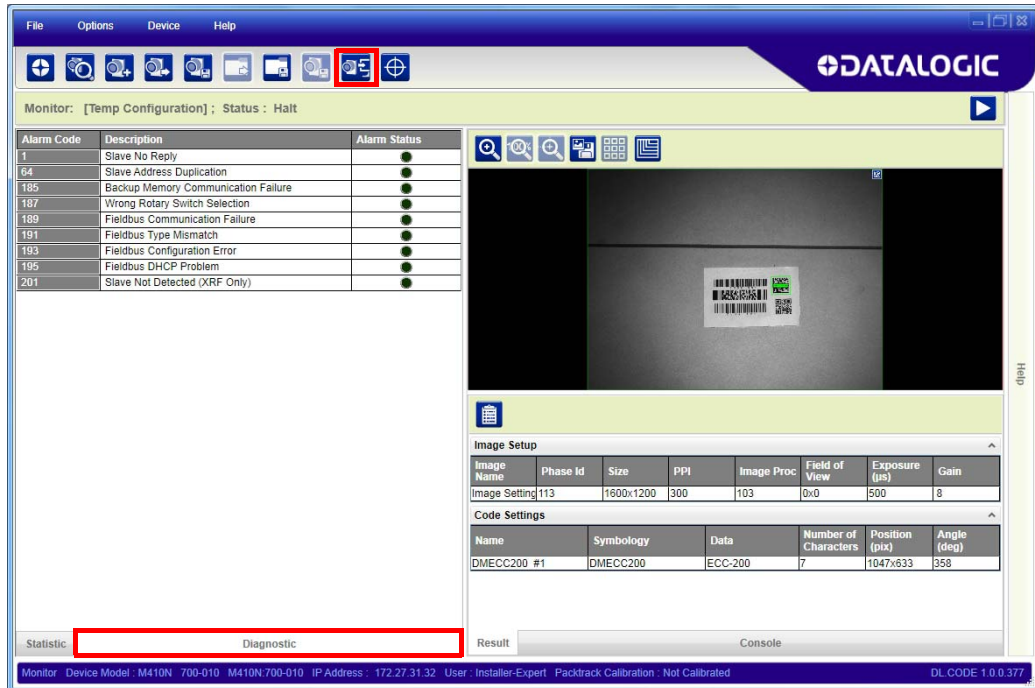


Figure 87 - Diagnostic Alarms

# STATISTICS

Statistics on the reading performance can be viewed by enabling the Statistics panel from the **DL.CODE Monitor** item selected from the File menu (or Monitor icon).

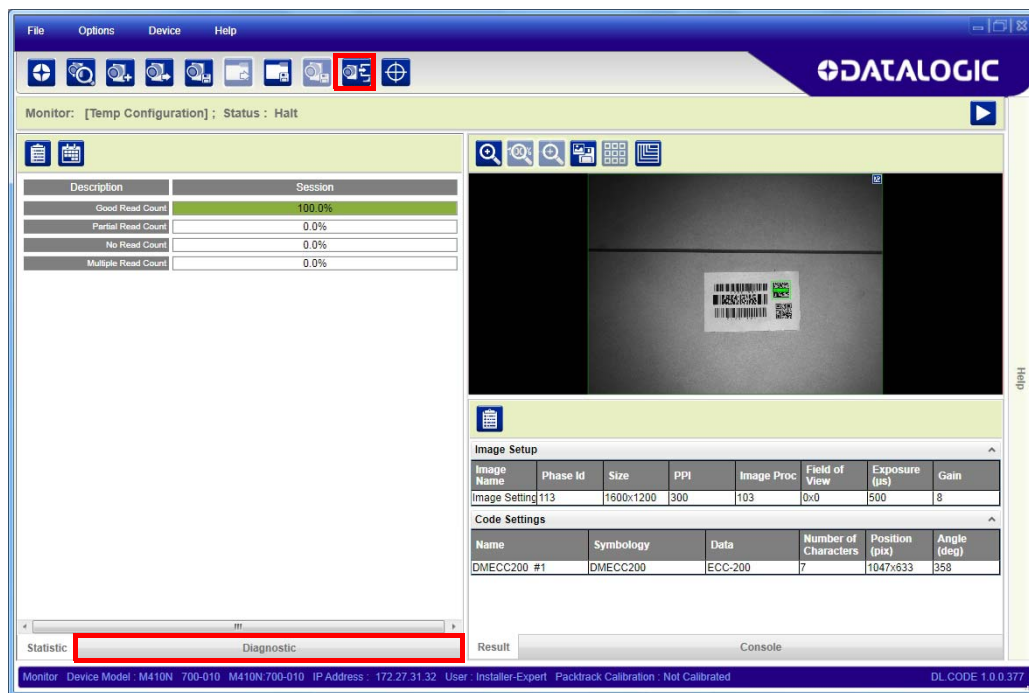
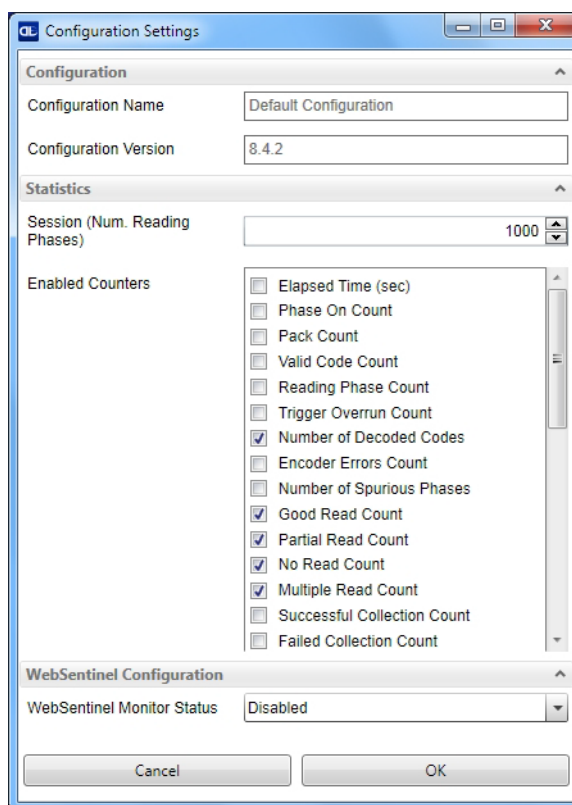


Figure 88 - Reading Statistics

The enabled Statistical Counters can be selected from the Device>Settings>Configuration Settings menu.



## BM150 DISPLAY MODULE CONFIGURATION AND MESSAGES

The BM150 display module is an optional accessory for the CBX500 connection box. Although independent, it is an extension of the reader's HMI Interface, so through its keypad it provides execution of HMI features such as Test, Focus/Locate, Calibration and Code Setting. It also displays device status information, reading results, diagnostic and network messages. Since it connects through the BM100 backup memory module, it provides access to Backup and Restore features through its Extended menu.

### Configuration Through DL.CODE

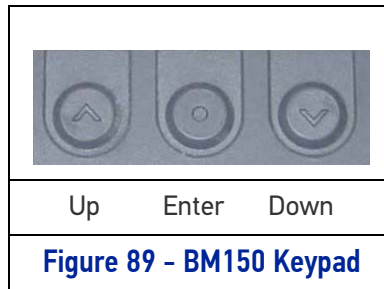
BM150 must be detected through the BM100 backup memory module at power-up/reset and this is done through a command setting in DL.CODE. By connecting the reader to DL.CODE the following parameters can be managed.

In the Device>Settings>Settings>Maintenance window:

- **Enable BM100 Detection**  
Checked (Enabled): the BM100 backup memory module will be detected on power-up/reset; therefore the BM150 display module (if present), will also be enabled.  
Unchecked (Disabled): the BM100 backup memory module will **not** be detected on power-up/reset; therefore the BM150 display module (if present), will also **not** be enabled.
- **BM150 Display Layout (Master Only)**  
Reading Mask Only: the Reading Mask screen is sent to the BM150 display.  
Reading Mask/Device State: the Reading Mask/Device State screen is sent to the BM150 display.

## Accessing the HMI Interface Through Keypad and Display Menu

Through its keypad and display, the BM150 provides a remote extension of the reader's HMI Interface. The HMI default menu items can be accessed as well as the View menu for Master devices and the Extended menu for Backup and Restore functions.



To enter the Main Menu press the **Up** and **Down** buttons simultaneously.

The menu structure is shown below.

### Main Menu

- **[Exit]** (exits HMI Interface menu)
- **Test Mode** (performs Test mode)
- **Focus/Locate** (performs Focus function: turns on LED pointer)
- **Calibration** (performs Setup function)
- **Code Setting** (performs Learn function)
- **Match Code Tra...** (Training: allows to read a code and store it as the Match code)

### View Menu (Master Only)

- **[Exit]** (returns to Main menu)
- **Standard** (displays the Standard Reading Results screen during run mode)
- **Reading Mask** (displays the Reading Mask or Reading Mask/Device State screen during run mode) depends on the selection in DL.CODE see par. Configuration Through DL.CODE.
- **Network State** (displays the Network State screen during run mode)

### Extended Menu

- **[Exit]** (returns to Main menu)
- **Backup** (performs Backup - uninterruptible)
- **Restore** (performs Restore - uninterruptible)
- **Erase** (erases the backup configuration in external memory - uninterruptible)

To move through the list press and release the **Up** or **Down** key.

To select an item or enter a submenu, press and release the **Enter** key. After executing an HMI function the display shows a result message and then automatically exits from the menu structure.

To exit a menu manually, press and release the **Enter** key at the [Exit] item or press the **Up** and **Down** buttons simultaneously.

To exit from a running HMI function, press the **Up** and **Down** buttons simultaneously. These functions will also exit upon their configured timeout.



**NOTE**

**When the HMI Interface is entered from either the Local Device (reader) or Remote Device (BM150), the key(s) on the other device are disabled.**



**NOTE**

**When the reader is connected to DL.CODE, access to the BM150 HMI Interface is disabled.**



**NOTE**

**The "Reset Reader to Factory Default Environment" function of the HMI Interface is only available on the local device (reader), and not on the BM150.**



## Display Messages

The following examples of Remote Display messages are given to help interpret the information reported. The content of these messages depends on the connected reader.

### Welcome Message

```
M M M M M M M M M M M M
K K K V V V V V V V V V R R R N N N
S N D D D D D D D D D
E T H A A A . A A A . A A A . A A A
```

- M = scanner model
- K = software – STD=Standard, SS =Special
- V = software version
- R = Device Network Type – MUL=Multidata, SYN=Synchronized, ALN=Alone
- N = Device Network Setting – M00=ID-NET Network Master, Sxx= ID-NET Network Slave address, Null string= Alone (no network)
- D = device serial number
- A = Ethernet IP Address

### Test Mode Results

```
A A A % Z Z Z Z Z Z Z Z Z Z Z Z Z Z Z Z Z Z
Z Z Z Z Z Z Z Z Z Z Z Z Z Z Z Z Z Z Z Z Z
Z Z Z Z Z Z Z Z Z Z Z Z Z Z Z Z Z Z Z Z Z
```

- A = reading percentage from 000 to 100%.
- Z = code content.

### Calibration (Setup) Results

```
E x p = X X X X
G a i n = G G
C a l i b r a t i o n
O K ( p e r m a n e n t )
```

- X = exposure value (in  $\mu$ s).
- G = gain value

### Code Setting (Learn) Results

```
X X X X X X X X X
C o d e S e t t i n g
O K ( p e r m a n e n t )
```

- X = recognized code symbology.

**Diagnostic Alarms**

Diagnostic error messages are sent to the BM150 display as numeric Alarm Codes (even if Failure Messages are selected for data transmission the numeric Alarm Code is sent to the display).

```
A l e r t      :
F a i l u r e      # X X X
R R R      N N N
```

X = numeric Alarm Code (see below for the list of Alarm Codes)  
 R = Device Network Type – MUL=Multidata, SYN=Synchronized, ALN=Alone  
 N = Device Network Setting – M00=ID-NET Network Master, Sxx= ID-NET Network Slave address, Null string= Alone (no network)

Alarm Code	Description
1	Slave No Reply
64	Slave Address Duplication
171	Protocol Index Failure
185	Backup Memory Communication Failure
187	Wrong Rotary Switch Selection
189	Fieldbus Communication Failure
191	Fieldbus Type Mismatch
193	Fieldbus Configuration Error
195	Fieldbus DHCP Problem
201	No XRF Slave(s) Detected

**Slave Node Alarms (Master only)**

```
A l e r t      : I D - N E T
N o d e # X X      M i s s i n g
R R R      M 0 0
```

X = slave node number (1-31)  
 R = Device Network Type – MUL=Multidata, SYN=Synchronized

**Network State (Master only)**

```
0      N e t w o r k      1 5
M S S S S S S S S S S S S S S
1 6      N e t w o r k      3 1
S S S S S S S S S S S S S S S
```

M = Master diagnostic condition; S = Slave diagnostic condition:  
 \* = scanner OK  
 - =scanner not detected at startup  
 ? =scanner detected at startup but not responding to diagnostic polling  
 ! = scanner diagnostic error

### Standard Reading Results

```

A A A A A A A A A A A A A
X X X X X X X X X X X X X X X X X X X X X
X X X X X X X X X X X X X X X X X X X X X
Y Y C o d e s
    
```

A = reading result – Good Read, Partial Read, Multiple Read

X = code content

Y = number of codes read

### Reading Mask Only (Master Only)

```

X X X X X X X X X X X X X X X X X X . . .
G Y Y Y % N Y Y Y % M Y Y Y % P Y Y Y %
S S S S S S S S S S S S S S S S
T T T T T T T T T T T T T T T T
    
```

X = code content (or "No Read" or "Multiple Read")

Y = Good Read, No Read, Multiple Read and Partial Read counters on the last 100 codes read (%)

S = Reading Mask for Stand Alone or Master plus Slave readers 1 - 15

(0 = No Read, 1 = Good Read, M = Multiple Read)

T = Reading Mask for Slave readers 16 - 31

(0 = No Read, 1 = Good Read, M = Multiple Read)

### Reading Mask/Device State (Master Only)

```

X X X X X X X X X X X X X X X X X X . . .
P = Y Y Y Y Y Y Y Y G R = Z Z Z . Z Z %
S S S S S S S S S S S S S S S S
U U U U U U U U U U U U U U U U
    
```

X = Recognized code label data (or "No Read" or "Multiple Read")

Y = Phase Counter (range: 0000000 to 9999999)

Z = Good Read or Multiple Read counters (%)

S = Reading Mask for Stand Alone or Master plus Slave readers 1 - 15

(0 = No Read, 1 = Good Read, M = Multiple Read)

U = Diagnostic condition for Stand Alone or Master plus Slave readers 1 - 15:

\* = reader OK

- = reader not detected at startup

? = reader detected at startup but not responding to diagnostic polling

! = reader diagnostic error

## BM150 Backup and Restore Procedure

The Backup and Restore functions are valid for any application layout type (point-to-point, network, etc.) using CBX500 connection boxes through the BM100 Backup module (required accessory for BM150 installation).

The Backup and Restore functions are managed through the BM150 display and keypad and therefore are disabled at the BM100 Backup/Restore button.

If it ever becomes necessary to replace the reading device, it can be quickly configured through the restore procedure.

BM150 provides complete backup and restore functions (Configuration and Environmental parameters) with the following difference:

For Single Readers or individual ID-NET Slaves:

- Backup and Restore functions provide parameter storage including all configuration jobs present on the reader.

For Master Readers in ID-NET Master/Slave networks:

- Backup and Restore functions provide parameter storage of only the Startup Configuration for the Master and all Slaves present in the network.



**For Master/Slave networks any other configurations (jobs) stored in the device memory will not be backed up. Therefore upon a restore, all jobs other than the startup configuration will be overwritten (erased). It is strongly recommended to save all configurations to backup files.**

The Slaves must always be configured with the same network baudrate as the Master for correct functioning including performing Backup and Restore procedures.

Backup and Restore functions cannot be interrupted once started.

### To perform *Backup*

1. Make sure the Write Protection switch on the BM100 is unlocked.
2. Select the **Backup** item from the Extended menu and press the Enter key.
3. When the procedure is complete a message appears on the display showing the results (**Backup OK 1 File Saved** or an error message).
4. Set the Write Protection switch to locked.

### To perform *Restore*

1. Select the **Restore** item from the Extended menu and press the Enter key.
2. When the procedure is complete a message appears on the display showing the results (**Restore OK 1 File Restored** or an error message).

# CHAPTER 8

## ILLUMINATORS

### STANDARD ILLUMINATORS

#### 14 LEDs Illuminator



14 LEDs MODELS AND LED CHAIN CONFIGURATION	
LIGHTS ON	LEDs COLOR
All Chains	White, Red, Blue
Central Chain	White, Red, Blue
Top/Bottom Chain	White, Red, Blue



Figure 90 - LED chains for 14 LEDs models

## 36 LEDs Illuminator



36 LEDs MODELS AND LED CHAIN CONFIGURATION	
LIGHTS ON	LEDs COLOR
All Chains	White, Red, Blue
Top Left	White, Red, Blue
Top Right	White, Red, Blue
Left	White, Red, Blue
Right	White, Red, Blue
Bottom Left	White, Red, Blue
Bottom Right	White, Red, Blue

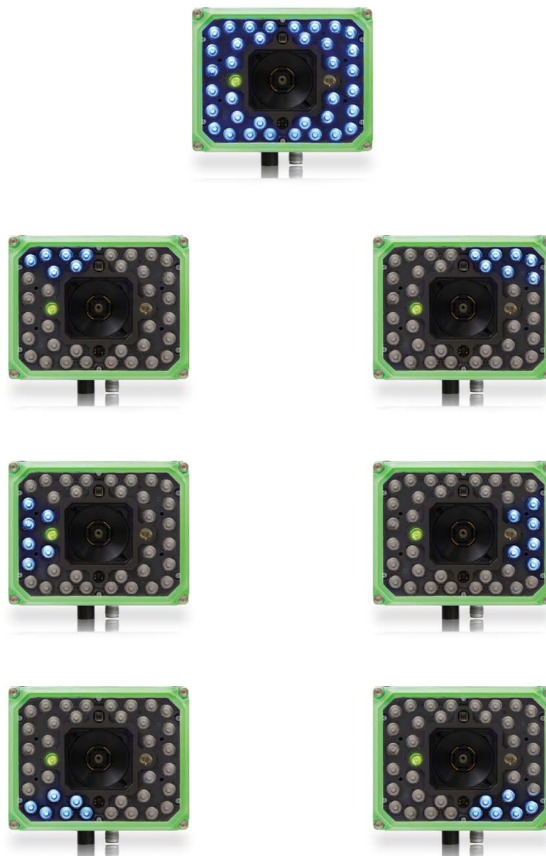


Figure 91 - LED chains for 36 LEDs models

## POLARIZER



**Figure 92 - Standard and polarizing cover for 14 (left) and 36 (right) LEDs models**

Matrix 320 also comes with a polarizing cover. This is the ideal solution to reduce hot spots on reflective surface applications, such as:

- DPM on reflective metal surfaces
- DPM on non-metal reflecting surfaces
- DPM on electronic circuit boards
- Glossy labels
- Labels under plastic films

By removing LED reflection, Matrix 320 with polarized illuminators features extreme mounting flexibility, as it can be mounted 90° to the target surface. This in turn avoids code distortion and allows more reliable code grading.



The following examples show the difference between codes read with and without polarizing filters:



DPM: Data Matrix on electronic components	
Non polarized	Polarized



DPM: Data Matrix and QR codes on metal surfaces	
Non polarized	Polarized
	
	
	



Bar Code under plastic film	
Non polarized	Polarized
	

Bar Code on glossy surfaces	
Non polarized	Polarized
	



If no polarized illuminator is used, the user may avoid LED reflections by turning on one or more sectors according to the code position in the reader's Field of View.

## DIRECT PART MARKING APPLICATIONS

For **Data Matrix** family codes the **Decoding Complexity** parameter is available when Processing Mode is set to Standard and selects the decoding algorithm based on the printing/marking technique used to create the symbol and on the overall printing/marking quality.

The possible selections progress from Low to Very High where Low can improve decoding time for good print/mark quality and/or relatively normal size codes. This is the default setting. Very High can improve the decode rate for low print/mark quality and/or small size codes. This algorithm is much more aggressive but in general it may have longer decoding times than the lower complexity algorithms. **To minimize decoding time it is better to select the lowest value that still guarantees good decoding.**



Washed out and Axial Distortion



Dot Peening On Scratched Surface



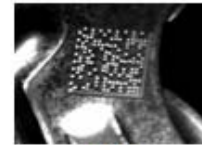
Low Contrast Problem



Background Problems



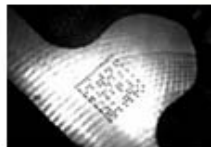
Marked On Curved Shiny Surface



Axial distortion



Half moon effects



Shiny surface, noisy background



Low contrast, noisy background

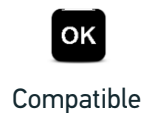
For **QR** codes the **Decoding Method** parameter allows the Dot Peen Decoding algorithm to be selected, which improves the decode rate for low quality Direct Part Mark codes and in general for Direct Part Mark codes with dot peening type module shapes.

# MATRIX 320 RECOMMENDED ILLUMINATION

In the following table these macro-cases are listed, each of them highlighting the most suitable Matrix 320 lighting system used to resolve the application with a Standard cover (STD.) with white/blue/red illuminator, a polarizer (PLZ.) with white/blue/red illuminator, and the LT-51x external red illuminator.

Application Characteristics	STD. cover with white ill.	STD. cover with blue ill.	STD. cover with red ill.	PLZ. cover with white ill.	PLZ. cover with blue ill.	PLZ. cover with red ill.	LT-51x ext. red ill.
Printed codes on opaque paper or labels having a flat surface							
Laser Etching or Ink Jet code marking on an opaque, flat surface having no evident machining flaws							
Code marking on an opaque, rough surface							
Code marking on a flat surface with evident machining flaws produced by machining tools							
Laser Etching or Dot Peening code marking on a flat, highly reflective surface							
Code marking on a curved background							
Red-printed code on white background							
Mixed color codes/background							
Havana background on cardboard							
Code under plastic film or glossy surface with 0 skew							

Legend:



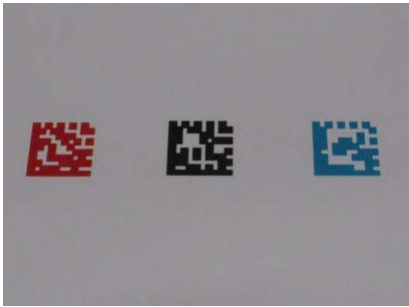
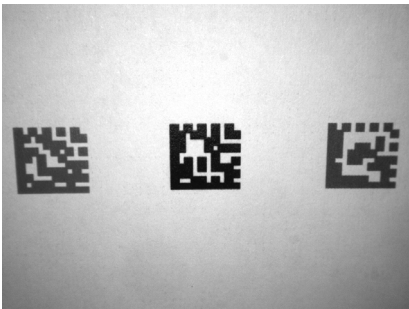
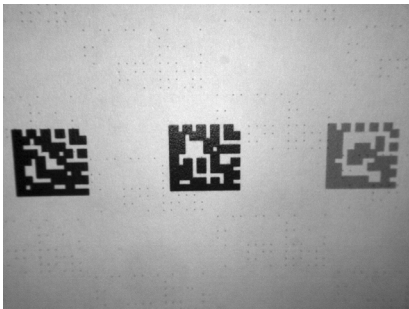
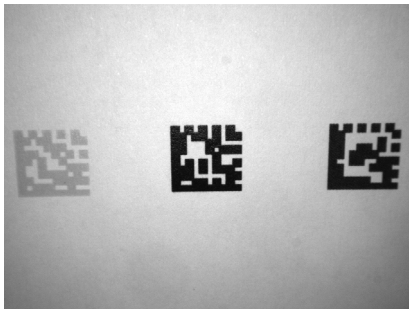
## Color Contrast Considerations

Matrix 320 models are available in White, Blue, and Red Light versions to help resolve applications that have colored codes and/or backgrounds.

The choice between the white, blue or red illuminator should be done in order to maximize the contrast between the code and its background; in general, a code illuminated with a light of the same color becomes brighter, on the other hand when illuminated with an opposite color it appears darker (see the Chromatic Circle Chart).



Consequently during the reading phase the lighting system changes the chromatic rendering of the target according to the color of the illuminator, modifying the contrast between target and background. See the examples below.

Color Photo of Codes			
			
Matrix 320 White Illuminator	Matrix 320 Blue Illuminator	Matrix 320 Red Illuminator	
			
Good contrast on all codes	Red code (left) has good contrast	Blue code (right) has low contrast	Red code (left) has very low contrast Blue code (right) has good contrast

Illumination Color	White	Blue	Red
Red-printed code on light background White-printed code on red background	OK		
Red-printed code on dark background Black-printed code on red background	OK		
Blue-printed code on light background White-printed code on blue background	OK		
Blue-printed code on dark background Black-printed code on blue background	OK		

**Legend:**



Suggested Lighting System



Compatible Lighting System



Lighting System Not Recommended



**The minimum and maximum DPM application distance is limited by both the lighting system working distance and the reader focus distance.**

**For example, the minimum application distance is limited by the reader minimum focus distance (35 mm for liquid lens models). The maximum application distance is limited by the smaller of the illuminator maximum working distance or the lens maximum focus distance. See also “Global FOV Diagrams” on page 92.**

# CHAPTER 9

## MAINTENANCE

---

### CLEANING

Clean the lens cover periodically for continued correct operation of the reader. See General View.

Dust, dirt, etc. on the lens cover may alter the reading performance.

Repeat the operation frequently in particularly dirty environments.

Use soft material and alcohol to clean the lens cover and avoid any abrasive substances. In particular, wipe it clean using a soft cloth and isopropyl alcohol.

# CHAPTER 10

## TROUBLESHOOTING

---

### GENERAL GUIDELINES

- When wiring the device, pay careful attention to the signal name (acronym) on the CBX100/500 spring clamp connectors ([Chapter 4, CBX Connection Box Pinout](#)). If you are connecting directly to the Matrix 320 M12 17-pin connector, pay attention to the pin number of the signals ([Appendix A](#), ).
- If you need information about a certain reader parameter you can refer to the DL.CODE help on line. Connect the device and click on the link to the parameter you're interested in.
- If you're unable to fix the problem and you're going to contact your local Datalogic office or Datalogic Partner or ARC, we suggest providing (if possible): Application Program version, Parameter Configuration file, Serial Number and Order Number of your reader. You can get most of this information while DL.CODE is connected to the reader.

Troubleshooting Guide	
Problem	Suggestion
<b>DL.CODE Installation:</b> Autorun or Start.hta doesn't run	Check Windows settings to see if Autorun is disabled. Associate the file type .hta with the Microsoft HTML Application host <b>mshsa.exe</b> in Windows\System32.
<b>Power ON:</b> the "POWER" LED is not lit.	Is power connected? If using a power adapter (like PG6000), is it connected to wall outlet? If using rail power, does rail have power? If using CBX, does it have power (check switch and LED)? Check if you are referring to the M12 17-pin connector or to the CBX spring clamp connectors. Measure Voltage either at pin <b>1</b> and pin <b>2</b> (for 17-pin connector) or at spring clamp <b>Vdc</b> and <b>GND</b> (for CBX).

Troubleshooting Guide	
Problem	Suggestion
<p><b>One Shot or Phase Mode using the Input 1 (External Trigger) or Input 2:</b> the "TRIGGER" LED is not blinking while the External Trigger is switching.</p>	<p>Check if you are referring to the 17-pin connector or to the CBX spring clamp connectors.</p> <p>Is the sensor connected to Input 1 or Input 2?</p> <p>Is power supplied to the photo sensor?</p> <p>For NPN configuration, is power supplied to one of the two I1 or I2 signals (A or B)?</p> <p>For PNP configuration, is one of the two I1 or I2 signals grounded (A or B)?</p> <p>Are the photo sensor LEDS (if any) working correctly?</p> <p>Is the sensor/reflector system aligned (if present)?</p> <p>On the Reading Phase step check the Input 1 or Input 2 <i>Debouncing Time</i> parameter setting.</p> <p>On the Reading Phase step check the settings for <i>Acquisition Trigger</i>, <i>Reading Phase-ON</i>, and <i>Reading Phase-OFF</i> parameters.</p>
<p><b>One Shot or Phase Mode using serial trigger source:</b> the "TRIGGER" LED is not blinking.</p>	<p>On the Reading Phase step check the settings for <i>Acquisition Trigger</i>, <i>Reading Phase-ON</i>, and <i>Reading Phase-OFF</i> parameters.</p> <p>Are the COM port parameters (<i>Baud Rate</i>, <i>Parity</i>, <i>Data Bits</i>, <i>Stop Bits</i>) correctly assigned?</p> <p>On the Reading Phase step check the settings of <i>Acquisition Trigger String</i>, <i>Reading Phase-ON String</i>, and <i>Reading Phase-OFF String</i> parameters.</p> <p>Is the serial trigger source correctly connected?</p>
<p><b>Phase Mode:</b> the "TRIGGER" LED is correctly blinking but no image is displayed in the DL.CODE window.</p>	<p>Is the Phase frequency lower than the maximum frame rate?</p>
<p><b>Continuous Mode:</b> the "TRIGGER" LED is not blinking.</p>	<p>Verify the correct software configuration settings.</p>
<p><b>Any Operating Mode:</b> the "TRIGGER" LED is correctly blinking but no result is transmitted by the reader at the end of the reading phase collection.</p>	<p>Check the Code Collection parameters on the Reading Phase step and the Data Formatting parameters on the Data Formatting step.</p>
<p><b>Image not clear:</b></p>	<p>verify the Focus procedure</p>
<p><b>Image focused but not decoded:</b></p>	<p>verify the Calibrate Image Density procedure.</p>



Troubleshooting Guide	
Problem	Suggestion
<p><b>Reading:</b> the reader always transmits the <i>No Read Message</i></p>	<p>Run the Rapid Configuration procedure in <a href="#">Chapter 1, Rapid Configuration</a>.</p> <p>Position the reader as described in "<a href="#">Mounting And Positioning Matrix 320</a>" on <a href="#">page 54</a> and through DL.CODE:</p> <p>Tune the Acquisition Delay on Trigger, if the moving code is out of the reader field of view;</p> <p>Set the Continuous Operating Mode if no external trigger source is available;</p> <p>Tune the Image Settings to improve the code image quality;</p> <p>Check the parameter settings in the Advanced Setup step: 2D Codes, 1D Codes, and Postal Codes;</p> <p>View the full resolution code image to check the printing or marking quality.</p>
<p><b>Communication:</b> reader is not transmitting anything to the host.</p>	<p>Is the serial cable wiring correct?</p> <p>If using CBX, be sure the RS422 termination switch is OFF.</p> <p>Are the host serial port settings the same as the reader serial port settings?</p> <p>In DL.CODE Device menu &gt; Settings &gt; Settings &gt; LED Configuration, the COM LED Function can be configured to indicate Main Serial Port TX or Main Serial Port RX.</p>
<p><b>Communication:</b> data transferred to the host are incorrect, corrupted or incomplete.</p>	<p>Are the host serial port settings the same as the reader serial port settings?</p> <p>In the DL.CODE Data Formatting step check the settings of Header and Terminator String parameters.</p> <p>In the DL.CODE Data Formatting step, check the various Message Field parameter settings.</p>
<p><b>Configuration:</b> cannot access environment parameters in DL.CODE (Device&gt;Settings&gt;Settings menu item is gray)</p>	<p>Are you using the Installer - Expert User level? If not change it in the Options&gt;Change User menu.</p>
<p><b>How do I obtain my reader Serial Number?</b></p>	<p>The reader Serial Number consists of 9 characters: one letter, 2 numbers, another letter followed by 5 numbers.</p> <p>The reader Serial Number is printed on a label that is affixed to the case or connector block of the reader.</p> <p>The Serial Number is also visible from the DL.CODE Device List Area.</p>
<p><b>How do I obtain my reader Order Number?</b></p>	<p>The reader Order Number consists of 9 numbers.</p> <p>The reader Order Number can be obtained by comparing the Device Model (in DL.CODE Device Menu &gt; Settings &gt; Settings &gt; About Device) with the product models page on the Datalogic website.</p>

# APPENDIX A

## TECHNICAL FEATURES

ELECTRICAL FEATURES	
<b>Power</b>	
Supply Voltage	24 Vdc $\pm$ 10%
Consumption (including accessory internal illuminator)	14 LEDs model: 0.42 A, 10 W max. 36 LEDs model: 0.62 A, 15 W max.
<b>Communication Interfaces</b>	
Main: RS232, RS422 Full-duplex	2400 to 115200 bit/s
Auxiliary: RS232	2400 to 115200 bit/s
<b>ID-NET</b>	
Ethernet (Built-in) supported application protocols	10/100/1000 Mbit/s TCP/IP, UDP, FTP, EtherNet/IP, Modbus TCP, PROFINET-IO
<b>Inputs</b>	
Input 1 (External Trigger) and Input 2	Opto-coupled and polarity insensitive
Max. Voltage	30 Vdc
Max. Input Current	10 mA
<b>Outputs <sup>a</sup></b>	
Output 1, 2 and 3	NPN, PNP, or PP short circuit protected;
$V_{OUT}$ ( $I_{LOAD} = 0$ mA) Max.	24 Vdc
$V_{OUT}$ ( $I_{LOAD} = 100$ mA) Max.	3 Vdc
$I_{LOAD}$ Max.	100 mA

- a. when connected to the CBX connection boxes the electrical features for Output 1 and 2 become the following:

Opto-isolated;  $V_{CE} = 30$  Vdc max.;  $I_{CE} = 40$  mA continuous max.; 130 mA pulsed max.;

$V_{CE\ saturation} = 1$  Vdc max. @ 10 mA;  $P_D = 90$  mW Max. @ 50 °C ambient temp.

OPTICAL FEATURES		
	Matrix 320 with 14 LEDs illuminator	Matrix 320 with 36 LEDs illuminator
Image Sensor	CMOS	
Image Format	2.0 Mpixel (1920 x 1080)	
Frame Rate	60 frames/s	
Pitch	± 35°	
Tilt	0° - 360°	
LED Safety	according to EN 62471	
Lenses	Liquid Lenses	
Lighting System	Internal Illuminator (14 or 36 LEDs)	
Aperture Angle	34° for Liquid Lens 9mm / 20° for Liquid Lens 16mm	
Reading Range	min. 35 mm max. 1000 mm	min. 70 mm max. 1500 mm
Illumination	Internal illuminators with blue, red, white lights	
Aiming System	Laser cross red projection aiming	
Polarizing Filter	Polarizing cover accessory	

ENVIRONMENTAL FEATURES	
Operating Temperature <sup>a</sup>	0 to 45 °C (32 to 113 °F)
Storage Temperature	-20 to 70 °C (-4 to 158 °F)
Max. Humidity	90% non condensing
Vibration Resistance EN 60068-2-6	14 mm @ 2 to 10 Hz; 1.5 mm @ 13 to 55 Hz; 2 g @ 70 to 500 Hz; 2 hours on each axis
Bump Resistance EN 60068-2-29	30g; 6 ms; 5000 shocks on each axis
Shock Resistance EN 60068-2-27	30g; 11 ms; 3 shocks on each axis
Protection Class <sup>b</sup> EN 60529	IP65 and IP67

a. high ambient temperature applications should use metal mounting bracket and the heat sink provided in the package for heat dissipation.

b. when correctly connected to IP67 cables with seals and the Lens Cover is correctly mounted.

PHYSICAL FEATURES		
	Matrix 320 with 14 LEDs illuminator	Matrix 320 with 36 LEDs illuminator
<b>Dimensions</b> (with lens cover) <b>Connector at 0°</b>	H x W x L  109 x 54 x 56 mm (4.3 x 2.1 x 2.2 in)	H x W x L  116 x 126 x 70 mm (4.6 x 4.9 x 2.8 in)
<b>Connector at 90°</b>	88 x 54 x 76 mm (4.3 x 2.2 x 2.1 in)	101 x 126 x 91 mm (4.6 x 4.9 x 2.8 in)
<b>Weight</b> (with lens and internal illuminator)	380 g (13.4 oz)	640 g (22.6 oz)
<b>Material</b>	Aluminum	

SOFTWARE FEATURES		
Readable Code Symbologies		
1D and Stacked	2D	Postal
PDF417 Standard and Micro PDF417 Code 128 (GS1-128) Code 39 (Standard and Full ASCII) Code 32 MSI Standard 2 of 5 Matrix 2 of 5 Interleaved 2 of 5 Codabar Code 93 Pharmacode EAN-8/13 - UPC-A/E (including Addon 2 and Addon 5) GS1 DataBar Family Composite Symbologies	Data Matrix ECC 200 (Standard, GS1 and Direct Marking) QR Code (Standard and Direct Marking) Micro QR Code MAXICODE Aztec Code DotCode	Australia Post Royal Mail 4 State Customer Kix Code Japan Post PLANET POSTNET POSTNET (+BB) Intelligent Mail Swedish Post
<b>Operating Mode</b>	Continuous, One Shot, Phase Mode, PackTrack	
<b>Configuration Methods</b>	X-PRESS Human Machine Interface DL.CODE Windows-based SW (Ethernet or Serial interface) Serial Host Mode Programming sequences	
<b>Parameter Storage</b>	Permanent memory (Flash)	

---

## CODE QUALITY METRICS

Standard	Supported Symbologies
ISO/IEC 16022 (always enabled)	Data Matrix ECC 200
ISO/IEC 18004 (always enabled)	QR Code
AIM DPM	Data Matrix ECC 200, QR Code
ISO/IEC 15416	Code 128, Code 39, Interleaved 2 of 5, Codabar, Code 93, EAN-8-13, UPC-A/E

## USER INTERFACE

<b>LED Indicators</b>	Power, Ready, Good; Trigger; Com, Status, (Ethernet Network); Good Read (Green Spot)
<b>Keypad Button</b>	Configurable via DL.CODE

# APPENDIX B

## ALTERNATIVE CONNECTIONS

The connector pinouts and notes given in this appendix are for custom cabling applications.

### POWER, COM AND I/O CONNECTOR FOR STANDARD MODELS

The Matrix 320 reader is equipped with an M12 17-pin male connector for connection to the power supply, serial interfaces, and input/output signals. The details of the connector pins are indicated in the following table:

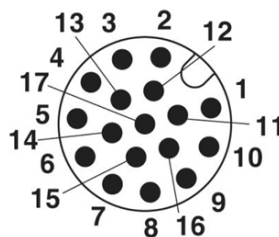


Figure 1 - M12 17-pin male Power, COM and I/O Connector

POWER, COM AND I/O CONNECTOR PINOUT			
PIN	NAME	DESCRIPTION	
1	Vdc	Power supply input voltage +	
2	GND	Power supply input voltage -	
Connector case	CHASSIS	Connector case provides electrical connection to the chassis	
6	I1A	External Trigger A (polarity insensitive)	
5	I1B	External Trigger B (polarity insensitive)	
13	I2A	Input 2 A (polarity insensitive)	
3	I2B	Input 2 B (polarity insensitive)	
9	O1	Output 1 *	(NPN, PNP or PP short circuit protected and software programmable)
8	O2	Output 2 *	
16	O3	Output 3	
14	RX	Auxiliary RS232 RX	
4	TX	Auxiliary RS232 TX	
7	ID+	ID-NET network data +	
15	ID-	ID-NET network data -	

POWER, COM AND I/O CONNECTOR PINOUT			
PIN	NAME	DESCRIPTION	
		RS232	RS422 Full-Duplex
17	Main Interface (SW Selectable)	TX	TX+
11		RX	RX+ **
12		-	TX-
10		-	*RX-

\* Output 1 and Output 2 are opto-coupled when using a CBX.

\*\* Do not leave floating, see "RS422 Full Duplex Interface" on page 65 for connection details.

In order to meet EMC requirements:

- connect the reader chassis to the plant earth ground by means of a flat copper braid shorter than 100 mm;
- connect your cable shield to the locking ring nut of the connector.

## ON-BOARD ETHERNET CONNECTOR

An M12 X-Coded female connector is provided for the on-board Ethernet connection. This interface is IEEE 802.3 10 BaseT and IEEE 802.3u 100 BaseTx compliant.

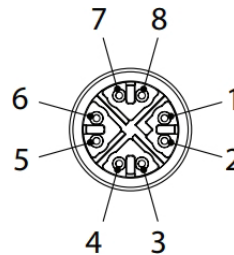


Figure 2 - M12 X-Coded Female Ethernet Network Connector

ON-BOARD ETHERNET NETWORK CONNECTOR PINOUT		
PIN	NAME	DESCRIPTION
1	DA+	Bidirectional data DA+
2	DA-	Bidirectional data DA-
3	DB+	Bidirectional data DB+
4	DB-	Bidirectional data DB-
5	DD+	Bidirectional data DD+
6	DD-	Bidirectional data DD-
7	DC-	Bidirectional data DC-
8	DC+	Bidirectional data DC+

## ID-NET NETWORK TERMINATION

The network must be properly terminated by a 120 Ohm resistor at the first and last reader of the network.

## INPUTS

There are two opto-coupled polarity insensitive inputs available on the M12 17-pin connector of the reader: Input 1 (External Trigger) and Input 2, a generic input. See "Inputs" on page 72 for more details.

The electrical features of both inputs are:

INPUT	$ V_{AB} $ MIN.	$ V_{AB} $ MAX.	$I_{IN}$ MAX.
Open	0 V	2 V	0 mA
Closed	4.5 V	30 V	10 mA

The relative pins on the M12 17-pin connector are:

INPUT PINOUT		
PIN	NAME	DESCRIPTION
1	Vdc	Power Supply input voltage +
6	I1A	External Trigger A (polarity insensitive)
5	I1B	External Trigger B (polarity insensitive)
13	I2A	Input 2 A (polarity insensitive)
3	I2B	Input 2 B (polarity insensitive)
2	GND	Power Supply input voltage -

## OUTPUTS

Three general purpose **non opto-isolated** but short circuit protected outputs are available on the M12 17-pin connector.

The pinout is the following:

OUTPUT PINOUT		
PIN	NAME	DESCRIPTION
9	O1	Configurable digital output 1
8	O2	Configurable digital output 2
16	O3	Configurable digital output 3
2	GND	Output reference signal



### NOTE

**Output 1 and Output 2 are opto-coupled when using a CBX.**

The electrical features of the three outputs are the following:

Reverse-Polarity and Short-Circuit Protected  
 $V_{OUT}$  ( $I_{LOAD} = 0$  mA) max = 30 Vdc  
 $V_{OUT}$  ( $I_{LOAD} = 100$  mA) max = 3 Vdc  
 $I_{LOAD}$  max = 100 mA



The output signals are fully programmable being determined by the configured Activation/Deactivation events, Deactivation Timeout or a combination of the two. For further details refer to the Help On Line page for the Output Setup step in DL.CODE.

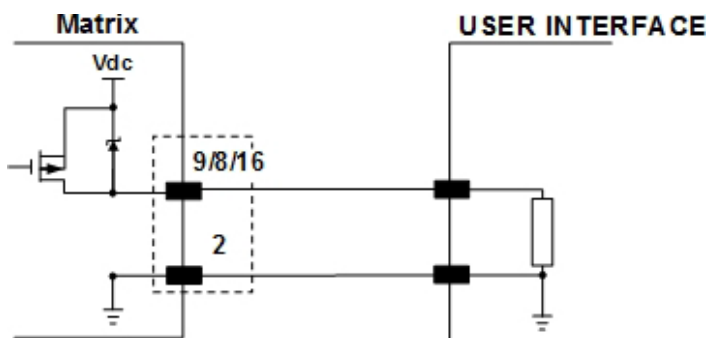


Figure 3 - PNP Output Connection

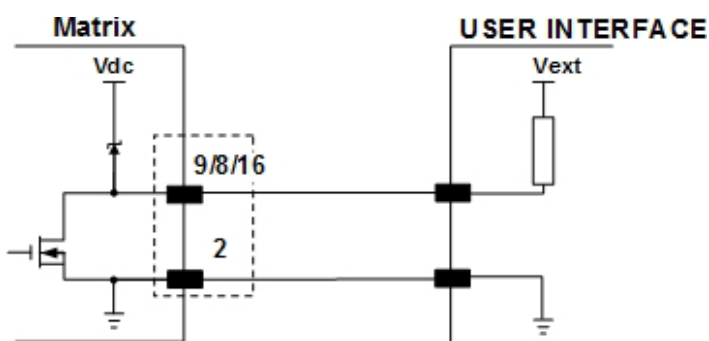


Figure 4 - NPN Output Connection



For NPN output connections, the external interface voltage ( $V_{ext}$ ) must not exceed the Matrix 320 power supply source voltage ( $V_{dc}$ ) otherwise correct output functioning cannot be guaranteed.

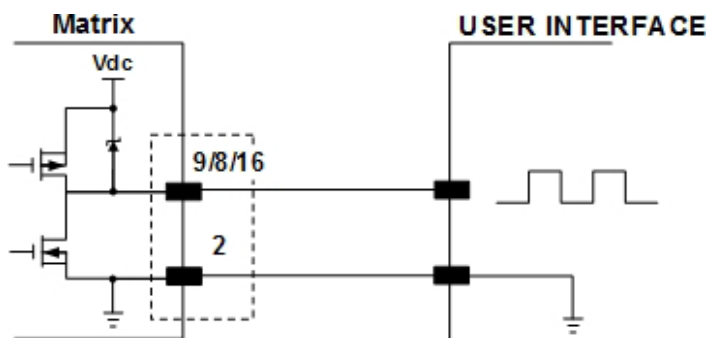
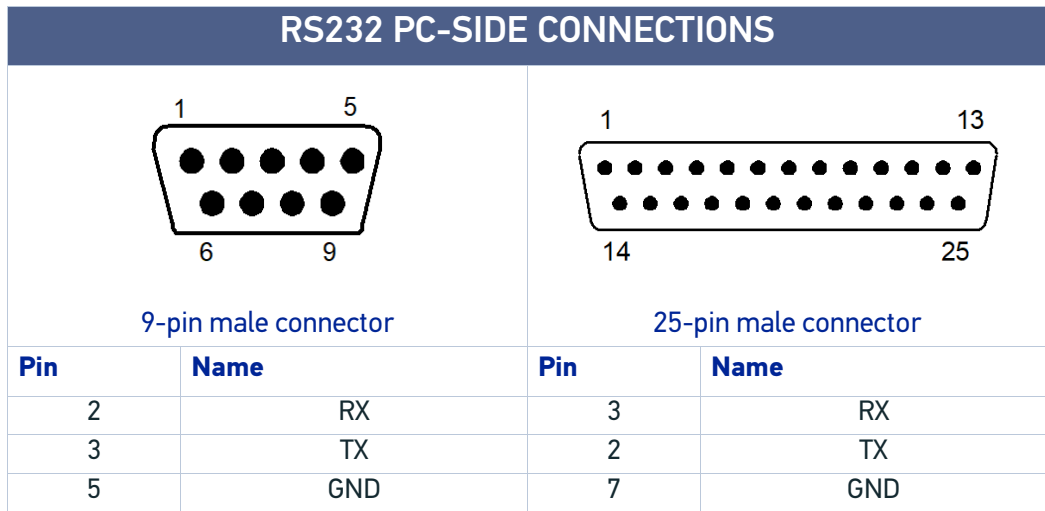


Figure 5 - Push-Pull Output Connection

# USER INTERFACE - SERIAL HOST



### How To Build A Simple Interface Test Cable

The following wiring diagram shows a simple test cable including power, external (push-button) trigger and PC RS232 COM port connections.

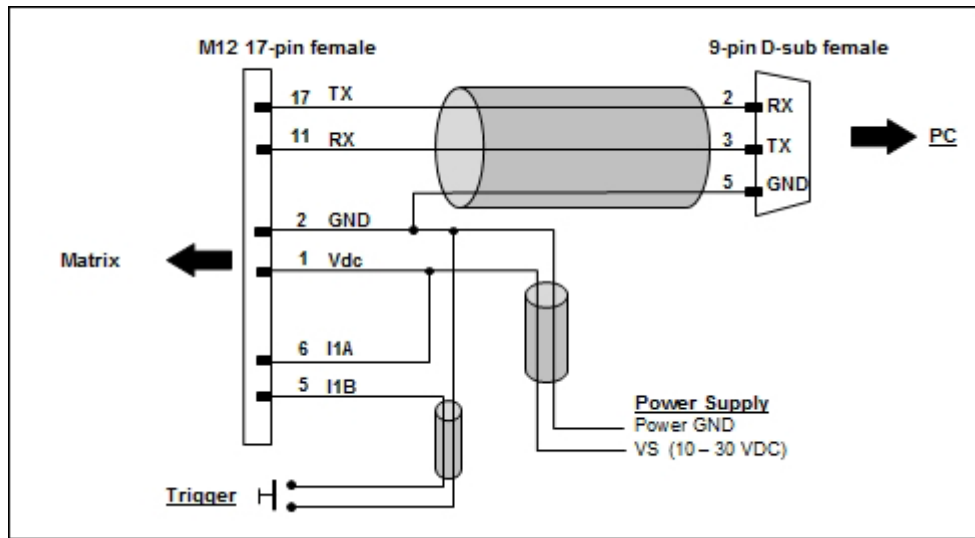


Figure 6 - Test Cable

# GLOSSARY

---

## **AIM**

(Association for Automatic Identification and Mobility): AIM Global is the international trade association representing automatic identification and mobility technology solution providers.

## **AIM DPM Quality Guideline**

Standard applicable to the symbol quality assessment of direct part marking (DPM) performed in using two-dimensional bar code symbols. It defines modifications to the measurement and grading of several symbol quality parameters.

## **Barcodes (1D Codes)**

A pattern of variable-width bars and spaces which represents numeric or alphanumeric data in machine-readable form. The general format of a barcode symbol consists of a leading margin, start character, data or message character, check character (if any), stop character, and trailing margin. Within this framework, each recognizable symbology uses its own unique format.

## **BIOS**

Basic Input Output System. A collection of ROM-based code with a standard API used to interface with standard PC hardware.

## **Bit**

Binary digit. One bit is the basic unit of binary information. Generally, eight consecutive bits compose one byte of data. The pattern of 0 and 1 values within the byte determines its meaning.

## **Bits per Second (bps)**

Number of bits transmitted or received per second.

## **Bright Field Illumination**

Lighting of surfaces at high (narrow) angles used to provide maximum reflection of the light to the reader's lens. This is effective on surfaces that absorb light or are not highly reflective and also on low contrast codes.

## **Byte**

On an addressable boundary, eight adjacent binary digits (0 and 1) combined in a pattern to represent a specific character or numeric value. Bits are numbered from the right, 0 through 7, with bit 0 the low-order bit. One byte in memory can be used to store one ASCII character.

## **Composite Symbologies**

Consist of a linear component, which encodes the item's primary data, and an adjacent 2D composite component, which encodes supplementary data to the linear component.

**Dark Field Illumination**

Lighting of surfaces at wide angles used to avoid direct reflection of the light into the reader's lens. Typically this type of lighting is used in DPM solutions to enhance reflectance of the uneven surface due to the symbol marking technique. It is also used with very reflective surfaces.

**Decode**

To recognize a barcode symbology (*e.g.*, Codabar, Code 128, Code 3 of 9, UPC/EAN, etc.) and analyze the content of the barcode scanned.

**Depth of Field**

The difference between the minimum and the maximum distance of the object in the field of view that appears to be in focus.

**Diffused Illumination**

Distributed soft lighting from a wide variety of angles used to eliminate shadows and direct reflection effects from highly reflective surfaces.

**Direct Part Mark (DPM)**

A symbol marked on an object using specific techniques like dot peening, laser etching, chemical etching, etc.

**EEPROM**

Electrically Erasable Programmable Read-Only Memory. An on-board non-volatile memory chip.

**Element**

The basic unit of data encoding in a 1D or 2D symbol. A single bar, space, cell, dot.

**Exposure Time**

For digital cameras based on image sensors equipped with an electronic shutter, it defines the time during which the image will be exposed to the sensor to be acquired.

**Flash**

Non-volatile memory for storing application and configuration files.

**Host**

A computer that serves other terminals in a network, providing services such as network control, database access, special programs, supervisory programs, or programming languages.

**Image Processing**

Any form of information processing for which the input is an image and the output is for instance a set of features of the image.

**Image Resolution**

The number of rows and columns of pixels in an image. The total number of pixels of an image sensor.

**Image Sensor**

Device converting a visual image to an electric signal. It is usually an array of CCD (Charge Coupled Devices) or CMOS (Complementary Metal Oxide Semiconductor) pixel sensors.

---

## **IEC**

(International Electrotechnical Commission): Global organization that publishes international standards for electrical, electronic, and other technologies.

## **IP Address**

The terminal's network address. Networks use IP addresses to determine where to send data that is being transmitted over a network. An IP address is a 32-bit number referred to as a series of 8-bit numbers in decimal dot notation (e.g., 130.24.34.03). The highest 8-bit number you can use is 254.

## **ISO**

(International Organization for Standardization): A network of the national standards institutes of several countries producing world-wide industrial and commercial standards.

## **LED (Light Emitting Diode)**

A low power electronic light source commonly used as an indicator light. It uses less power than an incandescent light bulb but more than a Liquid Crystal Display (LCD).

## **LED Illuminator**

LED technology used as an extended lighting source in which extra optics added to the chip allow it to emit a complex radiated light pattern.

## **Matrix Symbologies (2D Codes)**

An arrangement of regular polygon shaped cells where the center-to-center distance of adjacent elements is uniform. Matrix symbols may include recognition patterns which do not follow the same rules as the other elements within the symbol.

## **Multi-row (or Stacked) Symbologies**

Symbologies where a long symbol is broken into sections and stacked one upon another similar to sentences in a paragraph.

## **RAM**

Random Access Memory. Data in RAM can be accessed in random order, and quickly written and read.

## **Symbol Verification**

The act of processing a code to determine whether or not it meets specific requirements.

## **Transmission Control Protocol/Internet Protocol (TCP/IP)**

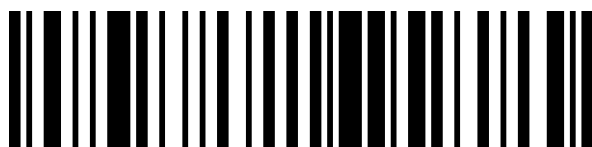
A suite of standard network protocols that were originally used in UNIX environments but are now used in many others. The TCP governs sequenced data; the IP governs packet forwarding. TCP/IP is the primary protocol that defines the Internet.

© 2020 Datalogic S.p.A. and /or its affiliates • All rights reserved • Without limiting the rights under copyright, no part of this documentation may be reproduced, stored in or introduced into a retrieval system, or transmitted in any form or by any means, or for any purpose, without the express written permission of Datalogic S.p.A. and/or its affiliates • Datalogic and the Datalogic logo are registered trademarks of Datalogic S.p.A. in many countries, including the U.S. and the E.U.

 **DATALOGIC**  
[www.datalogic.com](http://www.datalogic.com)

**Datalogic S.r.l.**

Via S. Vitalino, 13 | 40012 Calderara di Reno | Bologna - Italy  
Tel. +39 051 3147011 | Fax +39 051 3147205



821007020

(Rev A)

December 2020