



Printer 802.11 Radio Interface Kit

For PX4ie, PX6ie

Installation Guide

Introduction

The 802.11 radio interface enables 802.11 wireless functionality on the PX4ie and PX6ie printers.

This manual describes how to install the 802.11 radio interface on the PX4ie and PX6ie printers.

Contents

- SDIO board assembly
- Antenna and Antenna cable assembly
- M3x8mm screw
- Cable tie (2)

Requirements

- A #T10 and a #T20 Torx screwdriver
- Small screwdriver
- Small wrench

Installing the 802.11 Interface



Warning: The installation described in this section must only be performed by an authorized service technician. Honeywell assumes no responsibility for personal injury or damage to the equipment if the installation is performed by an unauthorized person.



Follow ESD Procedures

Follow standard ESD guidelines to avoid damaging the equipment.



Warning: Before you begin, turn off the printer and disconnect the power cord and communication cables.

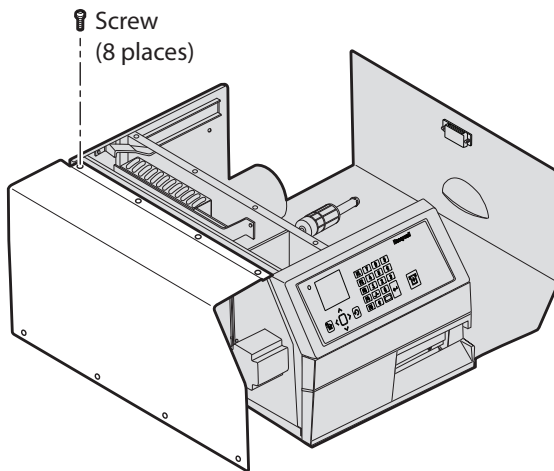
Note: This procedure applies to both the PX4ie and PX6ie. For simplicity, the PX4ie is depicted in the illustrations.



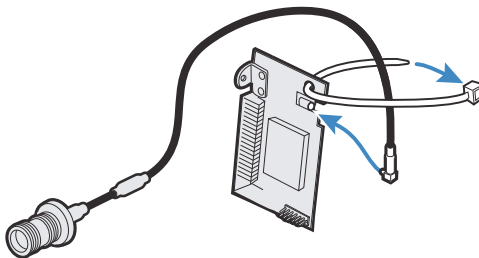
Warning: The electronic compartment contains wires and components with dangerous voltage (up to 380V). Make sure that the printer is switched off and the power cord is disconnected before the cover is removed.

To install,

1. Use a #10 Torx screwdriver to remove the eight screws that secure the electronics cover.

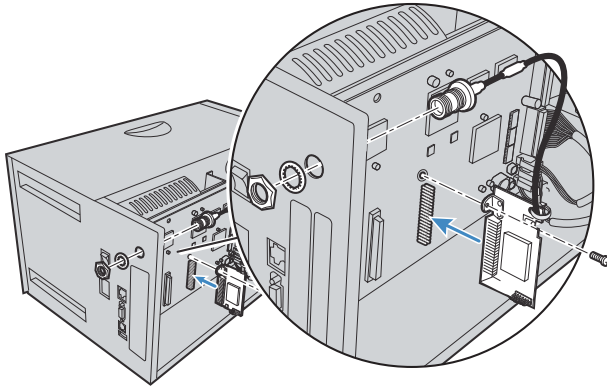


2. Put the cover aside on a soft cloth to avoid scratches.
3. Insert the antenna cable into the antenna cable jack on the SDIO board assembly.

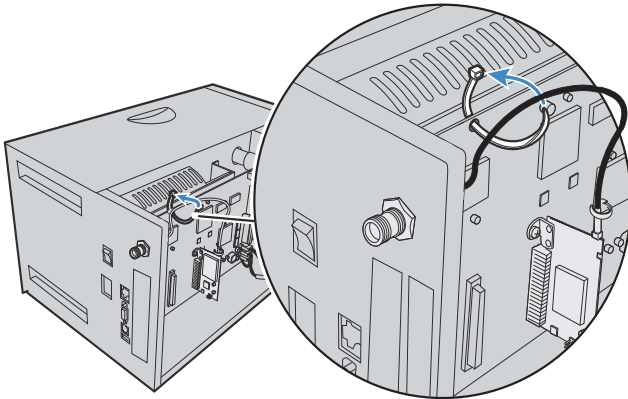


4. Secure the antenna cable to the SDIO board assembly with a cable tie. Note the location of the head of the cable tie.

- Trim the excess from the cable tie.



- Insert the SDIO board assembly into the 44-pin connector.
- Secure the SDIO board assembly with the M3x8mm screw that shipped with the kit.
- Install the other end of the antenna cable on the back plate and tighten the nut.



- Use the other cable tie to secure the antenna cable to the printer.
- Trim the excess from the cable tie.
- Close the printer.
- Connect the antenna to the antenna connector on the back plate.
- Affix the labels to the appropriate locations on the printer.

Support

To search our knowledge base for a solution or to log into the Technical Support portal and report a problem, go to www.hsmcontactsupport.com.

Documentation

Product documentation is available at www.honeywellaidc.com.

Limited Warranty

For warranty information, go to www.honeywellaidc.com and click **Resources > Product Warranty**.

Patents

For patent information, see www.hsmpats.com.

Disclaimer

Honeywell International Inc. (“HII”) reserves the right to make changes in specifications and other information contained in this document without prior notice, and the reader should in all cases consult HII to determine whether any such changes have been made. The information in this publication does not represent a commitment on the part of HII.

HII shall not be liable for technical or editorial errors or omissions contained herein; nor for incidental or consequential damages resulting from the furnishing, performance, or use of this material. HII disclaims all responsibility for the selection and use of software and/or hardware to achieve intended results.

This document contains proprietary information that is protected by copyright. All rights are reserved. No part of this document may be photocopied, reproduced, or translated into another language without the prior written consent of HII.

Copyright © 2009-2020 Honeywell International Inc. All rights reserved.